



**Heated cupboard
7518.0005 - 7518.0010**

User Manual
Gebruikershandleiding
Gebrauchsanweisung
Le mode d'emploi



CONTENT

ENGLISH

1. General information	4
1.1 Information about the instruction manual	4
1.2 Key to symbols	4
1.3 Liability and Warrantees	4
1.4 Copyright protection	5
1.5 Declaration of conformity	5
2. Safety	5
2.1 General Information	5
2.2 Safety instructions for use of the device.....	5
2.3 Intended use	6
3. Transport, packaging and storage	6
3.1 Delivery check.....	6
3.2 Packaging	6
3.3 Storage.....	6
4. Technical data	7
5. Installation and operation.....	7
5.1 Safety instructions	7
5.2 Installation and connection	8
5.3 Operating	8
6. Cleaning and maintenance	9
6.1 Safety advice	9
6.2 Cleaning	9
6.3 Safety instructions for maintenance	9
7. Waste disposal	9

NEDERLANDS

1. Algemeen	10
1.1 Informatie over de gebruiksaanwijzing.....	10
1.2 Symboolverklaring	10
1.3 Aansprakelijkheid en vrijwaring.....	10
1.4 Auteursrecht	11
1.5 Verklaring van Conformiteit.....	11
2. Veiligheid	11
2.1 Algemeen	11
2.2 Aanwijzingen voor de veiligheid bij het gebruik van het apparaat	11
2.3 Reglementair gebruik.....	12
3. Transport, verpakking en bewaring	12
3.1 Controle bij aflevering.....	12
3.2 Verpakking	12
3.3 Bewaring	13
4. Technische gegevens.....	13
5. Installatie en bediening.....	13
5.1 Veiligheidsvoorschriften	13
5.2 Installatie en Aansluiting.....	14
5.3 Bediening	14
6. Reiniging en onderhoud.....	15
6.1 Veiligheidsvoorschriften	15
6.2 Reiniging	15
6.3 Veiligheidsvoorschriften voor onderhoud	15
7. Verwijderen	16

DEUTSCH

1. Allgemeines	17
1.1 Informationen zur Bedienungsanleitung	17
1.2 Symbolerklärung	17
1.3 Haftung und Gewährleistung	17
1.4 Urheberschutz	18
1.5 Konformitätserklärung	18
2. Sicherheit	18
2.1 Allgemeines	18
2.2 Sicherheitshinweise für die Nutzung des Gerätes	18
2.3 Bestimmungsgemäße Verwendung	19
3. Transport, Verpackung und Lagerung	19
3.1 Transportinspektion	19
3.2 Verpackung	19
3.3 Lagerung	19
4. Technische Daten	20
5. Installation und Bedienung	20
5.1 Sicherheitshinweise	20
5.2 Aufstellen und Anschließen	20
5.3 Bedienung	21
6. Reinigung und Wartung	22
6.1 Sicherheitshinweise	22
6.2 Reinigung	22
6.3 Sicherheitshinweise zur Wartung	22
7. Entsorgung	22

FRANÇAIS

1. Généralités	23
1.1 Informations concernant la notice d'utilisation	23
1.2 Explication des symboles	23
1.3 Responsabilité et garantie	23
1.4 Protection des droits d'auteur	24
1.5 Déclaration de conformité	24
2. Sécurité	24
2.1 Généralités	24
2.2 Consignes de sécurité relatives à l'usage de l'appareil	24
2.3 Utilisation conforme	25
3. Transport, emballage et stockage	25
3.1 Inspection suite au transport	25
3.2 Emballage	25
3.3 Stockage	26
4. Caractéristiques techniques	26
5. Installation et utilisation	26
5.1 Consignes de sécurité	26
5.2 Installation et branchement	27
5.3 Utilisation	27
6. Nettoyage et maintenance	28
6.1 Consignes de sécurité	28
6.2 Nettoyage	28
6.3 Consignes de sécurité relatives à la maintenance	29
7. Elimination des éléments usés	29
Exploded view	30
Dimensions / Afmetingen / Abmessungen	34

1. General information

1.1 Information about the instruction manual

This instruction manual contains information about the installation, operation and maintenance of the device and should be consulted as an important source of information and reference guide.

Awareness of the safety instructions and instructions for use in this manual will ensure the safe and correct use of the device.

In addition to the information given here, you should comply with any local Health and safety Controls and generally applicable safety regulations.

The instruction manual forms part of the product and should be kept near the device and easily accessible for anyone carrying out the installation, servicing, maintenance or cleaning.

1.2 Key to symbols

In this manual, symbols are used to highlight important safety instructions and any advice relating to the device. The instructions should be followed very carefully to avoid any risk of accident, personal injury or material damage.



WARNING!

This symbol highlights hazards, which could lead to injury.

Please follow the instructions very carefully and proceed with particular attention in these cases.



WARNING! Electrical hazard!

This symbol draws attention to potential electrical hazards. If you do not follow the safety instructions, you may risk injury or death.



CAUTION!

This symbol highlights instructions, which should be followed to avoid any risk of damage, malfunctioning and/or breakdown of the device.



NOTE!

This symbol highlights tips and information, which have to be followed for an efficient and trouble-free operation of the device.



WARNING! Hot external surface!

This symbol is a warning that the unit surface is hot when in use. Ignoring this warning may result in burns!

1.3 Liability and Warrantees

All the information and instructions in this manual take into account standard safety regulations, current levels of technical engineering as well as the expertise and experience we have developed over the years.

The instruction manual was translated with all due care and attention. However, we do not accept liability for any translation errors. The German version of this instruction manual is definitive.

If the delivery consists of a special model, the actual scope of delivery may differ from the descriptions and illustrations in this manual. This is also the case for special orders or when the device has been modified in line with new technology. If you have any questions, you should contact the manufacturer.



NOTE!

Read the instruction manual carefully before using the device. The manufacturer does not accept liability for any damage or malfunction resulting from not following the instructions for use.

The instruction manual should be kept near the device, easily accessible for anyone wishing to work with or using it. We reserve the right to make technical changes for purposes of developing and improving the useful properties.

1.4 Copyright protection

The instruction manual including any texts, drawings, images or other illustrations is copyright. No part of this publication may be reproduced, transmitted or used in any form or by any means without permission in writing from the manufacturer. Any person who commits any unauthorized act in relation to this publication shall be liable to claims for damages. All rights reserved.



NOTE!

The contents, texts, drawings, pictures and any other illustrations are copyright and subject to other protection rights. Any person unlawfully using this publication is liable to criminal prosecution.

1.5 Declaration of conformity

The device complies with the current standards and directives of the EU.

We certify this in the EC declaration of conformity.

If required we will be glad to send you the according declaration of conformity.

2. Safety

This section provides an overview of all important safety aspects.

In addition every chapter provides precise safety advice for the prevention of dangers which are highlighted by the use of the above mentioned symbols.

Furthermore, attention should be paid to all pictograms, markers and labels on the device, which must be kept in a permanent state of legibility.

By following all the important safety advice you gain an optimal protection against all hazards as well as the assurance of a safe and trouble-free operation.

2.1 General Information

This device is designed in accordance with the presently applicable technological standards. However, the device can pose a danger if handled improperly and inappropriately.

Knowing the contents of the instruction manual as well as avoiding mistakes and thus operating this device safely and in a fault-free manner is very essential to protect yourselves from the hazards.

To prevent hazards and to ensure optimum efficiency, no modifications or alterations to the device that are not explicitly approved by the manufacturer may be undertaken.

This device may only be operated in technically proper and safe condition.

2.2 Safety instructions for use of the device

The specifications regarding the industrial safety are based on the Regulations of the European Union applicable at the time of manufacturing the device.

If the device is used commercially, the user is obliged to ensure that the said industrial safety measures concur with the state of the rules and regulations applicable at the time in question for the entire period of use of the device and to comply with the new specifications.

Outside the European Union, the industrial safety laws applicable at the place of installation of the device and the regional territorial provisions must be complied with.

Besides the industrial safety instructions in the instruction manual, the general safety and accident prevention regulations as well as environment protection regulations applicable for area of application of the device must be followed and complied with.



CAUTION!

- The unit is not intended for use by individuals (including children) with physical or mental disabilities, insufficient experience, and/or insufficient knowledge unless such persons are under the care of a person responsible for their safety or have received instructions regarding appropriate use of the unit.
- Children should be observed to ensure that they are not playing with the unit.
- Preserve this manual safely. When passing on/selling the device to a third party, the manuals must be handed over along with the device.
- Every person using the device must act in accordance to the manuals and under consideration of the safety advice.
- The device is to be used indoors only.

2.3 Intended use

Safe operation is only guaranteed when using the device for its intended purpose.

Any technical interventions, as well as assembly and maintenance are to be made by a qualified customer service only. The hot cupboard is intended only for heating and maintaining plates at the temperature selected.



CAUTION!

Any use going beyond the intended purpose and/or any different use of the device is forbidden and is not considered as conventional.

Any claims against the manufacturer or his authorized representative as a consequence of experiencing damages resulting from unconventional use are impossible. The operator is liable for all damages resulting from inappropriate use.

3. Transport, packaging and storage

3.1 Delivery check

Please check the delivery upon completeness and transport damage immediately after receipt.

In case of visible damage do not accept or accept the delivery with reservation only. Note the extent of damage on the carrier's bill of delivery. Trigger off the complaint. Hidden damages should be reclaimed immediately after notice, as claims for damages can only be asserted within the effective period for complaints.

3.2 Packaging

Please do not throw away the covering carton of your device as it might be useful for storage purposes, when moving or, in case of damages, when the device must be sent back to a repair center. The outer and inner packing material should be removed completely from the device before installation.



NOTE!

If you liked to dispose the packing, consider the regulations applicable in your country. Supply re-usable packing materials to the recycling.

Please inspect the device upon completeness. In case any part is missing please contact our customer service center immediately.

3.3 Storage

Keep the package closed until installation and under consideration of the outside indicated positioning- and storage markings. Packages should be stored under consideration of the following:

- Do not store outdoors.
- Keep it dry and dust-free.
- Do not expose it to aggressive media.
- Do not expose it to direct sunlight.
- Avoid mechanical shocks and vibration.
- In case of longer storage (> 3 months) make sure you check the state of the packaging and the parts regularly. If required refresh or renew.

4. Technical data

Name	Hot cupboard	
Article no	7518.0005	7518.0010
Construction	1 door	2 doors
	With adjustable shelf	
Material used for casing	Stainless steel	
Voltage, frequency	230 V ~ 50 Hz	
Power	800W	1200W
Temperature range	30°C - 85°C	
Capacity	45-60 plates, max. Ø 320 mm	90-120 plates, max. Ø 320 mm
Dimensions (mm)	Width 450	Width 750
	Depth 485	Depth 485
	Height 850	Height 850
Weight	N.W.: 25.5kg / G.W.: 27.5kg	N.W.: 36kg / G.W.: 38.5kg

We reserve the right to make technical changes!

5. Installation and operation

5.1 Safety instructions



WARNING! Electrical hazard!

The device must only be connected to a properly installed single socket with protective contact. Never yank cord to disconnect from outlet. Cable must not touch any hot parts.

- See that the cable does not touch any heat sources or sharp edges. Do not let the cable dangle over the counter edge.



WARNING! Hot external surface!

During operation some parts of the device become very hot. In order to avoid injuries do not touch any hot parts!

- Do not use the device in case it does not function properly, has been damaged or dropped.
- Do not use any accessory or spare parts that have not been recommended by the manufacturer. These can be dangerous for the user or lead to damages of the device or personal injury, and further, the warranty expires.
- Do not lay the cable over carpets or heat insulations. Do not cover the cable. Keep away the cable from operating range and do not dunk it into water.
- Do not move or tilt the device when in operation.



WARNING! Hazard via electrical current!

The device can cause injuries due to improper installation! Before installation the local power grid specification should be compared with that of the device (see type label). Connect the device only in case of compliance! Take note of the security advice!

5.2 Installation and connection

- Discard the complete packing material after unpacking the device.
- Place the device on top of an even and safe surface which supports the weight of the device and is not heat sensitive.
- Not at any time should you place the device on an inflammable surface.
- You must not position the device near open fireplaces, electric ovens/arc furnaces, furnaces/electric heaters or other heat sources.
- Never install the device in a damp or wet environment.
- The electrical circuit in the socket must be secured to at least 16A. Only connect the unit directly to the wall socket; do not use any extension cords or power strips.
- Place the device so that the plug is easily accessible and can be quickly removed from its socket in case of necessity.

5.3 Operating

- Prior to first use, wash the unit (see 6.2 „Cleaning“).
- Prepare appropriately-sized plates (∅ max. 320 mm). Prior to placing plates inside the unit, they should be washed and dried. Place plates on the appropriate shelves.



NOTE!

For best heating of plates, the shelves should be filled.

- Close the unit's door(s).
- Connect the unit to an appropriate outlet.
- Turn the unit on using the ON/OFF switch. The green control light will come on.
- Turn the temperature regulator to the right to attain maximum power.
- Various factors may influence warm-up time:
 - Composition and thickness of plates;
 - Number of plates in the unit;
 - Selected temperature;
 - Ambient temperature.

For this reason it is not possible to give an exact heating time. Only when using the unit with the above factors accounted for can the user set the temperature appropriately.

- Set the desired temperature using the temperature regulator. The temperature range is from 30° to 85°C, and the optimal temperature is approx. 60°C. At temperatures up to 60°C plates are not overly hot and can be handled without risk of burns. If food is served on plates at that temperature, it will stay warm for long periods.



WARNING! Danger of burns!

If a temperature has been selected exceeding 60°C, use protective gloves or towels to remove plates so as to avoid burns of the fingers or hands.

- Plates can be removed from the unit as needed.
- Prior to removing plates from the unit always turn it off using the switch at the front of the unit.
- If the unit is accessible by guests, ensure that the temperature regulator is not adjusted by unauthorized persons.



WARNING! Hot surfaces!

When in use parts of the unit are very hot. To avoid burns, do not touch such elements of the unit! Open the unit using handles.

- Prior to placing plates inside the unit, turn it off. While placing plates inside the unit, ensure they are clean and dry. If any water gets on the unit's surface, wipe it away immediately.

CAUTION! Danger of injury!



Never use the unit if any liquids are on or inside the unit.

To avoid injury by electric shock, fire or otherwise, do not touch the unit if it has been damaged. In such an event, immediately disconnect the unit from its power source by removing the plug from its socket.

- If the unit contains no plates or it is not to be used, disconnect it from its power source by removing the plug from its socket.

6. Cleaning and maintenance

6.1 Safety advice

- Before beginning with repair or cleaning works make sure the device has been disconnected from power socket (pull the power plug!!!) and has cooled down.
- Do not use any acid agents and make sure no water ingresses the device.
- To protect yourself from electric shock, never immerse the device, its cables and the plug in water or other liquids.



CAUTION!

The device is not suited for direct washing via water jets. Therefore, you must not use any kind of pressure water jet for cleaning the device!

6.2 Cleaning

- Wash the unit regularly.
- Wash the casing, door(s) and shelves with a soft, moist cloth and delicate washing-up liquid. Dry thoroughly with a soft cloth.
- Only use a soft cloth and make sure you never use any kind of abrasive agents or pads which could scratch the surface.
- After the cleaning procedure, you should use a soft and dry cloth to wipe dry and polish the surface.
- Make sure the device has been cleaned properly before storing it in a dry place.

6.3 Safety instructions for maintenance

- Check the mains connection cable for damage from time to time. Never operate the device when the cable is damaged. A damaged cable must immediately be replaced by customer service or a qualified electrician to avoid dangers.
- In case of damage or malfunction, please contact your stockist or our customer service centre.
- Only a qualified technician and using original spare parts and accessories should carry out repairs and maintenance of the device. Do not attempt to repair the device yourself.

7. Waste disposal

Discarding old devices

At the end of its service life the discarded device has to be disposed in accordance with the national regulations. It is advisable to contact a company which is specialized in waste disposal, or just contact the local disposal service in your community.



WARNING!

To exclude any abuse and the dangers involved make the waste device unfit for use before disposal. For that purpose disconnect device from mains supply and remove mains connection cable from the device.



NOTE!

For the disposal of the device please consider and act according to the national and local rules and regulations.

1. Algemeen

1.1 Informatie over de gebruiksaanwijzing

Deze gebruiksaanwijzing bevat de beschrijving van de installatie, de bediening en het onderhoud van het apparaat en dient als belangrijke informatiebron en naslagwerk.

De kennis en het inachtnemen van alle hier beschreven veiligheidsvoorschriften en instructies is een voorwaarde voor veilig en juist gebruik van het apparaat. Daarom moeten de voor het toepassingsgebied van het apparaat geldende lokale voorschriften inzake ongevallenpreventie en algemene veiligheidsvoorschriften worden opgevolgd.

De gebruiksaanwijzing is een integraal onderdeel van het product en moet altijd binnen handbereik bewaard worden, zodat deze installatie-, bedienings-, onderhouds- en reinigingspersoneel er gebruik van kan maken.

1.2 Symboolverklaring

Belangrijke veiligheids- en technische instructies zijn in deze gebruiksaanwijzing aangeduid door symbolen. Deze instructies moeten bij het gebruik van dit apparaat absoluut in acht worden genomen om ongelukken, gevaar voor personen of materiële schade te vermijden.



WAARSCHUWING!

Dit symbool waarschuwt voor gevaren, die tot lichamelijk letsel kunnen leiden.

Volgt u de aangegeven veiligheidsinstructies op en wees in deze gevallen heel voorzichtig.



WAARSCHUWING! Gevaar voor elektrische schokken!

Bij dit symbool moet men op gevaarlijke situaties letten, die elektrische schokken kunnen veroorzaken.

Als de veiligheidsvoorschriften niet worden opgevolgd, bestaat het gevaar van lichamelijke letsel en levensgevaar.



OPLETTEN!

Met dit symbool worden aanwijzingen gegeven, die als zij niet in acht worden genomen, tot beschadiging, slecht functioneren en/of storing van het apparaat kunnen leiden.



AANWIJZING!

Dit symbool wijst op tips en informatie die wezenlijk zijn voor efficiënt en storingsvrij gebruik van het apparaat.



WAARSCHUWING! Heet oppervlak!

Dit symbool waarschuwt ervoor dat het werkende apparaat een heet oppervlak heeft.

Veronachtzaming van de waarschuwing kan verbranding veroorzaken!

1.3 Aansprakelijkheid en vrijwaring

Alle gegevens en tips die zijn opgenomen in deze gebruiksaanwijzing zijn samengesteld rekening houdend met de geldende voorschriften, de actuele technische stand van zaken en onze langdurige inzichten en ervaring.

Ook de tekst van deze gebruiksaanwijzing is zo goed mogelijk vertaald. Wij zijn echter niet aansprakelijk voor eventuele fouten in de vertaling. Doorslaggevend is de bijgevoegde Duitse versie van deze gebruiksaanwijzing.

Het geleverde apparaat kan bij speciale bestellingen, aanvullende bestelopties of vanwege de nieuwste technische ontwikkelingen afwijken van de hier beschreven regels en grafische afbeeldingen. Hebt u vragen, neem dan contact op met de fabrikant.

AANWIJZING!



Lees deze gebruiksaanwijzing zorgvuldig door voordat u begint met de werkzaamheden, met name voordat u het apparaat in gebruik neemt! De fabrikant is niet aansprakelijk voor schade en storingen die zijn veroorzaakt door het niet in acht nemen van de informatie uit deze gebruiksaanwijzing.

Bewaar de gebruiksaanwijzing in de buurt van het product en zorg dat hij toegankelijk is voor alle personen, die met het apparaat werken. Wij behouden ons het recht voor om technische veranderingen in het product aan te brengen die leiden tot verbetering van de gebruikseigenschappen en de verdere ontwikkeling van het apparaat.

1.4 Auteursrecht

De gebruiksaanwijzing en de erin opgenomen teksten, tekeningen, foto's en andere afbeeldingen zijn auteursrechtelijk beschermd. Niets (ook gedeeltelijk) uit deze uitgave mag in ongeacht welke vorm worden veeveelvoudigd, verwerkt en/of gepubliceerd zonder voorafgaande schriftelijke toestemming van de fabrikant. Overtreding van het bovenstaande verplicht tot schadevergoeding. Wij behouden ons het recht voor tot verdere vorderingen.



AANWIJZING!

De inhoudelijke gegevens, teksten, tekeningen, foto's en andere afbeeldingen vallen onder het auteursrechten het recht op de bescherming van de industriële eigendom. Ieder misbruik is strafbaar.

1.5 Verklaring van Conformiteit

Het apparaat beantwoordt aan de actuele EU-normen en richtlijnen.

Dit bevestigen we in de EG-Verklaring van Conformiteit.

Indien gewenst, sturen we u graag de betreffende Verklaring van Conformiteit toe.

2. Veiligheid

In dit gedeelte wordt een overzicht gegeven van alle belangrijke veiligheidsaspecten.

Bovendien zijn er in de onderstaande hoofdstukken concrete veiligheidsvoorschriften opgenomen (aangeduid met symbolen) om risico's te voorkomen. Daarom moeten de op het apparaat aangebrachte pictogrammen, tekens en opschriften in acht genomen worden en steeds goed leesbaar gehouden. Het in acht nemen van alle veiligheidsvoorschriften garandeert een optimale bescherming tegen gevaren en een veilig en storingsvrij gebruik van het apparaat.

2.1 Algemeen

Het apparaat is gemaakt volgens de laatste stand der techniek. Het kan echter een bron van gevaar vormen als het apparaat niet in overeenstemming met zijn bestemming gebruikt wordt.

Kennis van de inhoud van deze gebruiksaanwijzing is een van de voorwaarden, om gevaren en fouten te vermijden waardoor het apparaat veilig en storingsvrij gebruikt kan worden.

Om gevaren te vermijden en om de optimale werking te garanderen mag het apparaat zonder uitdrukkelijke toestemming van de fabrikant niet veranderd of omgebouwd worden.

Het apparaat mag alleen gebruikt worden als het zich in goede technische en veilige staat bevindt.

2.2 Aanwijzingen voor de veiligheid bij het gebruik van het apparaat

De veiligheidsinstructies hebben betrekking op de EU-verordeningen, die op het tijdstip van productie van het apparaat van kracht zijn.

Als het apparaat voor commerciële doeleinden wordt gebruikt, is de gebruiker ertoe verplicht, om gedurende de hele exploitatieperiode van het apparaat te controleren of de genoemde veiligheidsvoorschriften overeenstemmen met de actuele regels en om nieuwe voorschriften na te leven.

Buiten de Europese Unie moeten de geldende veiligheidsvoorschriften en regels in acht worden genomen van de plaats waar het apparaat gebruikt wordt.

Behalve de arbeidsveiligheidsvoorschriften uit deze gebruiksaanwijzing moeten de voor het toepassingsgebied van het apparaat algemeen geldende veiligheidsvoorschriften, voorschriften inzake ongevallenpreventie en de geldende richtlijnen inzake milieubescherming in acht worden genomen en opgevolgd.



OPLETTEN!

- Het toestel is niet bestemd voor gebruik door personen (inclusief kinderen) met een fysieke, sensorische of geestelijke handicap en/of met onvoldoende ervaring en/of onvoldoende kennis, tenzij deze personen onder toezicht staan van een voor hun veiligheid verantwoordelijke persoon of van die persoon voldoende uitleg hebben gekregen betreffende het gebruik maken van het apparaat.
- Kinderen dienen onder toezicht te zijn om te voorkomen dat ze met het apparaat gaan spelen.
- Deze gebruiksaanwijzing zorgvuldig bewaren. Als het apparaat aan een derde persoon ter beschikking wordt gesteld, moet de handleiding ook overgedragen worden.
- Alle personen die het apparaat gebruiken, moeten zich aan de regels uit deze gebruiksaanwijzing houden en de veiligheidsvoorschriften in acht nemen.
- Het apparaat alleen in gesloten ruimtes gebruiken.

2.3 Reglementair gebruik



OPLETTEN!

Het toestel is ontworpen voor professioneel gebruik en mag alleen door gekwalificeerd personeel in grootkeukens worden bediend.

De veiligheid is alleen dan gegarandeerd als het apparaat gebruikt wordt in overeenstemming met zijn bestemming. Alle technische ingrepen, ook de montage en het onderhoud, mogen uitsluitend worden uitgevoerd door de gekwalificeerde klantenservice.

De warmkast is uitsluitend bestemd voor het verwarmen en warmhouden van borden.



OPLETTEN!

Elk gebruik van het apparaat voor andere en/of afwijkende doeleinden dan waarvoor het bestemd is, is verboden en wordt aangemerkt als niet in overeenstemming met zijn bestemming.

Alle vorderingen, ongeacht in welke vorm op de fabrikant en/of zijn gemachtigde met betrekking tot schade die is veroorzaakt door oneigenlijk gebruik, zijn uitgesloten. Voor alle schade die is veroorzaakt door verkeerde bediening van het apparaat is alleen en uitsluitend de gebruiker aansprakelijk.

3. Transport, verpakking en bewaring

3.1 Controle bij aflevering

Als het apparaat afgeleverd is, onmiddellijk controleren of het compleet en zonder transportschade is.

Als er duidelijk zichtbare transportschade is, het geleverde apparaat niet of alleen onder voorbehoud aannemen. De schade opschrijven op de transportdocumenten/ het leveringsdocument van de leverancier. Vervolgens reclameren. Verborgene gebreken onmiddellijk nadat ze zijn geconstateerd, reclameren, omdat eisen tot schadevergoeding alleen binnen de reclamatieperiode mogelijk zijn.

3.2 Verpakking

Gooi het verpakkingsmateriaal van het apparaat niet weg. U kunt het eventueel gebruiken voor het bewaren van het apparaat, bij een verhuizing of als u het apparaat bij eventuele schade aan ons servicepunt moet sturen. Verwijder voor de ingebruikname het buitenste en binnenste verpakkingsmateriaal volledig van het apparaat.



AANWIJZING!

Indien u de verpakking wilt weggooien, let dan op de in uw land geldende regels. Lever het verwerkbare verpakkingsmateriaal aan voor recycling.

Controleer of het apparaat en de accessoires compleet zijn. Indien er onderdelen ontbreken, neem dan contact op met onze Klantenservice.

3.3 Bewaring

Bewaar de gesloten verpakking tot de installatie en volgens de op de buitenkant aangebrachte plaats- en bewaringsmarkering. Verpakte apparaten alleen als volgt bewaren:

- Niet buitenshuis bewaren.
- Droog en stofvrij bewaren.
- Niet blootstellen aan agressieve middelen.
- Tegen straling van de zon beschermen.
- Mechanische schokken vermijden.
- Bij langere bewaring (> 3 maanden) regelmatig de algemene toestand van alle bestanddelen en van de verpakking controleren. Indien nodig verbeteren of vernieuwen.

4. Technische gegevens

Name	Warmhoudkast	
Artikel nr.	7518.0005	7518.0010
Uitvoering	1 deur	2 deuren
	Met verstelbare plank	
Material behuizing	Roestvrij staal	
Aansluitwaarde	230 V ~ 50 Hz	
Vermogen	800W	1200W
Temperatuurbereik	30°C - 85°C	
Capaciteit	45-60 borden, max. Ø 320 mm	90-120 borden, max. Ø 320 mm
Afmetingen (mm)	Breedte 450 Diepte 485 Hoogte 850	Breedte 750 Diepte 485 Hoogte 850
Gewicht	N.W.: 25.5kg / G.W.: 27.5kg	N.W.: 36kg / G.W.: 38.5kg

Wijzigingen voorbehouden!

5. Installatie en bediening

5.1 Veiligheidsvoorschriften



WAARSCHUWING! Gevaar door elektrische stroom!

Het apparaat mag uitsluitend aangesloten worden op correct geïnstalleerde, enkelvoudige geaarde stekkers. De stekker niet aan de kabel uit het stopcontact trekken. De kabel mag niet met hete onderdelen in aanraking komen.

- Let op, dat de kabel niet in contact komt met warmtebronnen of



WAARSCHUWING! Heet oppervlak!

Sommige elementen van het apparaat worden tijdens het gebruik erg heet. Om verbranding te voorkomen deze hete elementen niet aanraken!

- Gebruik het apparaat niet als het niet juist functioneert, beschadigd is of is gevallen.
- Gebruik uitsluitend accessoires en onderdelen die door de fabrikant worden aanbevolen. De garantie vervalt als er andere accessoires worden gebruikt, ze kunnen gevaarlijk zijn voor de gebruiker, schade aan het apparaat veroorzaken en leiden tot lichamelijke letsel.
- De kabel niet onder tapijt of andere warmteisolatie leggen. De kabel niet afdekken. De kabel weghouden van het werkvlak en niet in water onderdompelen.
- Het apparaat niet bewegen of kantelen terwijl het in werking is.

WAARSCHUWING! Gevaar voor elektrische schokken!



Ondeskundige installatie van het apparaat kan verwondingen veroorzaken!

**Vergelijk de installatiegegevens van het lokale stroomnetwerk met de technische gegevens van het apparaat (zie typeschild). Het apparaat alleen aansluiten als bovenstaande gegevens overeenkomen!
De veiligheidsvoorschriften in acht nemen!**

5.2 Installatie en Aansluiting

- Pak het apparaat uit en verwijder alle verpakkingsmaterialen.
- Plaats het apparaat op een vlakke en stabiele ondergrond die het gewicht van het apparaat kan dragen en ongevoelig is voor temperatuur.
- Plaats het apparaat nooit op een makkelijke ontvlambare ondergrond.
- Plaats het apparaat nooit in de buurt van bronnen van open vuur, elektrische kachels, verwarmingsketels of andere warmtebronnen.
- Elk elektriciteitscircuit van het stopcontact moet met minimaal 16A beveiligd zijn. Het apparaat mag alleen aangesloten worden op een wandcontactdoos; het is niet toegestaan om verlengsnoeren of verdeelstekkers te gebruiken.
- Plaats het apparaat dusdanig, dat u makkelijk toegang heeft tot de stekker, zodat u indien noodzakelijk het apparaat snel los kunt koppelen van het lichtnet.

5.3 Bediening

- Maak het apparaat voor het eerste gebruik schoon (zie hoofdstuk 6.2 "Reiniging").
- Bereid de geschikte borden (Æ tot 320 mm) voor. Maak de borden schoon en droog ze af voordat u ze in het apparaat plaatst. Plaats de borden in het apparaat op de hiervoor bestemde plaatsen.



TIP!

U bereikt een optimale verwarming van de borden als de planken volledig gevuld zijn.

- Sluit de deur van het apparaat.
- Sluit het apparaat aan op een geschikt stopcontact.
- Schakel het apparaat in met de ON/OFF schakelaar. Het groene controlelampje op de schakelaar gaat branden.
- Draai de temperatuurregelaar naar rechts om het maximale vermogen in te stellen.
- De opwarmtijd wordt beïnvloed door verschillende factoren:
 - Materiaal en dikte van de borden;
 - Het aantal borden in het apparaat;
 - De temperatuurstelling;
 - De omgevingstemperatuur.

Om deze reden is het niet mogelijk een precieze opwarmtijd aan te geven. U kunt alleen tijdens het gebruik van het apparaat in samenhang met de bovengenoemde factoren de gewenste temperatuurstelling uitvinden.

- Stel na afloop van de opwarmtijd met behulp van de temperatuurregelaar de gewenste temperatuur in. Het temperatuurbereik ligt tussen 30°C en 85°C, de optimale temperatuur bedraagt ca. 60°C. Bij temperaturen tot 60°C worden de borden niet te heet, ze kunnen worden aangeraakt zonder de vingers of hand te verbranden. De gerechten blijven lang warm als ze worden geserveerd op borden van deze temperatuur.



WAARSCHUWING! Gevaar voor verbranding!

Als u heeft gekozen voor een temperatuur boven 60°C , gebruik dan keukenhandschoenen of pannenlappen om verbranding van vingers of hand te voorkomen.

- U kunt de borden naar behoefte uit het apparaat nemen.
- Schakel het apparaat altijd uit met behulp van de schakelaar op de voorkant van het apparaat, voordat u het serviesgoed er uitneemt.
- Als het apparaat toegankelijk is voor gasten, zorg er dan voor dat de temperatuurregelaar niet door onbevoegde personen kan worden bediend.



WAARSCHUWING! Heet oppervlak!

Sommige elementen van het apparaat worden tijdens het gebruik erg heet. Om verbranding te voorkomen deze hete elementen niet aanraken! Gebruik het handvat om het apparaat te openen.

- Schakel het apparaat uit voordat u het gaat vullen met borden. Let er tijdens het vullen op dat de borden schoon en droog zijn. Als er water op het apparaat terecht komt, dit onmiddellijk opvegen.

WAARSCHUWING! Gevaar voor verwonding!



Het apparaat nooit gebruiken als er zich vloeistoffen op het apparaat bevinden, of als er vloeistof in het apparaat terecht is gekomen.

Om verwondingen door stroom, brand of als gevolg van beschadiging van het apparaat te voorkomen, het apparaat niet aanraken als het beschadigd is. Koppel het apparaat in dat geval onmiddellijk los van de stroomvoorziening (haal de stekker uit het stopcontact!).

- Als er zich geen borden meer in het apparaat bevinden of als het apparaat niet meer wordt gebruikt, koppel het dan los van de stroomvoorziening (haal de stekker uit het stopcontact!).

6. Reiniging en onderhoud

6.1 Veiligheidsvoorschriften

- Zowel voor reiniging als voor reparatie de stekker van het apparaat uit het stopcontact halen en het apparaat laten afkoelen.
- Gebruik geen bijtende reinigingsmiddelen en zorg ervoor, dat er geen water in het apparaat komt.
- Het is niet toegestaan het apparaat, de kabel of de stekker in water of een andere vloeistof onder te dompelen, om elektrische schokken te vermijden.



OPLETTEN!

Het apparaat is niet geschikt voor het direct uitspoelen met een waterstraal. Daarom is het niet toegestaan het apparaat met een hogedruk waterstraal te reinigen!

6.2 Reiniging

- Maak het apparaat regelmatig schoon.
- Maak de behuizing, de bordenplanken en de deur schoon met een zacht, vochtig doekje en een mild schoonmaakmiddel. Droog het apparaat aansluitend met een zacht doekje nauwkeurig af.
- Gebruik uitsluitend zachte doekjes en vermijd alle soorten scherpe schoonmaakhulpmiddelen die krassen kunnen maken op het metaal.
- Neem na het schoonmaken van het apparaat een schoon, zacht doekje om de bovenkant van het apparaat droog te wrijven.
- Verzeker u ervan dat het apparaat op de juiste wijze is schoongemaakt voor het volgende gebruik.

6.3 Veiligheidsvoorschriften voor onderhoud

- Regelmatig dient gecontroleerd te worden of de voedingskabel niet beschadigd is. Het is niet toegestaan het apparaat te gebruiken als de kabel beschadigd is. Indien de kabel beschadigd is, moet hij om gevaar te voorkomen vervangen worden door de service of een gekwalificeerde elektricien.
- Bij schade en storingen neemt u contact op met uw verkoper of onze Klantenservice.
- Onderhouds- en reparatiewerkzaamheden mogen alleen door gekwalificeerde vaklui worden uitgevoerd, onder gebruikmaking van originele reserveonderdelen en accessoires. Probeert u nooit zelf het apparaat te repareren!

7. Verwijderen

Oude apparaten

Het gebruikte apparaat moet worden verwijderd in overeenstemming met in uw land geldende voorschriften. Aanbevolen wordt om contact op te nemen met een bedrijf dat gespecialiseerd is in verwijdering.



WAARSCHUWING!

Om misbruik en de daaraan verbonden gevaren te voorkomen, maakt u uw oude apparaat vóór de verwijdering onbruikbaar. Het apparaat uit het stopcontact halen en de aansluitkabel uit het apparaat verwijderen.



AANWIJZING!

Bij de verwijdering van het apparaat dient u de in uw land geldende voorschriften in acht te nemen.

1. Allgemeines

1.1 Informationen zur Bedienungsanleitung

Diese Bedienungsanleitung beschreibt die Installation, Bedienung und Wartung des Gerätes und dient als wichtige Informationsquelle und Nachschlagewerk.

Die Kenntnis und Beachtung aller in ihr enthaltenen Sicherheitshinweise und Handlungsanweisungen schafft die Voraussetzung für das sichere und sachgerechte Arbeiten mit dem Gerät.

Darüber hinaus sind die für den Einsatzbereich des Gerätes geltenden örtlichen Unfallverhütungsvorschriften und allgemeinen Sicherheitsbestimmungen einzuhalten.

Die Bedienungsanleitung ist Produktbestandteil und in greifbarer Nähe des Gerätes zur Nutzung durch das Installations-, Bedienungs-, Wartungs- und Reinigungspersonal jederzeit zugänglich aufzubewahren.

1.2 Symbolerklärung

Wichtige sicherheits- und gerätetechnische Hinweise sind in dieser Bedienungsanleitung durch Symbole gekennzeichnet. Die Hinweise sind unbedingt zu befolgen, um Unfälle, Personen- und Sachschäden zu vermeiden.



WARNUNG!

Dieses Symbol kennzeichnet Gefahren, die zu Verletzungen führen können. Halten Sie die angegebenen Hinweise zur Arbeitssicherheit unbedingt genau ein und verhalten Sie sich in diesen Fällen besonders vorsichtig.



WARNUNG! Gefahr durch elektrischen Strom!

Dieses Symbol macht auf Gefahren-Situationen durch elektrischen Strom aufmerksam. Bei Nichtbeachten der Sicherheitshinweise besteht Verletzungsgefahr oder Lebensgefahr.



ACHTUNG!

Dieses Symbol kennzeichnet Hinweise, deren Nichtbeachtung Beschädigung, Fehlfunktionen und/oder Ausfall des Gerätes zur Folge haben kann.



HINWEIS!

Dieses Symbol hebt Tipps und Informationen hervor, die für eine effiziente und störungsfreie Bedienung des Gerätes zu beachten sind.



WARNUNG! Heiße Oberfläche!

Während des Betriebs werden einige Geräteteile sehr heiß. Um Verbrennungen zu vermeiden, heiße Geräteteile nicht berühren!

1.3 Haftung und Gewährleistung

Alle Angaben und Hinweise in dieser Bedienungsanleitung wurden unter Berücksichtigung der geltenden Vorschriften, des aktuellen ingenieurtechnischen Entwicklungsstandes sowie unserer langjährigen Erkenntnisse und Erfahrungen zusammengestellt.

Die Übersetzungen der Bedienungsanleitung wurden ebenfalls nach bestem Wissen erstellt. Eine Haftung für Übersetzungsfehler können wir jedoch nicht übernehmen. Maßgebend ist die beiliegende deutsche Version dieser Bedienungsanleitung.

Der tatsächliche Lieferumfang kann bei Sonderausführungen, der Inanspruchnahme zusätzlicher Bestelloptionen oder auf Grund neuester technischer Änderungen u. U. von den hier beschriebenen Erläuterungen und zeichnerischen Darstellungen abweichen. Bei Fragen wenden Sie sich bitte an den Hersteller.



HINWEIS!

Diese Bedienungsanleitung ist vor Beginn aller Arbeiten am und mit dem Gerät, insbesondere vor der Inbetriebnahme, sorgfältig durchzulesen! Für Schäden und Störungen, die sich aus der Nichtbeachtung der Bedienungsanleitung ergeben, übernimmt der Hersteller keine Haftung.

Die Bedienungsanleitung ist unmittelbar am Gerät und zugänglich für alle Personen, die am oder mit dem Gerät arbeiten, aufzubewahren. Technische Änderungen am Produkt im Rahmen der Verbesserung der Gebrauchseigenschaften und der Weiterentwicklung behalten wir uns vor.

1.4 Urheberschutz

Die Bedienungsanleitung und die in ihr enthaltenen Texte, Zeichnungen, Bilder und sonstigen Darstellungen sind urheberrechtlich geschützt. Vervielfältigungen jeglicher Art und Form – auch auszugsweise – sowie die Verwertung und/oder Mitteilung des Inhaltes sind ohne schriftliche Freigabeerklärung des Herstellers nicht gestattet. Zuwiderhandlungen verpflichten zu Schadensersatz. Weitere Ansprüche bleiben vorbehalten.



HINWEIS!

Die inhaltlichen Angaben, Texte, Zeichnungen, Bilder und sonstigen Darstellungen sind urheberrechtlich geschützt und unterliegen weiteren gewerblichen Schutzrechten. Jede missbräuchliche Verwertung ist strafbar.

1.5 Konformitätserklärung

Das Gerät entspricht den aktuellen Normen und Richtlinien der EU.

Dies bescheinigen wir in der EG-Konformitätserklärung.

Bei Bedarf senden wir Ihnen gern die entsprechende Konformitätserklärung zu.

2. Sicherheit

Dieser Abschnitt bietet einen Überblick über alle wichtigen Sicherheitsaspekte. Zusätzlich sind in den einzelnen Kapiteln konkrete Sicherheitshinweise zur Abwendung von Gefahren gegeben und mit Symbolen gekennzeichnet. Darüber hinaus sind am Gerät befindliche Piktogramme, Schilder und Beschriftungen zu beachten und in ständig lesbarem Zustand zu halten. Die Beachtung aller Sicherheitshinweise ermöglicht optimalen Schutz vor Gefährdungen und gewährleistet sicheren und störungsfreien Betrieb des Gerätes.

2.1 Allgemeines

Das Gerät ist nach den derzeit gültigen Regeln der Technik gebaut. Es können jedoch von diesem Gerät Gefahren ausgehen, wenn es unsachgemäß oder nicht bestimmungsgemäß verwendet wird. Die Kenntnis des Inhalts der Bedienungsanleitung ist eine der Voraussetzungen, um Sie vor Gefahren zu schützen, sowie Fehler zu vermeiden und somit das Gerät sicher und störungsfrei zu betreiben.

Zur Vermeidung von Gefährdungen und zur Sicherung der optimalen Leistung dürfen am Gerät weder Veränderungen noch Umbauten vorgenommen werden, die durch den Hersteller nicht ausdrücklich genehmigt worden sind. Das Gerät darf nur in technisch einwandfreiem und betriebssicherem Zustand betrieben werden.

2.2 Sicherheitshinweise für die Nutzung des Gerätes

Die Angaben zur Arbeitssicherheit beziehen sich auf die zum Zeitpunkt der Herstellung des Gerätes gültigen Verordnungen der Europäischen Union. Wird das Gerät gewerblich genutzt, ist der Betreiber verpflichtet, während der gesamten Einsatzzeit des Gerätes die Übereinstimmung der benannten Arbeitssicherheitsmaßnahmen mit dem aktuellen Stand der Regelwerke festzustellen und neue Vorschriften zu beachten. Außerhalb der Europäischen Union sind die am Einsatzort des Gerätes geltenden Arbeitssicherheitsgesetze und regionalen Bestimmungen einzuhalten. Neben den Arbeitssicherheitshinweisen in dieser Betriebsanleitung sind die für den Einsatzbereich des Gerätes allgemein gültigen Sicherheits- und Unfallverhütungsvorschriften sowie die geltenden Umweltschutzbestimmungen zu beachten und einzuhalten.



ACHTUNG!

- Dieses Gerät ist nicht bestimmt, durch Personen (einschließlich Kinder) mit eingeschränkten physischen, sensorischen oder geistigen Fähigkeiten oder mangels Erfahrung und/oder mangels Wissen benutzt zu werden, es sei denn, sie werden durch eine für die Sicherheit zuständige Person beaufsichtigt oder erhalten von ihr Anweisungen, wie das Gerät zu benutzen ist.
- Kinder sollten beaufsichtigt werden, um sicherzustellen, dass sie nicht mit dem Gerät spielen.
- Bewahren Sie diese Bedienungsanleitung sorgfältig auf. Wenn das Gerät an eine dritte Person weitergegeben wird, muss die Bedienungsanleitung mit ausgehändigt werden.
- Alle Personen, die das Gerät benutzen, müssen sich an die Angaben in der Bedienungsanleitung halten und die Sicherheitshinweise beachten.
- Das Gerät nur in geschlossenen Räumen betreiben.

2.3 Bestimmungsgemäße Verwendung

Die Betriebssicherheit des Gerätes ist nur bei bestimmungsgemäßer Verwendung entsprechend der Angaben in der Bedienungsanleitung gewährleistet. Alle technischen Eingriffe, auch die Montage und die Instandhaltung sind ausschließlich von qualifiziertem Kundendienst vorzunehmen.

Der Tellerwärmer ist nur zum Vorwärmen und Warmhalten von Tellern bestimmt.



ACHTUNG!

Jede über die bestimmungsgemäße Verwendung hinausgehende und/oder andersartige Verwendung des Gerätes ist untersagt und gilt als nicht bestimmungsgemäß.

Ansprüche jeglicher Art gegen den Hersteller und/oder seine Bevollmächtigten wegen Schäden aus nicht bestimmungsgemäßer Verwendung des Gerätes sind ausgeschlossen. Für alle Schäden bei nicht bestimmungsgemäßer Verwendung haftet allein der Betreiber.

3. Transport, Verpackung und Lagerung

3.1 Transportinspektion

Lieferung bei Erhalt unverzüglich auf Vollständigkeit und Transportschäden prüfen. Bei äußerlich erkennbarem Transportschaden Lieferung nicht oder nur unter Vorbehalt entgegen nehmen. Schadensumfang auf Transportunterlagen/Lieferschein des Transporteurs vermerken. Reklamation einleiten. Verdeckte Mängel sofort nach Erkennen reklamieren, da Schadensersatzansprüche nur innerhalb der geltenden Reklamationsfristen geltend gemacht werden können.

3.2 Verpackung

Werfen Sie den Umkarton Ihres Geräts nicht weg. Sie benötigen ihn eventuell zur Aufbewahrung, beim Umzug oder wenn Sie das Gerät bei eventuellen Schäden an unsere Service-Stelle senden müssen. Entfernen Sie vor der Inbetriebnahme das äußere und innere Verpackungsmaterial vollständig vom Gerät.



HINWEIS!

Falls Sie die Verpackung entsorgen möchten, beachten Sie die in Ihrem Land geltenden Vorschriften. Führen Sie wieder verwertbare Verpackungsmaterialien dem Recycling zu.

Bitte prüfen Sie, ob das Gerät und das Zubehör vollständig sind. Falls irgendwelche Teile fehlen sollten, nehmen Sie bitte mit unserem Kundenservice Kontakt auf.

3.3 Lagerung

Packstücke bis zur Installation verschlossen und unter Beachtung der außen angebrachten Aufstell- und Lagermarkierung aufbewahren. Packstücke nur unter folgenden Bedingungen lagern:

- Nicht im Freien aufbewahren.
- Trocken und staubfrei aufbewahren.
- Keinen aggressiven Medien aussetzen.
- Vor Sonneneinstrahlung schützen.
- Mechanische Erschütterungen vermeiden.
- Bei längerer Lagerung (> 3 Monate) regelmäßig allgemeinen Zustand aller Teile und der Verpackung kontrollieren. Bei Erfordernis auffrischen oder erneuern.

4. Technische Daten

Bezeichnung	Wärmeschrank	
Artikel-Nr.	7518.0005	7518.0010
Ausführung	1 tür	2 türen
	mit verstellbarem Zwischenbord	
Material Gehäuse	Edelstahl	
Anschlusswert	230 V ~ 50 Hz	
Leistung	800W	1200W
Temperaturregelung	30°C - 85°C	
Fassungsvermögen	45-60 Teller, bis Ø 320 mm	90-120 Teller, bis Ø 320 mm
Abmessungen (mm)	Breite 450 / Tiefe 485 / Höhe 850	Breite 750 / Tiefe 485 / Höhe 850
Gewicht	N.W.: 25.5kg / G.W.: 27.5kg	N.W.: 36kg / G.W.: 38.5kg

Technische Änderungen vorbehalten!

5. Installation und Bedienung

5.1 Sicherheitshinweise



WARNUNG! Gefahr durch elektrischen Strom!

Das Gerät darf nur an ordnungsgemäß installierten Einzelsteckdosen mit Schutzkontakt betrieben werden. Den Stecker nicht am Kabel aus der Steckdose ziehen. Das Netzkabel darf nicht mit heißen Teilen in Berührung kommen.

- Achten Sie darauf, dass das Kabel nicht mit Wärmequellen bzw. scharfen Kanten in Berührung kommt. Kabel nicht vom Tisch oder von der Theke herunter hängen lassen.



WARNUNG! Heiße Oberfläche!

Während des Betriebs werden einige Geräteteile sehr heiß. Um Verbrennungen zu vermeiden, heiße Geräteteile nicht berühren!

- Benutzen Sie dieses Gerät nicht, wenn es nicht korrekt funktioniert, beschädigt oder zu Boden gefallen ist.
- Keine Zubehör- und Ersatzteile verwenden, die nicht vom Hersteller empfohlen wurden. Diese könnten eine Gefahr für den Benutzer darstellen oder Schäden am Gerät verursachen und zu Personenschäden führen, zudem erlischt die Gewährleistung.
- Kabel nicht über Teppichstoff oder andere Wärmeisolierungen verlegen. Kabel nicht abdecken. Kabel von Arbeitsbereichen fernhalten und nicht in Wasser tauchen.
- Gerät während des Betriebes nicht bewegen oder umkippen.



WARNUNG! Gefahr durch elektrischen Strom!

Gerät kann bei unsachgemäßer Installation Verletzungen verursachen! Vor Installation Daten des örtlichen Stromnetzes mit technischen Angaben des Gerätes vergleichen (siehe Typenschild). Gerät nur bei Übereinstimmung anschließen! Sicherheitshinweise beachten!

5.2 Aufstellen und Anschließen

- Packen Sie das Gerät aus und entfernen Sie sämtliches Verpackungsmaterial.
- Stellen Sie das Gerät auf einen ebenen, sicheren Platz, der das Gewicht des Gerätes aushält.
- Stellen Sie das Gerät niemals auf einen brennbaren Untergrund.
- Das Gerät niemals in der Nähe von offenen Feuerstellen, Elektroöfen, Heizöfen oder anderen Hitzequellen aufstellen.
- Stellen Sie das Gerät niemals in feuchten und nassen Bereichen auf.
- Der Steckdosenstromkreis muss mit mindestens 16A abgesichert sein. Anschluss nur direkt an eine Wandsteckdose; Verteiler oder Mehrfachsteckdosen dürfen nicht verwendet werden.
- Gerät so aufstellen, dass der Stecker zugänglich ist, damit das Gerät bei Bedarf schnell vom Netz getrennt werden kann.

5.3 Bedienung

- Reinigen Sie das Gerät vor dem ersten Gebrauch (Siehe Kapitel 6.2 „Reinigung“).
- Bereiten Sie die geeigneten Teller (\varnothing bis 320 mm) vor. Vor dem Befüllen des Gerätes müssen die Teller gereinigt und getrocknet werden. Stellen Sie diese dann auf die vorgesehenen Ablagen des Gerätes.



HINWEIS!

Eine optimale Erwärmung der Teller erreichen Sie, wenn die Ablagen bis oben mit Tellern befüllt sind.

- Schließen Sie die Tür (-en) des Gerätes.
- Schließen Sie das Gerät an eine geeignete Einzelsteckdose an.
- Schalten Sie das Gerät mit dem EIN-/AUS-Kippschalter ein. Die grüne Netzkontrolllampe am Kippschalter leuchtet auf.
- Den Temperaturregler nach rechts drehen, um auf die max. Leistung einzustellen.
- Verschiedene Faktoren beeinflussen die Aufheizzeiten:
 - Material und Stärke der Teller;
 - Anzahl der Teller im Gerät,
 - die Temperatureinstellung,
 - die Umgebungstemperatur.

Deshalb ist es nicht möglich, genaue Aufheizzeiten anzugeben. Nur während des Gebrauchs des Gerätes im Zusammenhang mit den oben genannten Faktoren sind die geeigneten Einstellungen vom Benutzer herauszufinden.

- Stellen Sie nach der Aufheizzeit die gewünschte Temperatur mit dem Temperaturregler ein. Der einstellbare Temperaturbereich liegt bei 30° - 85°C, die optimale Temperatur beträgt ca. 60°C. Bei Temperatureinstellungen bis 60°C werden die Teller nicht zu heiß, so dass man sie anfassen kann, ohne sich die Finger oder Hände zu verbrennen. Die Speisen bleiben lange warm, wenn sie bei dieser Temperatur auf den Teller serviert werden.



WARNUNG! Verbrennungsgefahr!

Sollten Sie eine Temperatureinstellung über 60°C gewählt haben, benutzen Sie zur Entnahme der Teller Schutzhandschuhe oder Topflappen, um Verbrennungen der Finger oder Hände zu vermeiden.

- Die Teller können nach Bedarf aus dem Gerät entnommen werden.
- Das Gerät vor der Entnahme des Geschirrs immer mittels Kippschalter an der Vorderseite des Gerätes ausschalten.
- Sollte das Gerät frei zugänglich für Gäste sein, achten Sie darauf, dass der Temperaturregler nicht von unbefugten Personen betätigt werden kann.



WARNUNG! Heiße Oberfläche!

Während des Betriebs werden einige Geräteteile sehr heiß. Um Verbrennungen zu vermeiden, heiße Geräteteile nicht berühren! Benutzen Sie zum Öffnen des Gerätes den Griff der Tür (-en).

- Das Gerät zum Befüllen mit Tellern ausschalten. Achten Sie beim Befüllen des Gerätes darauf, dass die Teller trocken und sauber sind. Falls Wasser auf die Oberfläche gelangt, wischen Sie dieses sofort ab.



WARNUNG! Verletzungsgefahr!

Niemals das Gerät betreiben, wenn sich Flüssigkeiten auf dem Gerät befinden oder in das Innere des Gerätes eingedrungen sind.

Um Verletzungen durch Strom, Brand und eine Beschädigung des Gerätes zu vermeiden, berühren Sie das Gerät in diesem Falle nicht, trennen Sie das Gerät sofort von der Steckdose (Netzstecker ziehen!).

- Das Gerät von der Steckdose trennen (Netzstecker ziehen!), wenn sich keine Teller in dem Gerät befinden oder das Gerät nicht mehr benutzt wird.

6. Reinigung und Wartung

6.1 Sicherheitshinweise

- Vor der Reinigung sowie vor der Durchführung von Reparaturen das Gerät von der Steckdose trennen (Netzstecker ziehen!) und abkühlen lassen.
- Keine ätzenden Reinigungsmittel verwenden und darauf achten, dass kein Wasser in das Gerät eindringt.
- Um sich vor Stromschlägen zu schützen, Gerät, Kabel und Stecker niemals in Wasser oder andere Flüssigkeiten eintauchen.



ACHTUNG!

Das Gerät ist nicht für das direkte Absprühen mit einem Wasserstrahl geeignet. Verwenden Sie daher keinen Druckwasserstrahl, um dieses Gerät zu reinigen!

6.2 Reinigung

- Reinigen Sie das Gerät regelmäßig.
- Reinigen Sie das Gehäuse, die Tellerablagen und die Tür (-en) des Gerätes mit einem weichen, feuchten Tuch und einem milden Reinigungsmittel. Trocknen Sie diese anschließend mit einem weichen Tuch gründlich ab.
- Verwenden Sie ausschließlich ein weiches Tuch und benutzen Sie niemals irgendeine Art von groben Reinigern, welche das Gerät zerkratzen könnte.
- Nach der Reinigung sollten Sie ein weiches, trockenes Tuch zum Trocknen und Polieren der Oberfläche einsetzen.
- Stellen Sie sicher, dass das Gerät ordnungsgemäß für die weitere Benutzung gereinigt wurde.

6.3 Sicherheitshinweise zur Wartung

- Die Netzanschlussleitung von Zeit zu Zeit auf Beschädigungen überprüfen. Gerät niemals benutzen, wenn das Kabel beschädigt ist. Wenn das Kabel Schäden aufweist, muss es durch den Kundendienst oder einen qualifizierten Elektriker ausgetauscht werden, um Gefährdungen zu vermeiden.
- Bei Schäden oder Störungen wenden Sie sich an Ihren Fachhändler oder an unseren Kundendienst.
- Wartungs- und Reparaturarbeiten dürfen nur von qualifizierten Fachleuten unter Verwendung von Original-Ersatz- und Zubehörteilen ausgeführt werden. Versuchen Sie niemals, selber an dem Gerät Reparaturen durchzuführen.

7. Entsorgung

Altgeräte

Das ausgediente Gerät ist am Ende seiner Lebensdauer entsprechend den nationalen Bestimmungen zu entsorgen. Es empfiehlt sich, mit einer auf Entsorgung spezialisierten Firma Kontakt aufzunehmen, oder sich mit der Entsorgungsabteilung Ihrer Kommune in Verbindung zu setzen.



WARNUNG!

Damit der Missbrauch und die damit verbundenen Gefahren ausgeschlossen sind, machen Sie Ihr Altgerät vor der Entsorgung unbrauchbar. Dazu Gerät von der Netzversorgung trennen und das Netzanschlusskabel vom Gerät entfernen.



HINWEIS!

Für die Entsorgung des Gerätes beachten Sie die in Ihrem Land und in Ihrer Kommune geltenden Vorschriften.

1. Généralités

1.1 Informations concernant la notice d'utilisation

La présente notice d'utilisation décrit l'installation, la manipulation et la maintenance de l'appareil, elle sert de source d'informations et d'ouvrage de référence. La connaissance et l'observation de toutes les consignes de sécurité et des instructions mentionnées dans le mode d'emploi sont la condition sine qua non d'une utilisation sûre et correcte de l'appareil. En outre, il convient de respecter les consignes locales de prévention des accidents et les dispositions générales de sécurité valables pour l'utilisation de l'appareil.

La présente notice d'utilisation fait partie intégrante du produit; la conserver à proximité de l'appareil afin que le personnel d'installation, de commande, de maintenance et de nettoyage puisse y accéder en tout temps pour une future consultation.

1.2 Explication des symboles

Les consignes de sécurité et informations techniques importantes concernant l'appareil sont indiquées dans la présente notice d'utilisation par des symboles. Il est impératif de respecter ces consignes afin d'éviter les accidents ou les dommages corporels et matériels.



AVERTISSEMENT !

Ce symbole caractérise les dangers pouvant entraîner des blessures.

Respecter exactement les avertissements indiqués concernant la sécurité du travail et faire preuve de prudence dans ces situations.



AVERTISSEMENT ! Risque lié au courant électrique !

Ce symbole attire l'attention sur les situations dangereuses liées au courant électrique. Risque de blessure ou risque de mort en cas de non-respect des consignes de sécurité.



ATTENTION !

Ce symbole désigne les consignes dont la non-observation peut entraîner l'endommagement, les dysfonctionnements et/ou une panne complète de l'appareil.



REMARQUE !

Ce symbole met en valeur les conseils et informations devant être respectés afin de d'assurer une utilisation efficace et sans défaut de l'appareil.



AVERTISSEMENT! Les surfaces externes sont très chaudes!

Ce symbole en avertit l'utilisateur durant le fonctionnement de l'appareil. Tout non-respect entraîne des risques de brûlures!

1.3 Responsabilité et garantie

Toutes les indications et consignes contenues dans la présente notice d'utilisation ont été réunies en tenant compte des prescriptions en vigueur, du niveau actuel de développement technique ainsi que de nos connaissances et expériences de plusieurs années.

Les traductions de la notice d'utilisation ont été également effectuées consciencieusement. Nous déclinons toutefois toute responsabilité en cas d'erreurs de traduction. La version allemande ci-jointe de la présente notice d'utilisation fait foi.

Le contenu effectif de la livraison peut différer éventuellement des explications décrites ici et des représentations graphiques pour les modèles spéciaux, lorsque vous bénéficiez d'options de commande supplémentaires, ou liées aux dernières modifications techniques. Pour toutes questions, veuillez-vous adresser au constructeur.



REMARQUE !

Lire attentivement la présente notice d'utilisation avant le début des opérations d'utilisation sur et avec l'appareil, en particulier avant sa mise en service. Le constructeur n'assume aucune responsabilité en cas de dommages et pannes résultant du non-respect de la notice d'utilisation.

Cette dernière doit être conservée directement avec l'appareil et être accessible à toute personne travaillant sur et avec l'appareil. Nous nous réservons le droit d'apporter des modifications techniques sur le produit pour améliorer ses qualités fonctionnelles et son développement.

1.4 Protection des droits d'auteur

La notice d'utilisation et les textes, les dessins, figures et autres représentations qui y sont contenus sont protégés par la loi sur les droits d'auteur. Les reproductions de tous types et de toutes formes – même partielles – ainsi que l'exploitation et/ou la transmission de son contenu ne sont pas permises sans autorisation écrite du fabricant. Toute violation de ces dispositions ouvre droit à des dommages et intérêts. Les autres droits demeurent réservés.



REMARQUE !

Les indications du contenu, les textes, dessins, figures et autres représentations sont protégés par les droits d'auteur et soumis à d'autres droits de propriété industrielle. Toute exploitation abusive est passible de peine.

1.5 Déclaration de conformité

L'appareil correspond aux normes et directives actuelles de l'Union européenne.

Nous l'attestons dans la déclaration de conformité CE.

Nous vous ferons volontiers parvenir sur demande la déclaration de conformité correspondante.

2. Sécurité

Ce chapitre donne un aperçu de tous les aspects importants de la sécurité.

De plus, des consignes concrètes de sécurité visant à écarter les dangers sont mentionnées dans les chapitres individuels et caractérisées par des symboles. Veiller en outre à respecter les pictogrammes indiqués sur l'appareil, les étiquettes et les inscriptions et à en préserver leur lisibilité.

L'observation de toutes les consignes de sécurité permet une protection optimale contre les risques et garantit un fonctionnement sûr et sans défaut de l'appareil.

2.1 Généralités

L'appareil est conçu d'après les règles techniques valables actuellement. Néanmoins, celui-ci peut comporter des risques en cas d'utilisation non conforme ou inappropriée.

La connaissance du contenu de la présente notice d'utilisation constitue une des conditions qui vous permet de vous protéger contre les risques, d'éviter les erreurs et, par conséquent, d'assurer une utilisation sûre et à l'abri des pannes.

Pour éviter tout risque et garantir une performance optimale de l'appareil, celui-ci ne doit être ni modifié ni transformé sans autorisation expresse du fabricant. N'utiliser l'appareil que lorsque celui-ci est en parfait état de sécurité et de fonctionnement.

2.2 Consignes de sécurité relatives à l'usage de l'appareil

Les indications afférentes à la sécurité du travail se réfèrent aux ordonnances de l'Union européenne valables au moment de la fabrication de l'appareil.

En cas d'usage commercial de l'appareil, l'exploitant s'engage, pendant la durée totale de son utilisation, à constater la conformité des mesures citées en matière de sécurité du travail avec l'état actuel de l'arsenal de conseils et à respecter les nouvelles prescriptions.

A l'extérieur de l'Union européenne, respecter les lois sur la sécurité du travail et les dispositions régionales en vigueur sur le lieu d'exploitation de l'appareil.

Outre les consignes en matière de sécurité du travail mentionnées dans la présente notice d'utilisation, il convient d'observer et de respecter les consignes de sécurité et de prévention des accidents universelles pour le domaine d'utilisation de l'appareil, ainsi que les dispositions de protection de l'environnement en vigueur.



ATTENTION !

- L'appareil n'est pas destiné à être utilisé par des personnes (y compris les enfants) aux moyens physiques, sensoriels ou intellectuels limités, ou sans expérience suffisante et/ou sans connaissances suffisantes, à moins que ces personnes se trouvent sous la surveillance d'une personne responsable de leur sécurité ou qu'elles obtiennent de cette personne les indications pour utiliser l'appareil.
- Les enfants devraient se trouver sous surveillance afin d'être sûr qu'ils ne s'amuse pas avec l'appareil.
- Conserver soigneusement le présent mode d'emploi. En cas de cession de l'appareil à une tierce personne, il faut lui remettre également la notice d'utilisation.
- Toutes les personnes qui utilisent l'appareil doivent se tenir aux indications mentionnées dans la notice d'utilisation et respecter les consignes de sécurité.
- N'utiliser l'appareil que dans des locaux fermés.

2.3 Utilisation conforme



ATTENTION !

Cet appareil n'a été fabriqué et conçu que pour une utilisation commerciale par le personnel spécialisé dans les cuisines professionnelles.

La sécurité de fonctionnement de l'appareil est garantie uniquement lors de l'utilisation conforme de celui-ci. Toutes les interventions techniques, également le montage et la mise en état doivent être uniquement effectués par le service après-vente qualifié. **L'armoire chauffante est destinée uniquement à réchauffer et à maintenir la température des assiettes.**



ATTENTION !

Toute autre utilisation que celle indiquée et/ou toute utilisation différente de l'appareil est interdite et est considérée comme non conforme.

Les prétentions de tous types contre le fabricant et/ou ses fondés de pouvoir par suite de dommages résultant d'une utilisation non conforme de l'appareil sont exclues. L'exploitant est seul responsable en cas de dommages liés à une utilisation non conforme.

3. Transport, emballage et stockage

3.1 Inspection suite au transport

Vérifier l'intégralité et l'absence de dommages dus au transport dès réception du produit.

En cas de dommages identifiables extérieurement dus au transport, refuser ou accepter le produit livré uniquement sous réserve. Noter l'étendue du dommage sur les documents de transport/le bon de livraison du transporteur. Engager une réclamation.

Dès détection des défauts cachés, formuler immédiatement une réclamation, les prétentions à dommages et intérêts étant valables uniquement dans les délais prescrits.

3.2 Emballage

Ne jeter le carton extérieur de l'appareil. Vous en avez besoin éventuellement pour garder l'appareil, lors d'un déménagement ou lorsque vous devez envoyer l'appareil à notre service après-vente en cas d'éventuels dommages. Retirer complètement les emballages extérieur et intérieur avant la mise en service de l'appareil.

REMARQUE !

Si vous désirez éliminer l'emballage, respectez les consignes en vigueur dans votre pays. Réintroduisez les matériaux d'emballage récupérables dans le circuit de recyclage.

Contrôlez si l'appareil et les accessoires sont complets. S'il devait manquer des éléments, veuillez contacter notre service après-vente.

3.3 Stockage

Garder les emballages fermés jusqu'à l'installation de l'appareil et en respectant les indications d'installation et de stockage apposées à l'extérieur. Stocker les emballages uniquement dans les conditions suivantes :

- Ne pas garder les emballages à l'extérieur.
- Les tenir à l'abri de l'humidité et de la poussière.
- Ne pas les exposer aux fluides agressifs.
- Les protéger des rayons du soleil.
- Eviter les secousses mécaniques.
- En cas de stockage prolongé (> 3 mois), contrôler régulièrement l'état général de tous les éléments et de l'emballage. Si nécessaire, les rafraîchir et les renouveler.

4. Caractéristiques techniques

Nom	Armoires chauffantes	
No de l'article	7518.0005	7518.0010
Finition	1 porte	2 portes
	Avec étagère transposable	
Matériau utilisé pour le corpus de l'appareil	Acier inoxydable	
Puissance électrique	230 V ~ 50 Hz	
Puissance	800W	1200W
Amplitude de température	30°C - 85°C	
Capacité	45-60 assiettes, jusqu'à Ø 320 mm	90-120 assiettes, jusqu'à Ø 320 mm
Dimensions (mm)	Largeur 450 Profondeur 485 Hauteur 850	Largeur 750 Profondeur 485 Hauteur 850
Poids	N.W.: 25.5kg / G.W.: 27.5kg	N.W.: 36kg / G.W.: 38.5kg

Sous réserve de modifications !

5. Installation et utilisation

5.1 Consignes de sécurité



AVERTISSEMENT ! Risque lié au courant électrique !

L'appareil ne peut être branché qu'à une prise monophasée conforme, avec système de protection. Ne jamais retirer la fiche de la prise en tirant sur le câble. Le câble d'alimentation ne doit pas entrer en contact avec des pièces chaudes.

- Veiller à ce que le cordon n'entre pas en contact avec des sources de chaleur ou des arêtes vives. Ne pas laisser le cordon pendre du bord d'une table ou d'un comptoir.



AVERTISSEMENT! Surfaces chaudes!

Durant le fonctionnement, certains éléments de l'appareil s'échauffent fortement. Afin d'éviter les brûlures, ne pas toucher les éléments soumis à de fortes températures!

- Ne pas utiliser l'appareil lorsque celui-ci ne fonctionne pas correctement, est endommagé ou tombé par terre.
- N'utiliser aucun accessoire ou aucune pièce détachée non recommandés par le fabricant. Ceux-ci pourraient présenter un danger pour l'utilisateur ou endommager l'appareil et entraîner des dommages corporels, en plus la garantie expire.
- Ne pas poser le cordon sur la moquette ou autres isolations thermiques. Ne pas couvrir le cordon. Tenir le cordon éloigné des zones de travail.
- Ne pas bouger ou pencher l'appareil pendant le fonctionnement.



AVERTISSEMENT ! Risque lié au courant électrique !

L'appareil peut causer des blessures en cas d'installation non conforme. Avant de procéder à son installation, comparer les données du réseau électrique local aux indications techniques de l'appareil (voir plaque signalétique). Brancher l'appareil uniquement lorsqu'il y a conformité! Respecter les consignes de sécurité !

5.2 Installation et branchement

- Désemballez l'appareil et enlevez tout matériel d'emballage.
- Placez l'appareil sur un endroit plan et sûr, capable de supporter le poids de l'appareil et résistant à la chaleur.
- Ne placez **JAMAIS** l'appareil sur une surface inflammable.
- Ne pas installer l'appareil à proximité de feux ouverts, de fours électriques, de poêles de chauffage ou d'autres sources de chaleur.
- Ne mettez **jamais** l'appareil en place dans des zones humides ou mouillées.
- Chaque câble électrique de la prise doit être protégé à au moins 16A. Ne brancher l'appareil que directement à une prise au mur ; n'utiliser aucun répartiteur ni aucune prise multiple.
- Placer l'appareil de manière à avoir un accès facile à la prise de courant afin de pouvoir le débrancher rapidement en cas de nécessité.

5.3 Utilisation

- Avant la première utilisation de l'appareil, bien le nettoyer (voir chapitre 6.2 „Nettoyage“).
- Préparer des assiettes appropriées (Ø jusqu'à 320 mm). Avant de les placer dans l'appareil, les laver et les sécher. Les placer sur les étagères correspondantes.



INDICATION!

Le réchauffement optimal des assiettes est obtenu si les étagères de l'appareil sont remplies.

- Fermer la porte de l'appareil.
- Brancher l'appareil à une prise de courant appropriée.
- Allumer l'appareil à l'aide de l'interrupteur ON/OFF. Le témoin de contrôle vert se trouvant près de l'interrupteur s'allume.
- Tourner le régulateur de température vers la droite jusqu'à la puissance maximale.
- Le temps de préchauffage est influencé par différents facteurs:
 - Le matériau et l'épaisseur des assiettes;
 - Le nombre d'assiettes se trouvant dans l'appareil;
 - La température choisie;
 - La température ambiante.

De ce fait, il n'est pas possible de donner un temps exact de préchauffage de l'appareil. Ce n'est que lors de l'utilisation de l'armoire, en tenant compte des facteurs précités, que l'utilisateur pourra concrètement adapter la température de l'appareil.

- Après le préchauffage de l'appareil, régler la température désirée à l'aide du régulateur de température. L'amplitude est de 30° à 85°C, la température optimale de réchauffement des assiettes étant d'env. 60°C. Jusqu'à 60°C les assiettes ne sont pas trop chaudes, il est possible de les manipuler sans risques de brûlures des mains ou des doigts. Si les plats sont servis dans des assiettes réchauffées à ces températures, les aliments restent chauds plus longtemps.

**AVERTISSEMENT! Risques de brûlures!**

Si la température choisie dépasse les 60°C, utiliser des gants de protection ou des torchons pour retirer les assiettes de l'appareil, afin d'éviter toutes brûlures des mains ou des doigts.

- Il est possible de retirer les assiettes de l'appareil en fonction des besoins.
- Avant de retirer la vaisselle de l'appareil, toujours l'éteindre à l'aide de l'interrupteur se trouvant à l'avant de l'appareil.
- Si l'appareil doit être accessible aux invités, veiller à ce que le régulateur de température ne soit manipulé par des personnes non autorisées.

**AVERTISSEMENT! Surfaces très chaudes!**

Lors du fonctionnement de l'appareil, certaines de ses surfaces s'échauffent fortement. Afin d'éviter toutes brûlures, ne pas toucher les éléments de l'appareil! Utiliser les poignées pour en ouvrir la porte.

- Débrancher l'appareil avant d'y placer des assiettes. Veiller à ce que la vaisselle placée soit propre et sèche. Si de l'eau s'écoule sur les surfaces de l'appareil, l'essuyer immédiatement.

**AVERTISSEMENT! Risques de blessures!**

Ne jamais utiliser l'appareil si des liquides se trouvent sur ses surfaces ou dans l'appareil. Afin d'éviter toutes blessures causées par des court-circuits, des incendies ou par l'endommagement de l'appareil, ne pas le toucher s'il a été endommagé. Dans ce cas, le débrancher immédiatement de la prise de courant. (retirer la fiche de la prise!).

- Si l'appareil ne contient plus d'assiettes ou s'il ne devait plus être utilisé, le débrancher du courant électrique (retirer la fiche de la prise de courant!).

6. Nettoyage et maintenance

6.1 Consignes de sécurité

- Avant de nettoyer et de réparer de l'appareil, débrancher celui-ci en retirant la fiche de la prise de courant et laisser refroidir l'appareil.
- Ne pas utiliser de détergents caustiques et veiller à ce que l'eau ne pénètre pas à l'intérieur de l'appareil.
- Ne jamais plonger l'appareil, le cordon et la fiche dans l'eau ou autres liquides.

**ATTENTION !**

L'appareil n'est pas conçu pour le nettoyage par jet d'eau direct. Par conséquent, vous ne devez jamais le laver avec un jet d'eau sous pression !

6.2 Nettoyage

- Nettoyer l'appareil régulièrement.
- Nettoyer le corps de l'appareil, les étagères et les portes à l'aide d'une lavette souple et humide et d'un produit de nettoyage doux. Bien sécher toutes les surfaces en fin de nettoyage à l'aide d'un chiffon souple.
- N'utiliser qu'un chiffon doux et ne jamais utiliser une sorte de chiffon ou d'éponge gros sous risque de rayer le métal.
- Après le nettoyage, utilisez un chiffon doux et sec pour sécher et polir la surface.
- Assurez-vous que l'appareil a été nettoyé conformément aux prescriptions avant de le ranger dans un endroit sec.

6.3 Consignes de sécurité relatives à la maintenance

- Vérifier de temps en temps l'absence d'endommagements au niveau du cordon secteur. Ne jamais utiliser l'appareil lorsque le cordon est endommagé. Si le câble est endommagé, il doit être changé par le service après-vente ou par un électricien qualifié, afin d'éviter les risques.
- En cas de dommages ou de pannes, adressez-vous à votre commerce spécialisé ou à notre service après-vente.
- Toute intervention de maintenance ou de réparation ne doit être effectuée que par un spécialiste ou un atelier spécialisé qui utilise les pièces de rechange et les accessoires d'origine. Ne tentez jamais de réparer vous-même l'appareil !

7. Elimination des éléments usés

Appareils usagés

Procéder à l'élimination de l'appareil usagé à la fin de sa durée de vie conformément aux prescriptions nationales. Il est recommandé de contacter une entreprise spécialisée dans la gestion des éléments usés ou de contacter le département d'élimination de votre commune.



AVERTISSEMENT !

Afin d'exclure l'abus et les risques encourus, rendre l'appareil usagé inutilisable avant son élimination. Débrancher pour cela l'appareil de l'alimentation secteur et retirer le câble d'alimentation de l'appareil.

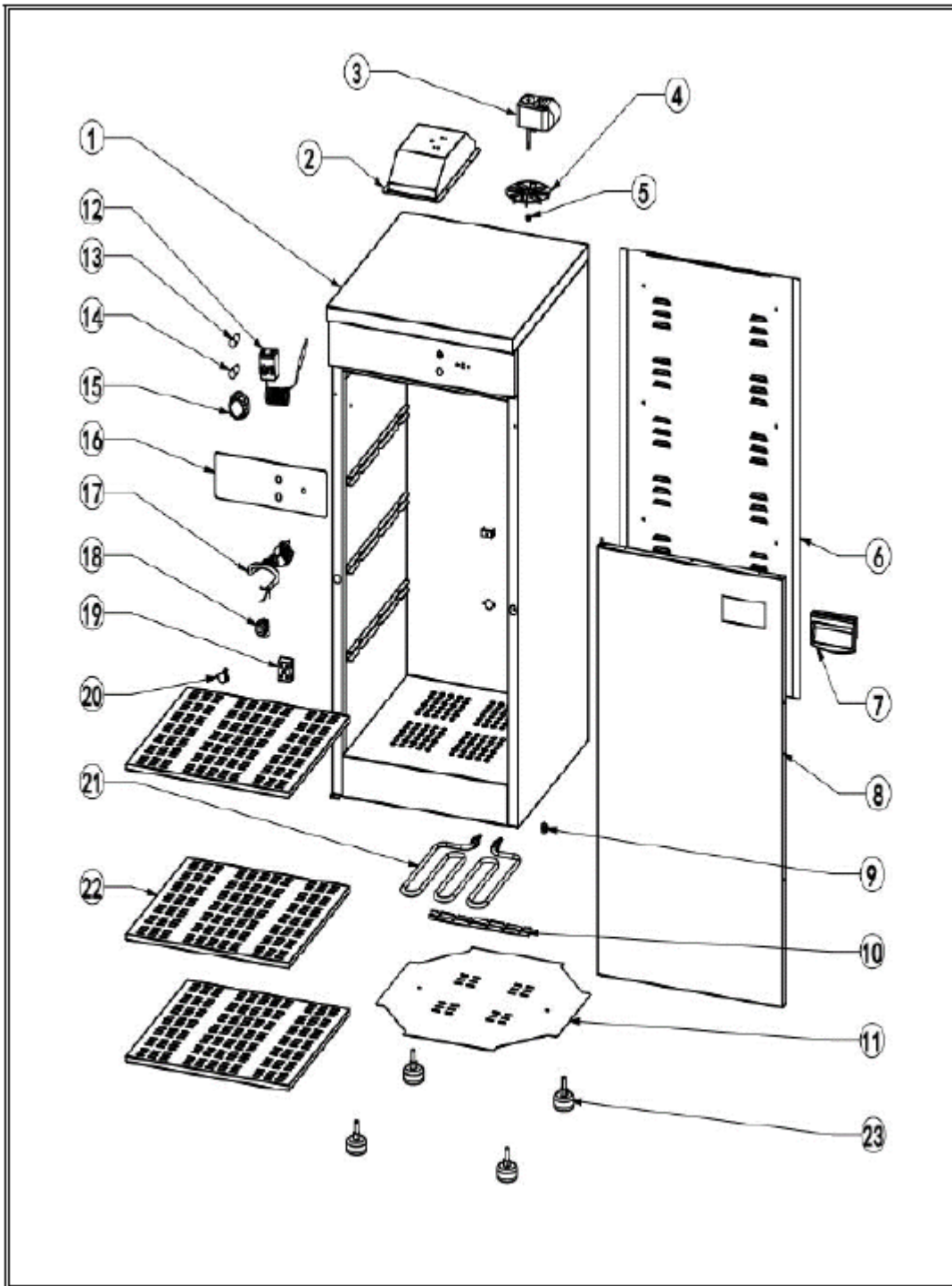


REMARQUE !

Pour l'élimination de l'appareil veuillez respecter les prescriptions en vigueur dans votre pays et votre commune.

Exploded view

7518.0005



Onderdelen informatie 7518.0005

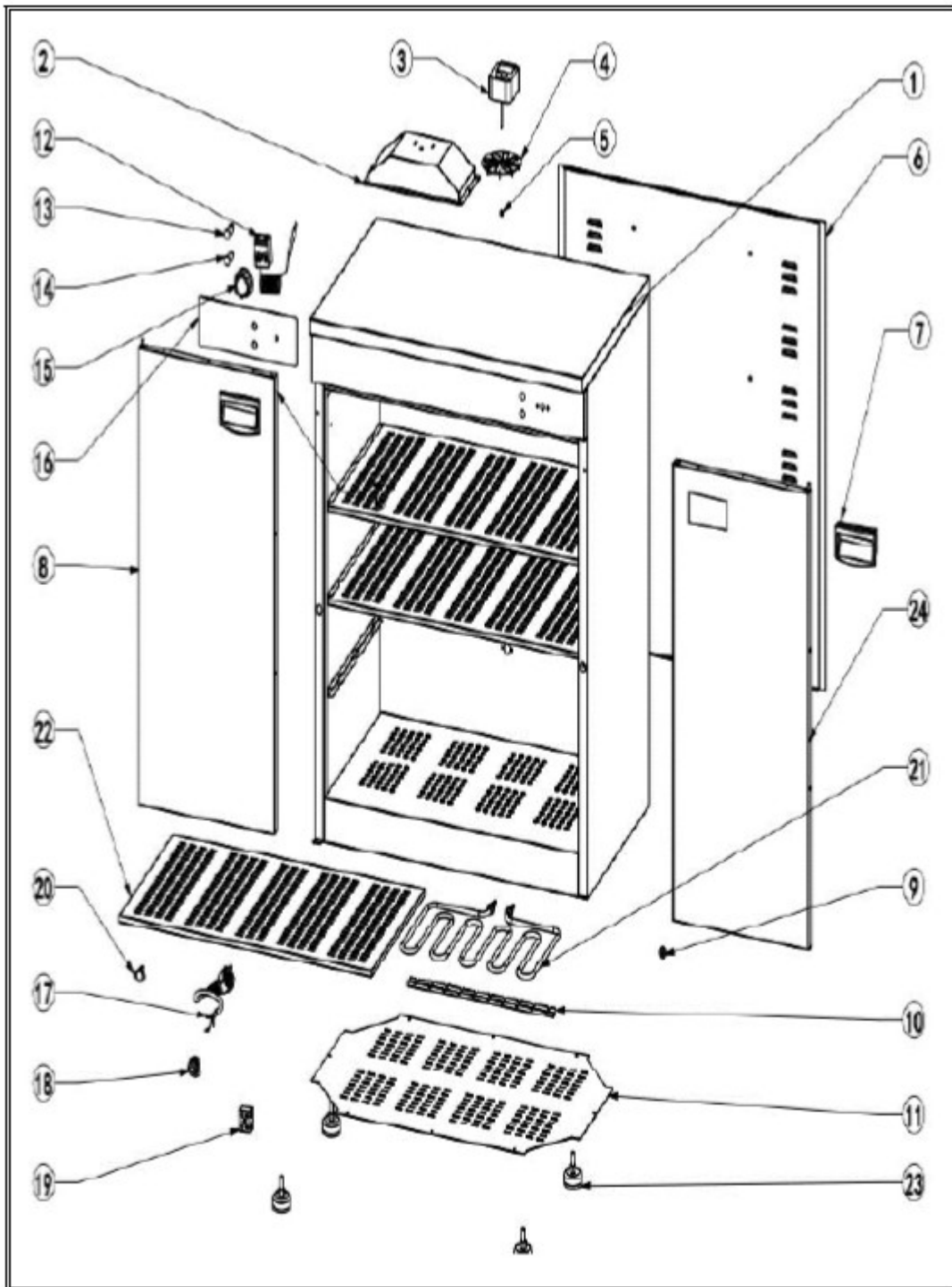
Erzatzteile information 7518.0005

Spare part information 7518.0005

Information de pièces 7518.0005

POS	Art.No.:	Description:	No. of pieces:
1		Body frame	1
2		Motor cover	1
3	9331.1140	Fan motor	1
4		Fan	1
5		Nut	1
6		Back plate	1
7		Handgrip	1
8		Door components	1
9		Strong magnet	1
10		Heating element fixed plate	1
11		Bottom plate	1
12	9331.1110	Thermostat	1
13	9331.1125	Pilot lamp green	1
14	9331.1130	Pilot lamp red	1
15		Knob	1
16		Panel sticker	1
17		Power cord	1
18		Power cord head	1
19		Terminal board	1
20		Thermal cut-out	1
21	9331.1115	Heating element	1
22		Plate shelves	3
23	9331.1135	Adjustable feet	4

7518.0010



Onderdelen informatie 7518.0010

Erzatzteile information 7518.0010

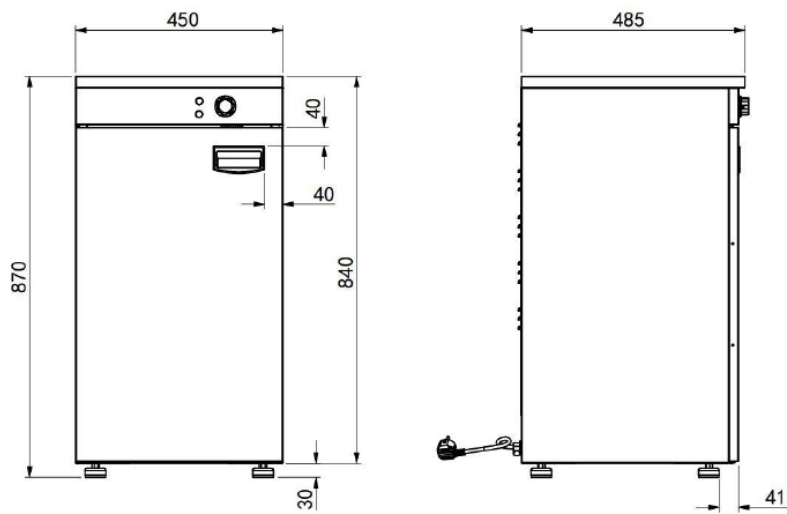
Spare part information 7518.0010

Information de pièces 7518.0010

POS	Art.No.:	Description:	No. of pieces:
1		Body frame	1
2		Motor cover	1
3	9331.1140	Fan motor	1
4		Fan	1
5		Nut	1
6		Back plate	1
7		Handgrip	1
8		Left door components	1
9		Strong magnet	1
10		Heating element fixed plate	1
11		Bottom plate	1
12	9331.1110	Thermostat	1
13	9331.1125	Pilot lamp green	1
14	9331.1130	Pilot lamp red	1
15		Knob	1
16		Panel sticker	1
17		Power cord	1
18		Power cord head	1
19		Terminal board	1
20		Thermal cut-out	1
21	9331.1120	Heating element	1
22		Plate shelves	3
23	9331.1135	Adjustable feet	4
24		Right door components	1

Dimensions / Afmetingen / Abmessungen

7518.0005



7518.0010

