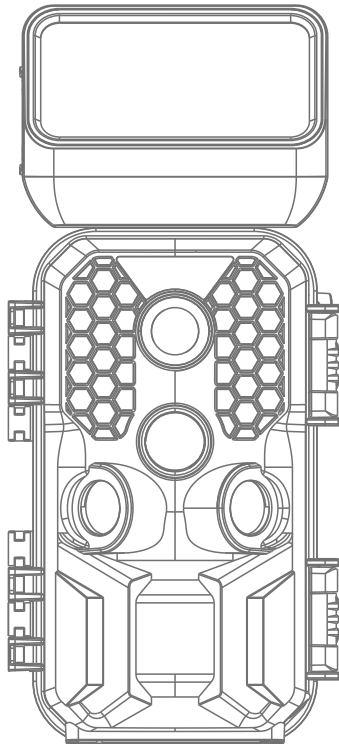


# T200

Trail Camera



Instruction Manual



IF YOU HAVE ANY QUESTIONS OR PROBLEMS.

Please contact us by

**support@campark.net**

We will offer prompt and authoritative reply within 24 hours, and try our best to resolve your problem ASAP. More Safe Guarantee with CAMPARK!

If you are not satisfied with our product. Please tell us about your thought. That will be much appreciated.

Wenn Sie irgendwelche Fragen oder Probleme haben.

Kontaktieren Sie bitte per Email unter:

**support@campark.net**

Wir werden uns innerhalb von 24 Stunden schnell und maßgeblich bei Ihnen melden und uns bemühen, um Ihr Problem so schnell wie möglich zu lösen. Sicherer mit Campark!

Wenn Sie mit unserem Produkt nicht zufrieden sind. Bitte teilen Sie uns Ihre Meinung mit. Wir werden das sehr schätzen.



# CONTENT

|  |    |
|--|----|
| INSTALLATION STEPS -----               | 1  |
| 1.PACKING LIST-----                    | 3  |
| 2.INTRODUCTION-----                    | 3  |
| 2.1.Parameter Of Wildlife Camera-----  | 3  |
| 2.2.Features Of Wildlife Camera-----   | 4  |
| 3.STRUCTURE-----                       | 4  |
| 4. PREPARING THE CAMERA-----           | 7  |
| 5.USING THE CAMERA AND SETUP MENU----- | 9  |
| 5.1 Using The Camera-----              | 9  |
| 5.2 Setup Menu-----                    | 11 |
| 5.3 WIFI APP connection-----           | 16 |
| 5.3.1 Connect the Bluetooth-----       | 16 |
| 5.3.2 WIFI connection-----             | 18 |
| 5.3.3 APP connection-----              | 22 |
| 6.INSTALL THE CAMERA IN THE FIELD----- | 24 |
| 7.Enter ON / Live Mode-----            | 25 |
| 8.TECHNICAL SPECIFICATION-----         | 26 |
| 9.SIMPLE TROUBLE SHOOTING-----         | 27 |

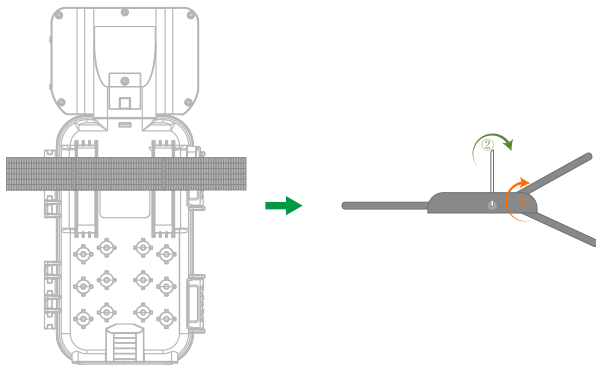


## Steps:

There are two ways to mount the Campark trail camera: using the provided adjustable web belt, or the tripod socket.

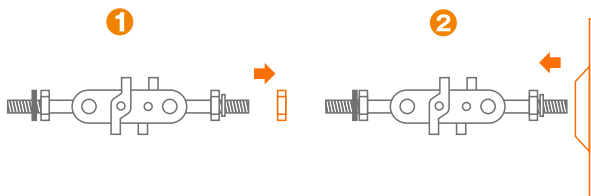
### 1. Using the Adjustable Mounting Belt

Push one end of the belt through the brackets on the back of the camera. Thread the end of the strap through the buckle. Fasten on the belt securely around the tree trunk by pulling the end of the strap firmly so there is no slack left.



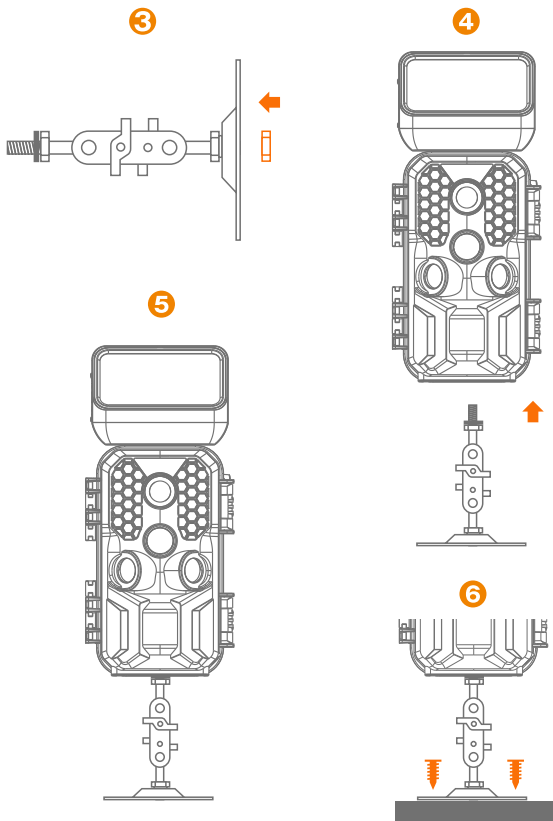
### 2. Using the Tripod Socket

The camera is equipped with a chassis at the bottom and to enable mounting on a bracket we provided.



1. Remove a nut from the fixed bracket (Be careful not to drop the iron ring from the bracket).

2. Insert the bracket into the chassis.

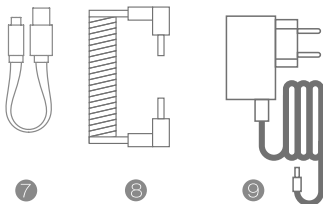
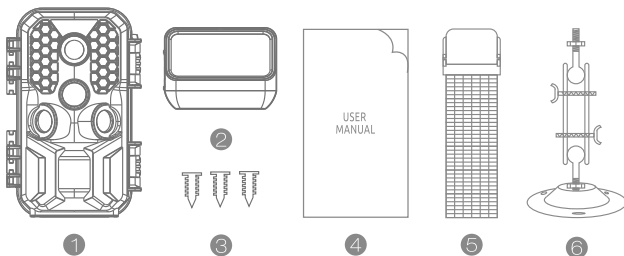


3. Fix the bracket to the chassis with the removed nut.
4. Fix the camera to the bracket.
5. Assembly is complete. They can be made stronger by turning the swivel screws on the bracket.
6. Use wall anchors and screws to fix the camera on the wall (plank, etc.).



# 1. PACKING LIST

Please carefully unpack camera and check that below accessories are contained in the box.



1. Wildlife Camera \* 1
2. Solar energy \* 1
3. Screws \* 3
4. Instruction Manual \* 1
5. Mounting Belt \* 1
6. Wall Mount \* 1
7. USB cable \* 1
8. Solar hunting camera power supply line \* 1
9. solar power charger\* 1

## 2. INTRODUCTION

The Wildlife Camera is a wildlife and surveillance camera with an infrared sensor. The sensor can detect sudden changes to the ambient temperature within an evaluation area. The signals of the highly sensitive infrared sensor (PIR, passive infrared sensor) switch on the camera, activating picture or video mode.

### 2.1 Parameter Of Wildlife Camera

1. CMOS sensor.
2. 30 Megapixels photo and 4K UHD video.
3. 6.1 cm (2.4") color TFT LCD: 320x240 pixels
4. 38 pcs IR LEDs.

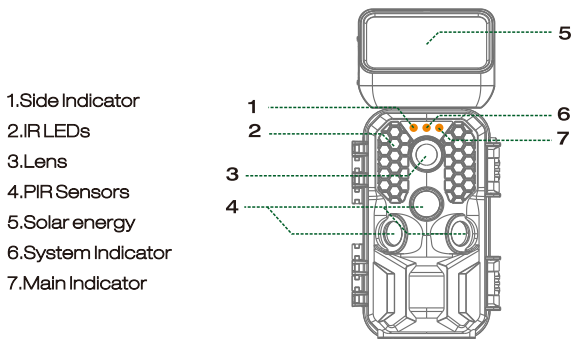
5. Full automatic IR filter.
6. Trigger speed: Approx. 0.2 second.
7. Setup Serial No. to record the position.
8. Time, date, temperature, phase and Serial No. will be stamped on the photo.
9. Password protection.
10. Power indicating.
11. Built-in test function about environmental temperature.
12. Built-in microphone and speaker.
13. Mini USB 2.0 interface.
14. Waterproof standard IP66.
15. Working temperature: -20°C to 60°C.
16. Extremely low power consumption in standby operation providing extremely long operating time, lasts 6 months with 8 pcs batteries when taking 50 pics photos every day.

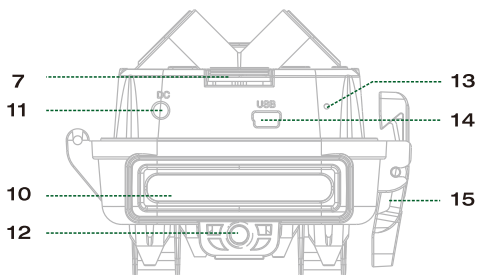
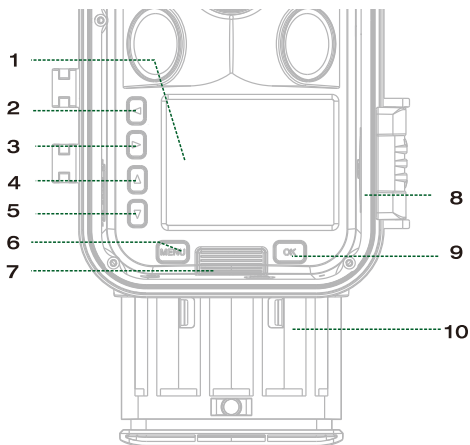
## 2.2 Features Of Wildlife Camera

1. Camera trap for hunting
2. Animal or incident observation.
3. Motion triggered security camera for domestic, office or public use.
4. Any internal and external surveillance.

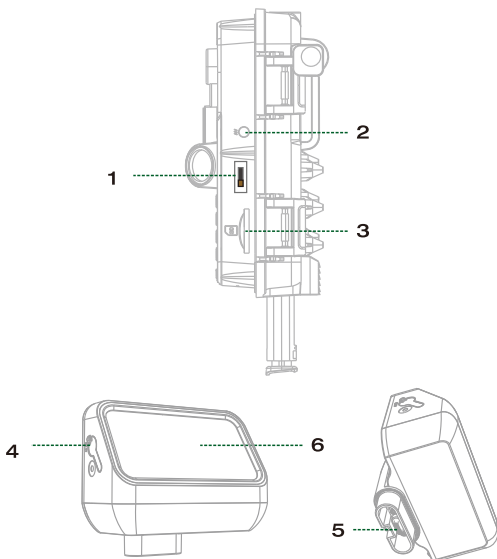
## 3. STRUCTURE

Understanding the camera structure helps to use this product more skillfully.





- |                    |                          |
|--------------------|--------------------------|
| 1.Screen           | 9.OK                     |
| 2.Left             | 10.Battery Case          |
| 3.Right            | 11.DC Power Input        |
| 4.UP               | 12.Mount Screw           |
| 5.Down             | 13.Microphone            |
| 6.MENU             | 14.Mini USB              |
| 7.Battery Ejection | 15.Locking hole for lock |
| 8.SD card slot     |                          |



- 1.Power Switch
- 2.AV Out
- 3.Memory card slot

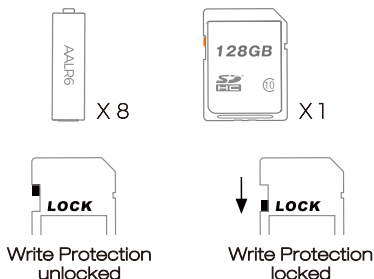
- 4.DC Power In
- 5.Type-C Power Out
- 6.Solar Panel

- ▲ 1. The monitor is only switched on in the SETUP mode for changing menu settings or viewing existing photos and videos.
- 2. A SD memory card must have been inserted into the memory card slot to save photos and videos.
- 3. Using the mini USB connection (USB 2.0), the camera can be connected to a computer to download photos and videos.
- 4. Using the mode switch, the three operating modes:OFF,SETUP and ON can be selected.
- 5. Type - C this interface is only powered by the solar panel provided by us.

## 4. PREPARING THE CAMERA

### Note :

1. SD memory cards up to a capacity of 128 GB are supported.



2. For best using experience, we recommend using 8 alkaline batteries to power the camera, lithium-ion rechargeable batteries are not recommended because rechargeable batteries have lower voltage output and poor performance under low temperature.
3. The camera must be inserted 4 or 8 x 1.5V AA batteries . Do not use new and old batteries together. DC interface need 6V/2A adaptor with 3.5 mm (outer diameters) \*1 .3 mm (inner D) plug head.
4. Insert CLASS 10 or higher class SD card (U3 recommend). Prior to insert into memory card, ensure that the lateral write protection on the memory card has not been locked.
5. Switch on the camera. 3 switches: power off (OFF),setup menu /SETUP mode (SETUP)and live mode (ON).
6. New memory card is recommended to be formatted when using (as below described).
7. Please note that the camera will power off when power is very low.

## How to start:

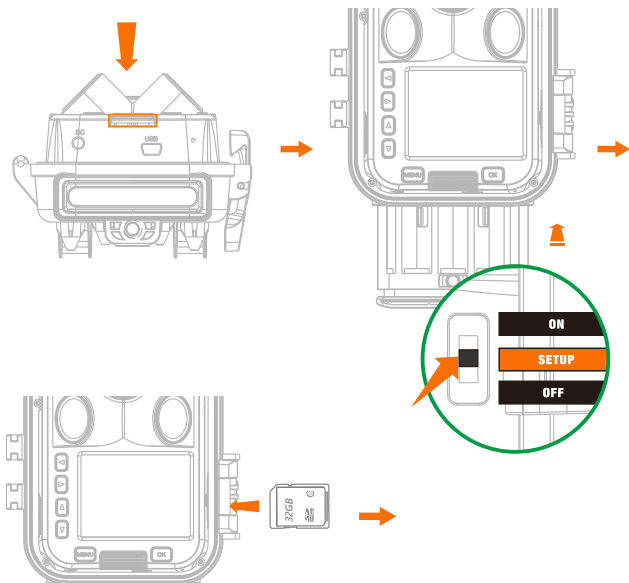
Push the release button to eject the battery case

Load 8 new alkaline batteries

Install the battery case

Insert the SD card

Switch to Setup

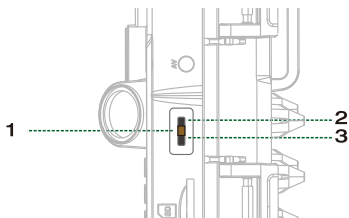


## 5. USING THE CAMERA AND SETUP MENU

### 5.1 Using The Camera

#### 1. Operating Buttons

| Button           | Function   |
|------------------|--|
| MENU             | <ul style="list-style-type: none"><li>● In live view mode with recording stopped. Short press to switch working mode between Video / Photo / Playback / Setup.</li><li>● In setup menu, short press to exit current menu.</li></ul>  |
| Power            | <ul style="list-style-type: none"><li>● Switch the camera mode between OFF / SETUP / ON</li></ul>  |
| UP               | <ul style="list-style-type: none"><li>● In Playback mode, Scroll through the recorded files.</li><li>● In Setup menu, Scroll through the setup menu and adjust values.</li><li>● Long press to turn on WIFI.</li></ul>   |
| OK               | <ul style="list-style-type: none"><li>● In Video mode, short press to start recording video.</li><li>● In Photo mode, short press to take a photo.</li><li>● In Setup menu, short press to confirm selection and changes.</li><li>● In Playback mode, play video.</li><li>● In playback mode, long press the OK button to delete the file.</li></ul> |
| Down             | <ul style="list-style-type: none"><li>● In Playback mode, Scroll through the recorded files.</li><li>● In Setup menu, Scroll through the setup menu and adjust values.</li></ul>   |
| Left Key         | <ul style="list-style-type: none"><li>● Short press to adjust when setting multiple digits in the menu.</li></ul>  |
| Right Key        | <ul style="list-style-type: none"><li>● Short press to adjust when setting multiple digits in the menu.</li><li>● In Video or Photo mode, short press to enter playback mode.</li></ul>  |
| Battery Ejection | <ul style="list-style-type: none"><li>● Push to eject the battery case.</li></ul>  |



1. SETUP 2. ON 3. OFF

## 2. Power Switch

2.1 Shift the switches to choose work mode:



Power off (OFF)



Setup system (SETUP)



Live mode (ON)

The Power Switch is used to control the camera working status.

### **OFF:**

The camera is completely off, only in this mode, you can unplug the memory card, replace the batteries.

### **Setup:**

Under this mode, the camera screen is on, you can manually record video or take photos, you can also review the recorded files or change the setup options according to your own reference.

When the camera is in Setup mode, the PIR sensors are on, when they are triggered, the PIR indicators LED will flash. But in this mode, the camera will not take photos or record video when the PIR sensors are triggered.

### **ON:**

When the camera is switched from SETUP mode to ON mode, it will enter standby with low power consumption, screen display will turn off and button operation will be disabled. The camera will respond to the PIR sensors only. It will turn on and take photo or record videos when the PIR sensor is triggered, then return to standby afterwards.



## 5.2 Setup Menu

### Mode:

Photo, Video, Photo+Video, Select whether photos or videos should be taken when motion is detected. When in the "Photo+Video" mode, the camera first takes a set number of photos prior to recording a video.

### Image Size :

30M / 24M / 20M / 16M / 12M / 8M / 5M / 3M Available

Select the desired resolution for photos. A higher resolution produces a somewhat better photo quality but results in larger files requiring more space on the memory card.

### Picture NO

1P/2P/3P/4P/5P/6P/7P/8P/9P/10P available

### Shutter speed

speed 1/30、1/20、1/15 available

Choose the photo count to be taken when the camera get triggered.

### Resolution

4K P30,2K P30 ,1296 P30,1080 P30,720 P30,480 P30,360 P30

Select the required video resolution.

A higher resolution produces higher quality videos but results in larger files requiring more space on the memory card. Videos are recorded in MP4 format which can be played back on most video devices.

### Video Length

Default 5 seconds, optional 5s-180s,

Specify the duration of a video recording when the camera is triggered automatically. The recording period for videos is not limited in the SETUP mode.

In the SETUP mode in daytime and at night.

- > When recording manually, the camera will stop automatically after 29 minutes' recording;
- > When recording manually, the camera will stop when one video clip size gets to 4 GB,
- > When recording manually, the camera will stop when the memory card is full or low power.

In live mode (ON) at night the camera will work automatically as per the video length setting. For low power, it will stop recording in advance. Please set the shorter video length to guarantee a long-time usage of batteries.

#### **NOTICE:**

Video recording will consume significantly more power than taking photo, especially at night with IR LED on. Please set a shorter video length to ensure battery life.

The power consumption of 10 seconds video recording is the same as 150 photos.

#### **PIR Interval**

5second ~ 59 minutes 59 seconds default 30 secondes

Select the shortest period for the camera to wait before it reacts to the successive triggering of the main sensor after an animal has first been detected.

The camera does not record any photos or videos during the selected interval. This prevents the memory card from being filled with unnecessary shots.

The PIR interval is short, the camera shooting frequency would be high, and there would be high consumption of the power. It would affect the usage days of the batteries.

On the opposite, if the shot lag is long, it would be a lower consumption of power to guarantee a long-time usage.

### PIR Sensitivity.

High / Medium / Low, default Medium

Select the sensitivity according to the applied conditions.

Select "High" For interior areas and environments with little interference

Select "Medium" for exterior areas and environment with a normal amount of interference,

Select "Low" for an environment with a high level of interference.

### IR LED

Auto/Economy/off

Adjust the IR LED brightness. At off, the IR LED will off

### Time Lapse

Press "ON" to set the time interval, and set the values of Hr, Min and Sec.

For example, if the process of flowers blooming has to be recorded, time lapse can be used. The camera automatically takes pictures in every set time intervals.

### Monitoring Period

Timer 1 Start / Timer 1 Stop

Timer 2 Start / Timer 2 Stop

Select "ON" to turn on this function, and set the Timer 1 and Timer 2 to set the starting working and ending working time.

After finishing setting, the camera only works during the set time every day. Beyond the period, the camera is in standby. If the start time is, for instance set to 18:35 and the end time to 8:25, the camera will be operational from 6:35 pm of the current day until 8:25 am of the following day. The camera will not be triggered and will not take any photos or videos outside of this period.

### Record Audio

Turn on/off audio recording

### Side PIR Setup

ON/OFF

### Date/Time

Select Date/Time and press OK to change the Date/Time setting. Use the UP and Down button to adjust values, press OK to confirm change and switch to next digit.

After setting the time and date, press MODE button to exit Date/Time setting.

### Time Format

12H / 24H

Choose 12 hours system or 24 hours system.

### Date Stamp

ON / OFF

Turn on/off display of date watermark on photo

### Camera Name

Setup the camera name and it will be displayed in the photo watermark.

### Beep Sound

ON / OFF

Turn on/off button operation beep sound.

### Language

Select the menu language.

English / French / Spanish / Portuguese / German / Italian / Chinese available.

### Password Setting

Setup a startup password to protect the camera.

ON/OFF,default ON

WIFI SSID

WIFI name,default

Campark-T200

### WiFi Password

Default 12345678

### Auto WiFi Off

Setup the time so the camera will automatically turn off WiFi when it is not connected to a smart phone within the preset time.

### Format

Format the memory card.

### Default Setting

Cancel /OK Press OK to reset the camera settings to the default values.

### Version

Check firmware version.

### MCU FW Update

Firmware Update.

### 5.3 WIFI APP connection

Before using the wifi function, please install the APP application on the smartphone device. Please download and install the app from Google Play or APP store by searching ""Hunting 4K" APP for Android system and IOS system.



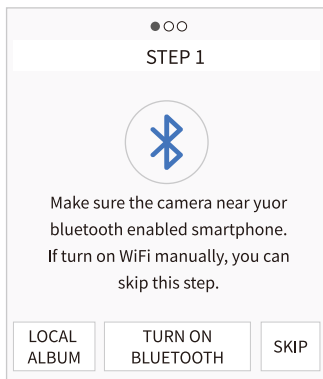
IOS




Android

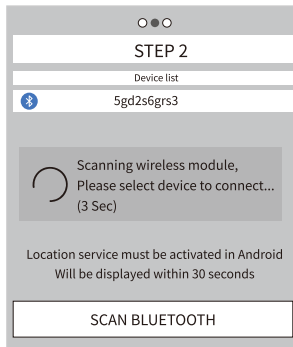
#### 5.3.1 Connect the Bluetooth

Slide the mode switch of the camera to the TEST or ON position, and then turn on the mobile phone click the app and enter STEP1 as show in the following figure.

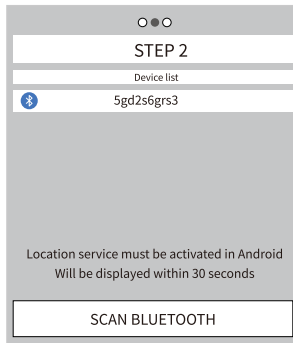


1. Click to enter "LOCAL ALBUM", users can view the picture or video which they download before.

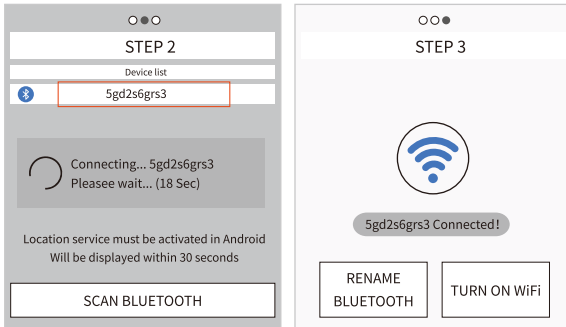
2. When the user doesn't want to use the Bluetooth function, just press the  button on the camera to open the WiFi directly. And press "Skip" in the APP to enter Wifi interface.
3. Click "TURN ON BLUETOOTH", and turn on the Bluetooth accordingly to the prompt of the APP. The APP will enter "STEP2" and automatically search Bluetooth device by itself, as shown the figure below:



4. The searched Bluetooth devices will permutation displayed under the "device list", as shown below:



5. Click the appropriate Bluetooth device, APP would connect with the camera Bluetooth. The mobile phone will pop up the window "Connecting,,, please wait ...". After successful connection the APP would enter into the "STEP 3", and then the camera Bluetooth match successfully with the mobile phone Bluetooth.



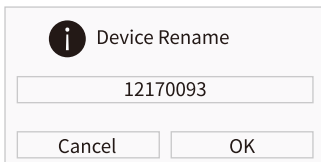
### 5.3.2 WiFi connection

When the Bluetooth connection success, the APP would enter "STEP 3" as shown below diagram.

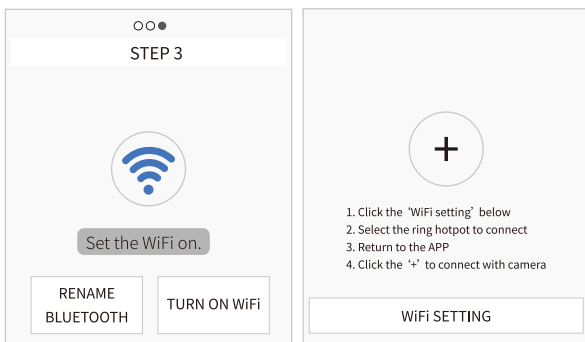




1. Click “RENAME BLUETOOTH”, user could modify the Bluetooth device name accordingly to their own needs, after the modification, click “OK” button and save it. Details as below shown diagram:



2. Click “TURN ON WiFi”, after 5s countdown, it would jump to the interface of “WiFi SETTING”, Details as below shown diagram:

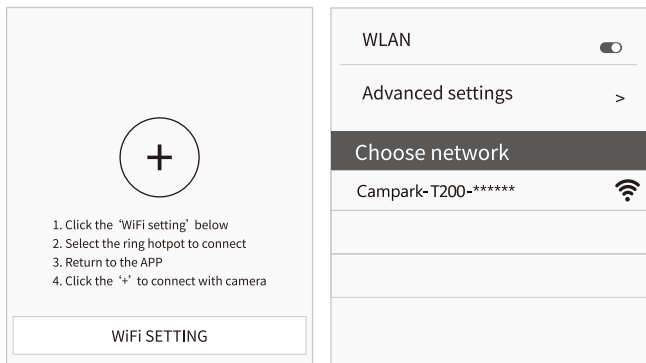


When the camera receives the command to turn on WiFi, the hotspot would be turn on as below shown.

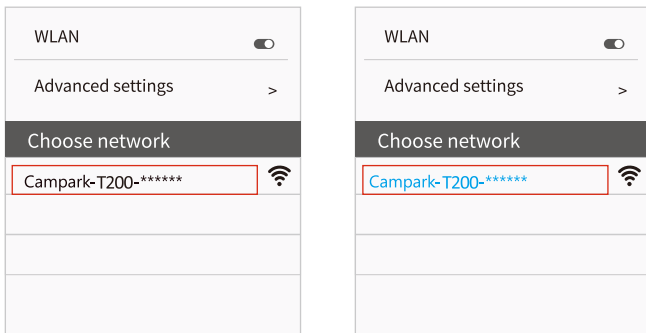


Operate the steps 1~4 following the “WiFi SETTING” interface.

a. Click the “WiFi SETTING” button as below shown.



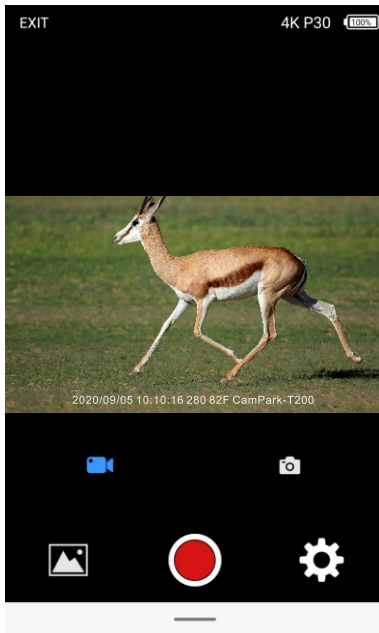
b. Connect with the correct WiFi hotspot, the initial password is 12345678.



After successful connection, the interface display in the camera as below shown:

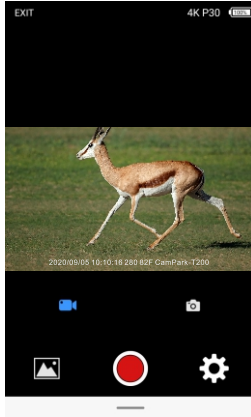
WiFi Connected  
Mac: d8c7714ffc9  
Press UP to Disconnect

c. Return back to APP after the WiFi successful connection. And then the APP would automatically connect with camera. or click “+” to manually connect.



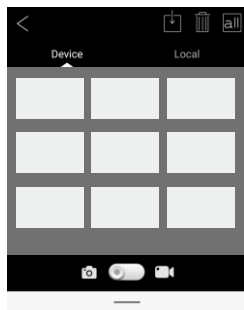
### 5.3.3 APP connection





1. When the APP and camera connect successfully, the interface as below shown:



|        |   |  |                             |
|--------|---|--|-----------------------------|
|        | The connection between camera and mobile phone  |  |                             |
| EXIT   | Turn off the APP, the Bluetooth and WiFi functions between mobile phone and camera would be turn off at the same time.  |  |                             |
| 4K P30 | Display the resolution of the photo or video  |  |                             |
|        | Camera battery level display  |  |                             |
|        | Switch to Video mode  |  | Switch to Taking photo mode |
|        | Mobile phone review pictures or video in the camera   |  |                             |
|        | Connect the camera to video mode or taking photo mode under the control of Mobile phone   |  |                             |
|        | Camera System Setting function.<br><b>Notice:</b> This setting function is synchronized with the camera system setting function. It realizes through the way of wireless. |  |                             |

2. Click the icon  to enter the pictures review as shown below diagram.

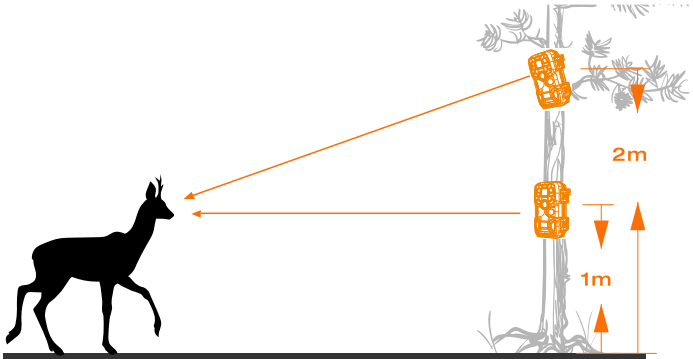


|   |  |
|---|--|
|  | Select the picture or video to download, and press the button to save files to mobile phone.   |
|  | Press this icon to delete the selected the picture or video. After the picture or video is deleted, the file could not be recovered, please use caution. |
|  | Select all the files.  |
|  | Toggle Switch, the switch between picture review and video   |

3. Click the icon  to enter the menu setting, as shown below diagram.

| Setting                         |          |
|---------------------------------|----------|
| Mode                            | Photo>   |
| Image Size                      | 5M>      |
| Sampling(valid in 'ON' mode)    | 1 Photo> |
| Resolution                      | 4K P30>  |
| Record Time(valid in 'ON' mode) | 00:10>   |
| PIR Interval                    | 00:30>   |
| PIR Sensitivity                 | Med>     |
| IR LED                          | Auto>    |
| Time Lapse                      | Off>     |
| Timing Interval                 |          |

## 6. Install the Camera in the field



The SETUP mode is advantageous for determining the best possible detection angle and range of the movement sensor.

For this purpose, attach the camera at approx. 1m-2m height to a tree and align the camera to the desired direction.

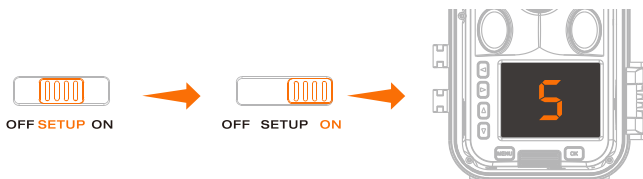
At 1 meter height above the ground, place the camera parallel to the ground. At 2 meters height above the ground, Tilt the camera down five degrees to the ground.

## 7. Enter ON / Live Mode

The standard application of the T200 Camera is the ON / Live mode. In this mode , photos are either triggered by movement sensors or at intervals according to the respective setting.

To set up the ON / Live mode , switch power switch to ON position. The red LED will flash and the screen will count down 5 seconds when you just switch to Live mode (ON), then the camera work automatically and enters the ON / Live mode.

As soon as wild animals or other objects directly enter the detection area of the sensor zone, the camera starts to record photos and videos.



In the daytime. IR LEDs will not light up. The photos and videos are in color.

At night. IR LEDs will light up, and the photos and videos are in black and white.

The PIR Interval is 1 minute defaulted. The optional is 5s-60 min.

Please set up recording mode and related parameters before entering Live mode.

When Flash Light is set to "Auto", the camera will adjust the brightness of IR LEDs automatically in low power.

When shooting at night, the brightness will decrease automatically.

Under ultra low power, the power is not enough to light up the IR LEDs, shooting will stop at night.

## 8. TECHNICAL SPECIFICATION

|                    |   |
|--------------------|---|
| Model              | T200  |
| Image Sensor       | 30 MP CMOS sensor   |
| Photo Resolution   | 30MP/24MP/20MP/16MP/12MP/8MP<br>/5MP/3MP                            |
| Screen             | 2.4 inch LCD Screen   |
| Storage            | SD Card up to 128GB (NOT included)                                  |
| Video Resolution   | 4k P30/2K P30/1296 P30/1080 P30/<br>720 P30/720 P30/480 P30/360 P30 |
| Night Vision Range | 20 Meters (65 ft)   |
| Detection Range    | 20 Meters (65 ft)   |
| Trigger Time       | Up to 0.2 second  |
| Shot Interval      | 5 second ~ 59 minutes 59 seconds                                    |
| IR LEDs            | 38 * 850nm IR LEDs  |
| Detection Angle    | 120°  |
| Media Format       | MP4 / JPG   |
| Interface          | Mini USB  |
| Standby Time       | Approx 6 Months (With 8 new battery)                                |
| Power Supply       | 8 x LR6 1.5V Alkaline battery<br>External DC 6V / 2A                |



## 9. SIMPLE TROUBLE SHOOTING

|   |  |
|---|--|
| <p>The camera will not turn on</p>                          | <ol style="list-style-type: none"><li>1. Please check whether the batteries are installed in proper way.</li><li>2. Check if the battery capacity is low or exhausted. If so, please replace by new batteries.</li></ol>   |
| <p>The camera turns off automatically</p>                   | <ol style="list-style-type: none"><li>1. Please check whether the battery capacity is low or exhausted. If so, try to change new batteries for outdoor using or connect AC adapter for indoor using.</li><li>2. Please check if SD card is full. If so, transfer images and videos to your computer or delete some files in the Replay Mode.</li></ol> |
| <p>It shows "SD card Error"</p>                             | <ol style="list-style-type: none"><li>1. Please ensure that SD card is with class 10 standard or higher level.</li><li>2. Please use the camera to format SD card at the first time.</li></ol>   |
| <p>Videos are choppy or jumpy when played on a computer</p> | <ol style="list-style-type: none"><li>1. Try to use different media players such as VLC player.</li><li>2. Ensure AVI format Video clip can be played on your computer.</li></ol>  |
| <p>The image is not clear</p>                               | <ol style="list-style-type: none"><li>1. Please ensure that you have removed the protective films on IR LEDs and lens before using.</li></ol>  |
| <p>The camera does not take images or record videos</p>     | <ol style="list-style-type: none"><li>1. Check if the memory of SD card is full, transfer images or videos to your computer or delete some files in the Replay Mode.</li></ol>   |

## 9.1 Care

Do not use any corrosive cleaners, such as methylated spirits, thinners, etc. to clean the camera housing and supplied accessory. When required, the clean system components with a soft dry cloth.

## 9.2 Storage

If using batteries to power the camera and the camera is not being used for some time, please remove the batteries from the housing and store the battery separately in a dry place and out of the reach of children.





# Inhaltsverzeichnis

|   |    |
|---|----|
| INHALTSVERZEICHNIS-----                               | 33 |
| 1. PACKLISTE-----                                     | 35 |
| 2. EINFÜHRUNG-----                                    | 36 |
| 2.1. Parameter der Wildkamera-----                    | 36 |
| 2.2. Eigenschaften der Wildkamera-----                | 36 |
| 3. STRUKTURE-----                                     | 37 |
| 4. VORBEREITUNG DER KAMERA-----                       | 40 |
| 5. VERWENDUNG DER KAMERA UND<br>EINSTELLUNGSMENÜ----- | 42 |
| 5.1 Verwendung der Kamera-----                        | 42 |
| 5.2 Einstellungsmenü-----                             | 44 |
| 5.3 WIFI APP Verbindung-----                          | 49 |
| 5.3.1 Bluetooth Verbindung-----                       | 49 |
| 5.3.2 Wi-Fi Verbindung-----                           | 51 |
| 5.3.3 APP Verbindung-----                             | 55 |
| 6. INSTALLATION DER KAMERA IM FELD-----               | 57 |
| 7. Aktivieren Sie den EIN- / Live-Modus-----          | 58 |
| 8. TECHNISCHE SPEZIFIKATIONEN-----                    | 59 |
| 9. EINFACHE FEHLERSUCHE-----                          | 60 |

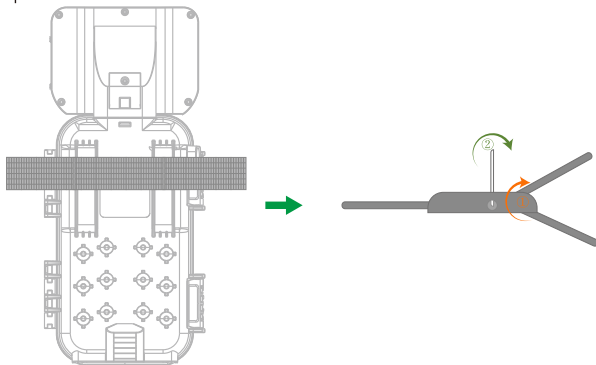


## Schritte:

Es gibt zwei Möglichkeiten, die Campark Wildkamera zu befestigen: mit dem mitgelieferten verstellbaren Gurt oder mit dem Stativgewinde.

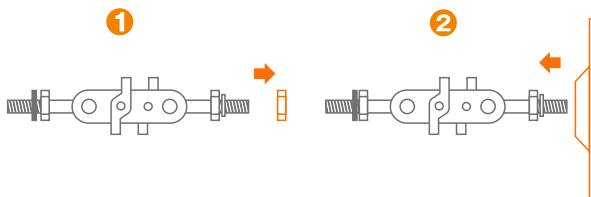
### 1. Verwenden Sie den verstellbaren Gurt

Schieben Sie ein Ende des Gurtes durch die Halterungen auf der Rückseite der Kamera. Ziehen Sie das Ende des Gurtes durch die Schnalle. Befestigen Sie den Gurt sicher um den Baumstamm, indem Sie das Ende des Gurtes fest anstecken, so dass kein Spielraum vorhanden ist.

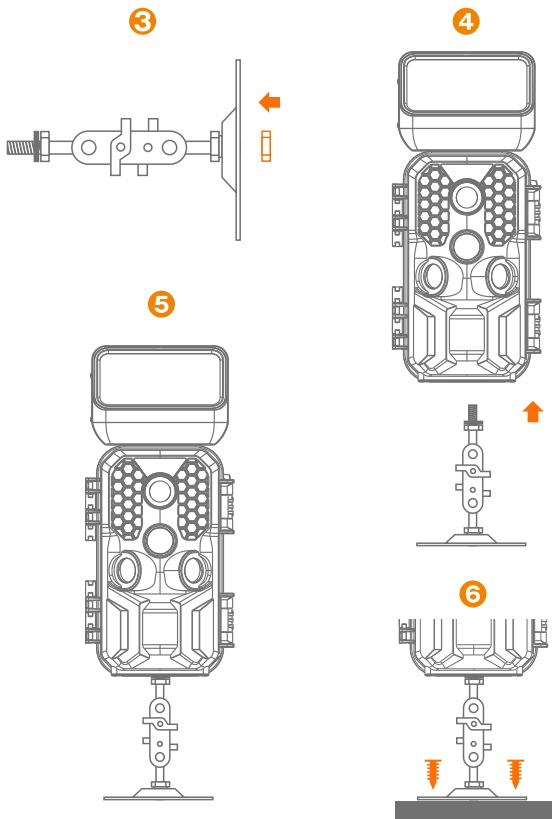


### 2. Verwenden Sie das Stativgewinde

Die Kamera ist an der Unterseite mit einem Chassis ausgestattet und ermöglicht die Montage auf einer von uns bereitgestellten Halterung.



1. Entfernen Sie eine Mutter von der festen Halterung(bitte achten Sie darauf, dass der Eisenring nicht aus der Halterung fällt.)
2. Setzen Sie die Halterung in das Chassis ein.

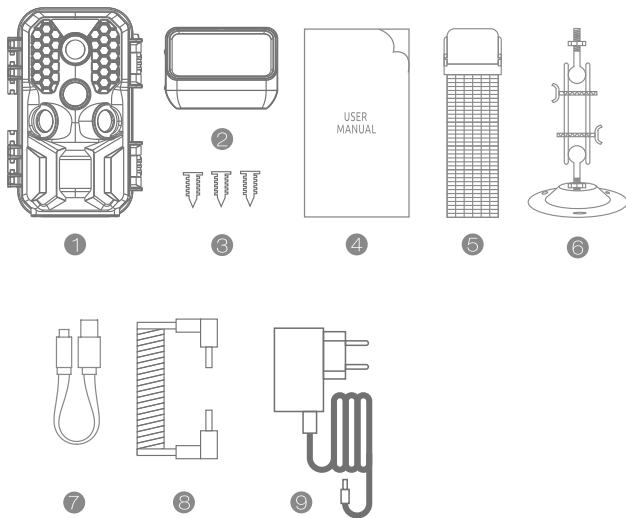


3. Befestigen Sie die Halterung mit der entfernten Mutter am Chassis.
4. Befestigen Sie die Kamera an der Halterung.
5. Die Montage ist abgeschlossen. Sie können die Schwenkschrauben an der Halterung drehen, um es verstärkt zu werden.
6. Verwenden Sie Maueranker und Schrauben, um die Kamera an der Wand (Brett usw.) zu befestigen.



# 1. PACKLISTE

Bitte packen Sie die Kamera sorgfältig aus und prüfen Sie, ob das unten stehende Zubehör in der Verpackung enthalten ist.



1. Wildkamera \*1
2. Sonnenenergie \*1
3. Schrauben \*3
4. Bedienungsanleitung \*1
5. Befestigungsgurt \*1
6. Wandhalterung\*1
7. USB Kabel \*1
8. Solar-Jagdkamera Stromversorgungsleitung \*1
9. Sonnenenergie-Ladegerät \*1

## 2. EINFÜHRUNG

Die Wildkamera ist eine Überwachungskamera mit Infrarotsensor. Der Sensor kann plötzliche Änderungen der Umgebungstemperatur innerhalb eines Auswertebereichs erkennen. Die Signale des hochempfindlichen Infrarotsensors werden (PIR, passiver Infrarotsensor) einschalten, wenn Sie das Bild im Videomodus aktivieren.

### 2.1 Parameter der Wildkamera

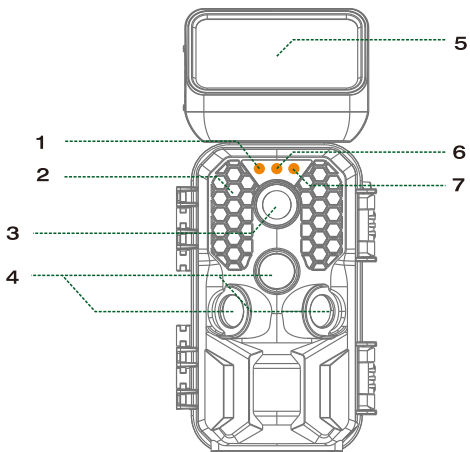
1. CMOS-Sensor
2. 30 Megapixel Foto und 4K UHD Video
3. 6.1 cm (2,4 Zoll) Farb-TFT-LCD: 320 x 240 Pixel
4. 38 Stücke IR-LEDs
5. Vollautomatischer IR-Filter
6. Trigger-Geschwindigkeit: ca. 0.2 Sekunden.
7. Richten Sie den Seriennummer ein, um die Position aufzuzeichnen.
8. Uhrzeit, Datum, Temperatur, Phase und Seriennummer werden auf das Foto gestempelt.
9. Passwortschutz.
10. Leistungsanzeige.
11. Eingebaute Testfunktion zur Umgebungstemperatur.
12. Eingebautes Mikrofon und Lautsprecher.
13. Mini USB 2.0 Schnittstelle.
14. Wasserdichter Standard IP66.
15. Arbeitstemperatur: -20°C bis 60°C.
16. Extrem geringer Stromverbrauch im Standby-Betrieb bietet eine extrem lange Betriebszeit und dauert 6 Monate mit 8-teiligen Batterien, wenn es täglich 50 Stücke Fotos aufgenommen hat.

### 2.2 Eigenschaften der Wildkamera

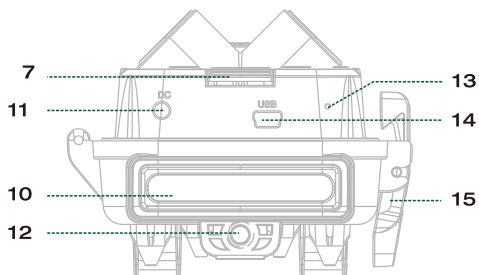
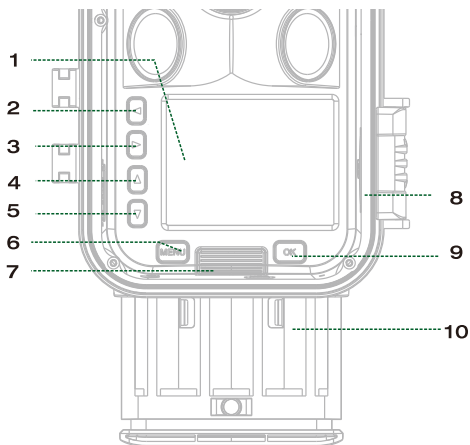
1. Kamerafalle bei der Jagd
2. Tier-oder Ereignisbeobachtung
3. Bewegungsauslösende Überwachungskamera für den Haus-, Büro- oder öffentliche und externe Überwachung.
4. Jeglich interne und externe Überwachung.

### 3. STRUKTURE

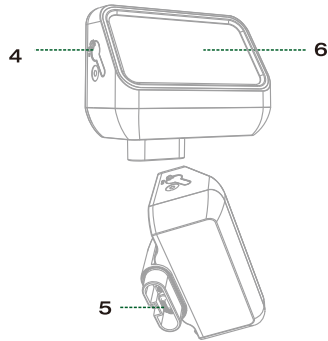
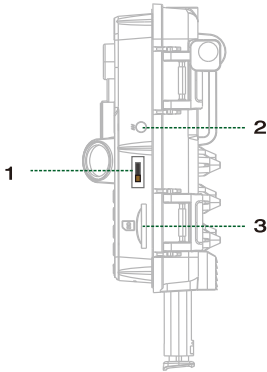
Das Verständnis des Kamerastrukture hilft, dieses Produkt geschickter einzusetzen.



1. Seitenanzeige
2. IR-LEDs
3. Objektive
4. PIR-Sensoren
5. Sonnenenergie
6. Systemanzeige
7. Hauptanzeige



- |                     |                           |
|---------------------|---------------------------|
| 1. Bildschirm       | 9.OK-Taste                |
| 2. Links-Taste      | 10. Batteriefach          |
| 3. Recht-Taste      | 11. DC-Stromeingang       |
| 4. Oben-Taste       | 12. Montage Schraube      |
| 5. Untern-Taste     | 13. Mikrofon              |
| 6. MENÜ             | 14. Mini USB              |
| 7. Batterieauswurf  | 15. Sperrloch für Schloss |
| 8. SD-Kartenschlitz |                           |



1.Stromschalter

2.AV-Ausgang

3.Speicherkartenfach

4.Type-C Stromversorgung-Ausgang

5.DC Stromversorgung -Eingang

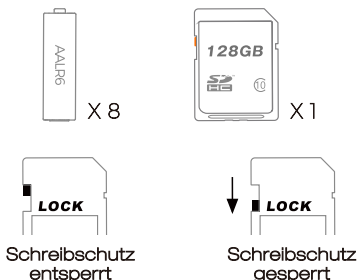
6. Solarpanel

- ▲ 1.Der Monitor wird nur im EINSTELLUNG-Modus eingeschaltet, um Menüeinstellungen zu ändern oder vorhandene Fotos und Videos anzuzeigen.
- 2.Zum Speichern von Fotos und Videos muss eine SD-Speicherkarte in den Speicherkartensteckplatz eingesetzt worden sein.
- 3.Über die Mini-USB-Verbindung(USB 2.0) kann die Kamera an einen Computer angeschlossen werden, um Fotos und Videos herunterzuladen.
- 4.Mit dem Modusschalter können die drei Betriebsarten AUS, EINSTELLUNG und AN ausgewählt werden.
- 5.Type-C Die Schnittstelle wird ausschließlich über das von uns bereitgestellte Solarpanel versorgt.

## 4.VORBEREITUNG DER KAMERA

### Hinweis:

1.SD-Speicherkarten bis zu einer Kapazität von 128 GB werden unterstützt.



2. Für eine optimale Benutzererfahrung empfehlen wir die Verwendung von 8 Alkalibatterien für die Stromversorgung der Kamera, Lithium-Ionen-Akkus werden nicht empfohlen, da die Akkus eine niedrigere Spannung haben und schlechte Leistung bei niedriger Temperatur.
3. Die Kamera muss 4 oder 8 x 1,5 V AA-Batterien eingelegt werden. Verwenden Sie keine neue und alte Batterien zusammen. Die DC-Schnittstelle benötigt einen 6V/2A-Adapter mit 3,5 mm (Außendurchmesser)\* 1,3 mm (Innerer Durchmesser) Steckerkopf.
4. Legen Sie eine MicroSD-Karte der Klasse 10 oder höher ein (U3 empfohlen). Stellen Sie vor dem Einsetzen in die Speicherkarte sicher, dass der seitliche Schreibschutz auf der Speicherkarte nicht verriegelt ist.
5. Schalten Sie die Kamera ein. 3 Schalter: Ausschalten(AUS), Einstellung-Menü/EINSTELLUNG-Modus(EINSTELLUNG) und Live-Modus(AN).
6. Es wird empfohlen, eine neue Speicherkarte bei Verwendung zu formatieren (wie unten beschrieben).
7. Bitte beachten Sie, dass sich die Kamera ausschaltet, wenn die Stromversorgung sehr niedrig ist.

## Wie starten Sie:

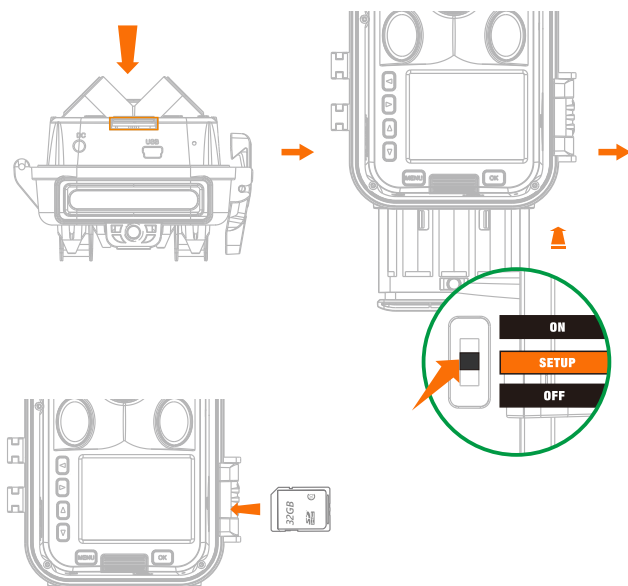
Drücken Sie den Entriegelungsknopf, um das Batteriefach auszuwerfen

Laden Sie 8 neue Alkalibatterien

Installieren Sie das Batteriefach

Legen Sie die SD-Karte ein

Zum Setup wechseln



# 5. VERWENDUNG DER KAMERA UND EINSTELLUNGSMENÜ

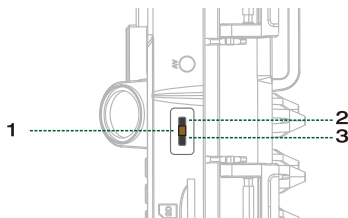
## 5.1 Verwendung der Kamera

### 1. Bedientasten

| Taste           | Funktionen  |
|-----------------|---|
| MENÜ            | 1.Im Live-Ansichtmodus mit gestoppter Aufnahme Drücken Sie die Taste kurz, um den Arbeitsmodus zwischen Video / Foto / Wiedergabe / Einstellung zu wechseln.<br>2.Drücken Sie die Taste im Einstellungsmenü kurz, um das aktuelle Menü zu verlassen.  |
| Betrieb         | Schalten Sie den Kameramodus zwischen AUS / EINSTELLUNG / AN.   |
| OBEN            | 1.Scrollen Sie im Wiedergabemodus durch die Aufnahmedateien.<br>2.Scrollen Sie im Einstellungsmenü durch das Einstellungsmenü und passen Sie die Werte an.  |
| OK              | 1.Drücken Sie die Taste im Videomodus kurz, um die Videoaufnahme zu starten.<br>2.Drücken Sie die Taste im Fotomodus kurz, um ein Foto aufzunehmen.<br>3.Drücken Sie die Taste im Einstellungsmenü kurz, um die Auswahl und die Änderungen zu bestätigen.<br>4.Drücken Sie die Taste im Wiedergabemodus kurz, um Video zu spielen.<br>5.Drücken Sie die Taste im Wiedergabemodus lang, um die Datei zu löschen. |
| UNTERN          | 1.Scrollen Sie im Wiedergabemodus durch die aufgezeichneten Dateien.<br>2.Scrollen Sie im Einstellungsmenü durch das Einstellungsmenü und passen Sie die Werte an.  |
| Linke Taste     | Drücken Sie die Taste kurz, um bei der Einstellung mehrerer Ziffern im Menü eine Anpassung vorzunehmen.   |
| Rechte Taste    | 1. Drücken Sie die Taste kurz, um bei der Einstellung mehrerer Ziffern im Menü eine Anpassung vorzunehmen.<br>2. Drücken Sie im Video- oder Fotomodus kurz, um den Wiedergabemodus aufzurufen.  |
| Batterieauswurf | Drücken Sie die Taste, um das Batteriefach auszuwerfen.   |



1. EINSTELLUNG
2. AN
3. AUS



2. Ein/Ausschalter

2.1 Schalten Sie die Schalter um, um den Arbeitsmodus auszuwählen:



OFF SETUP ON



OFF SETUP ON



OFF SETUP ON

Ausschalten (OFF)

Systemeinstellung (SETUP)

Live Modus (ON)

Mit dem Netzschalter wird der Arbeitsstatus der Kamera gesteuert.

#### AUS:

Die Kamera ist vollständig ausgeschaltet. Nur in diesem Modus können Sie die Speicherkarte wechseln und die Batterien austauschen.

#### Einstellung:

In diesem Modus ist der Kamerabildschirm eingeschaltet. Sie können Videos manuell oder Fotos aufnehmen. Sie können auch die aufgezeichneten Dateien überprüfen oder die Einstellung-Optionen entsprechend Ihrer eigenen Referenz ändern. Wenn sich die Kamera im Einstellungsmodus befindet, sind die PIR-Sensoren eingeschaltet. Wenn sie aufgelöst werden, blinkt die LED der PIR-Anzeigen. In diesem Modus nimmt die Kamera jedoch keine Fotos oder Videos auf, wenn die PIR-Sensoren ausgelöst werden.

#### AN:

Wenn die Kamera vom EINSTELLUNG-Modus in den AN-Modus geschaltet wird, wechselt sie mit gerigem Stromverbrauch in den Standby-Modus, die Bildschirmanzeige wird ausgeschaltet und der Tastenbedien wird deaktiviert. Die Kamera reagiert nur auf die PIR-Sensoren. Sie wird eingeschaltet und nimmt Fotos oder Videos auf, wenn der PIR-Sensor ausgelöst wird, und kehrt anschließend in dem Standby-Modus zurück.

## 5.2 EINSTELLUNGSMENÜ

### Modus:

Foto, Video, Foto+Video. Wählen Sie aus, ob Fotos oder Videos aufgenommen werden sollen, wenn eine Bewegung erkannt wurde. Im Modus "Foto+Video" nimmt die Kamera zunächst eine festgelegte Anzahl von Fotos auf, bevor ein Video aufgenommen wird.

### Fotogröße:

30M/24M/20M/16M/12M/8M/5M/3M Möglich

Wählen Sie die gewünschte Auflösung für die Fotos. Eine höhere Auflösung bietet eine etwas bessere Fotoqualität, führt aber zu größeren Dateien, die mehr Speicherplatz auf der Speicherkarte benötigen.

### Bildzahl

1P/2P/3P/4P/5P/6P/7P/8P/9P/10P/ Bilder sind möglich

### Verschlusszeit

Geschwindigkeit 1/30, 1/20, 1/15 verfügbar

Wählen Sie die Fotozahl, die aufgenommen werden soll, wenn die Kamera ausgelöst wird.

### Auflösung

4K P30, 2K P30, 1296 P30, 1080 P30, 720 P30, 480 P30, 360 P30

Wählen Sie die gewünschte Videoauflösung.

Eine höhere Auflösung erzeugt Videos mit höherer Qualität, führt aber zu größeren Dateien, die mehr Speicherplatz auf der Speicherkarte benötigen. Video werden im MP4-Format aufgezeichnet, das auf den meisten Videogeräten wiedergegeben werden kann.

### Videolänge

Standard 5 Sekunden, optional 5s-180s,

Geben Sie die Dauer einer Videoaufnahme an, wenn die Kamera automatisch ausgelöst wird. Die Aufnahmezeit für Videos ist im EINSTELLUNG-Modus nicht begrenzt.

Im EINSTELLUNG-Modus tagsüber und nachts.

>Bei manueller Aufnahme stoppt die Kamera nach 29 Minuten Aufnahme automatisch.

>Bei manueller Aufnahme stoppt die Kamera, wenn eine Videoclipgröße 4GB erreicht.

>Bei manueller Aufnahme stoppt die Kamera, wenn die Speicherkarte voll oder der Strom schwach ist.

Im Live-Modus(AN) bei Nacht arbeitet die Kamera automatisch gemäß der Einstellung für die Videolänge. Bei geringem Stromverbrauch wird die Aufnahme vorab beendet.

Bitte stellen Sie die kürzere Videolänge ein, um eine lange Nutzung der Batterien zu gewährleisten.

### **BEACHTEN:**

Die Videoaufnahme verbraucht erheblich mehr Strom als das Fotografieren, insbesondere bei Nacht, wenn die IR-LED leuchtet. Bitte stellen Sie eine kürzere Videolänge ein, um die Akkulaufzeit sicherzustellen.

Der Stromverbrauch von 10 Sekunden Videoaufnahme entspricht 150 Fotos.

### **PIR Intervall**

5 Sekunden~59 Minuten 59 Sekunden Standard 30 Sekunden  
Wählen Sie die kürzeste Zeitspanne, in der die Kamera warten soll, bevor sie auf das sukzessive Auslösen des Hauptsensors reagiert, nachdem ein Tier zum ersten Mal erkannt wurde.

Die Kamera nimmt während des ausgewählten Intervalls keine Bilder oder Videos auf. Dies verhindert, dass die Speicherkarte mit unnötigen Aufnahmen gefüllt wird.

Das PIR-Intervallzeit ist sehr kurz, so macht die Wildkamera sehr viele Aufnahmen, wird einen sehr hohen Stromverbrauch dargestellt und die Laufzeit der Batterien verkürzt.

Im Gegenteil, wenn die Schussverzögerung lang ist, wäre dies ein geringerer Stromverbrauch, um eine langfristige Nutzung zu gewährleisten

### PIR Empfindlichkeit

Hoch/Medium/Niedrig, Standard Medium

Wählen Sie die Empfindlichkeit entsprechend den angewendeten Bedingungen.

Wählen Sie "Hoch" für Innenbereiche und Umgebungen mit geringen Störungen.

Wählen Sie "Medium" für Außenbereiche und Umgebungen mit normalen Störungen.

Wählen Sie "Niedrig" für eine Umgebung mit hoher Interferenz.

### IR LED

Auto/Economy/Aus

Stellen Sie die IR-LED-Helligkeit ein. Wenn sie ausgeschaltet ist, wird die IR-LED ausgeschaltet.

### Zeitraffer

Drücken Sie "AN", um das Zeitintervall einzustellen, und stellen Sie die Werte für Std., Min und Sek. ein.

Zum Beispiel, wenn der Prozess des Blühens der Blumen aufgezeichnet werden, kann Zeitraffer-Funktion verwendet werden.

Die Kamera nimmt automatisch Bilder in allen festgelegten Zeitintervallen auf.

### Überwachungszeitraum

Timer 1 Start/Timer 1 Stopp

Timer 2 Start/Timer 2 Stopp

Wählen Sie "AN", um diese Funktion einzuschalten, und stellen Sie Timer 1 und Timer 2 ein, um die Startarbeits- und Endarbeitszeit einzustellen. Nach Abschluss der Einstellung arbeitet die Kamera jeden Tag nur während der eingestellten Zeit. Über den Zeitraum hinaus befindet sich die Kamera im Standby-Modus. Wenn die Startzeit beispielsweise auf 18:35 Uhr und die Endzeit auf 8:25 Uhr eingestellt ist, ist die Kamera von 18:35 Uhr des aktuellen Tages bis 8:25 Uhr des folgenden Tages betriebsbereit. Die Kamera wird nicht ausgelöst und nimmt außerhalb dieses Zeitraums keine Fotos oder Videos auf.

### Audioaufnahme

Schalten Sie Audioaufnahme ein/aus

### Seite PIR Einstellung

EIN/AUS

### Datum/Zeit

Wählen Sie Datum / Uhrzeit und drücken Sie OK, um die Einstellung für Datum / Uhrzeit zu ändern. Verwenden Sie die Tasten OBEN und UNTEN, um die Werte einzustellen, drücken Sie OK, um die Änderung zu bestätigen und zur nächsten Ziffer zu wechseln. Drücken Sie nach dem Einstellen von Uhrzeit und Datum die MODE-Taste, um die Datums- / Uhrzeiteinstellung zu beenden.

### Zeitformat

12S / 24S

Wählen Sie ein 12 Stunden System oder ein 24 Stunden System.

### Datumsstempel

EIN / AUS

Schalten Sie die Anzeige des Datumswasserzeichens auf dem Foto ein / aus.

### Kameraname

Richten Sie den Kameranamen ein und er wird im Fotowasserzeichen angezeigt.

### Piepton

EIN / AUS

Schalten Sie Betrieb-Piepton ein/aus.

### Sprache

Wählen Sie die Menüsprache.

Englisch / Französisch / Spanisch / Portugiesisch / Deutsch / Italienisch / Chinesisch verfügbar.

### Passwort-Einstellung

Richten Sie ein Startpasswort ein, um die Kamera zu schützen.

### EIN/AUS, Standard EIN

WIFI SSID

### WIFI Name, Standard

Campark-T200

### WIFI Passwort

Standard 12345678

### Auto Wi-Fi Aus

Stellen Sie die Zeit so ein, dass die Kamera das Wi-Fi automatisch abschaltet, wenn sie innerhalb der voreingestellten Zeit nicht mit einem Smartphone verbunden ist.

### Formatierung

Formatieren Sie die Speicherkarte.

### Standard-Einstellung

Abbrechen/OK

Drücken Sie OK, um die Kameraseinstellungen auf die Standardwerte zurückzusetzen.

### Version

Überprüfen Sie die Firmware-Version.

### MCU FW Update

Firmware Update

### 5.3 Wi-Fi APP Verbindung

Bevor Sie die Wi-Fi Funktion nutzen, installieren Sie die entsprechende App auf Ihrem Smartphone. Bitte laden Sie die App in Google Play oder im Appstore herunter. Nutzen Sie hierfür das Stichwort "Hunting 4K".



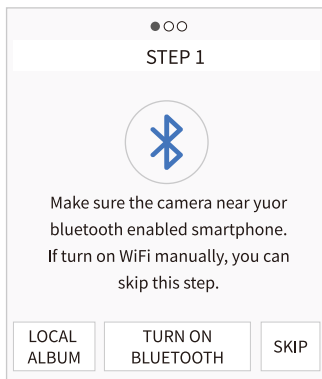
IOS




Android

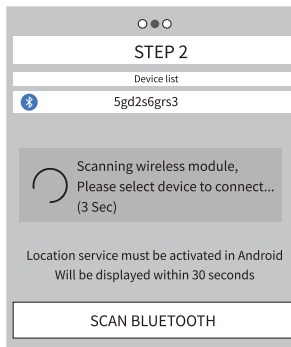
#### 5.3.1 Bluetooth Verbindung

Schieben Sie den Modusschalter der Kamera in die Position TEST oder EIN und öffnen Sie die App auf Ihrem Smartphone, wie folgendes Bild.

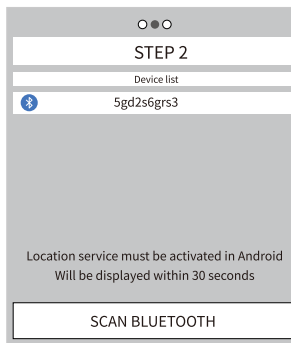


1.Unter "LOCAL ALBUM" können Sie die Bilder und Videos ansehen, die Sie bereits heruntergeladen haben.

2. Wenn Sie die Bluetooth Funktion nicht nutzen wollen, drücken Sie die  Taste auf der Kamera, um Wi-Fi zu aktivieren. Drücken Sie "Skip" auf der App, um in den Wi-Fi Modus zu gelangen.
3. Drücken Sie "SCHALTEN BLUETOOTH AN". Die App wird Ihr Bluetooth aktivieren (sofern nicht bereits erfolgt) und springt automatisch auf "SCHRITTE 2". Dort sucht Sie ein passendes Bluetooth-Gerät, wie auf dem folgenden Bild.

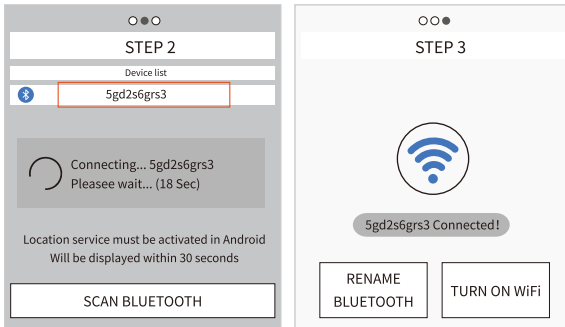


4. Die gefundenen Bluetooth Geräte werden unter "Gerätesliste" angezeigt, wie folgendes:



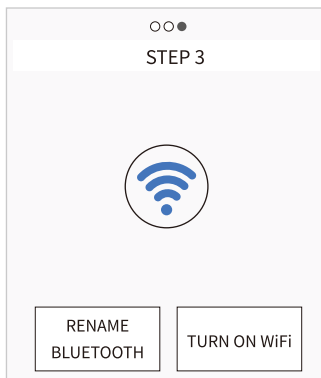


5. Wählen Sie Ihr entsprechendes Bluetooth Gerät aus, die App verbindet sich dann mit der Kamera. Ihr Smartphone zeigt die Anzeige "Anschließend...bitte warten...". Nach der erfolgreichen Koppelung springt die App auf "SCHRITTE 3". Nun ist das Smartphone erfolgreich mit der Kamera gekoppelt.

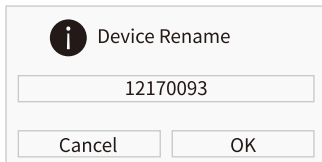


### 5.3.2 Wi-Fi Verbindung

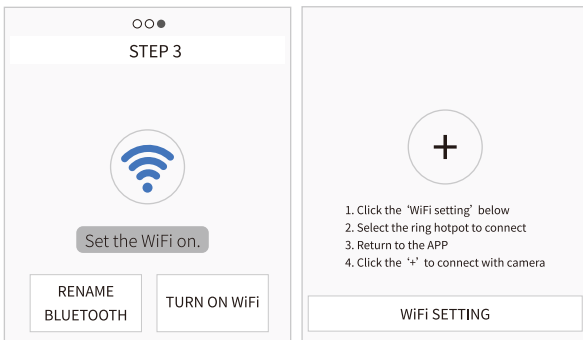
Wenn die Verbindung erfolgreich war, zeigt Ihre App "SCHRITTE 3" an.



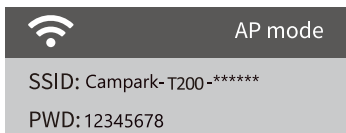
1.Unter "UNBENENNEN BLUETOOTH" können Sie den Anzeigenamen der Kamera nach Ihren Wünschen ändern. Um zu speichern müssen Sie "OK" wählen. Das Fenster sieht aus wie folgt:



2. Wenn Sie 5 Sekunden lang die Taste "SCHLATEN WIFI AN" gedrückt halten, erreichen Sie das "Wi-Fi EINSTELLUNG" Menü.

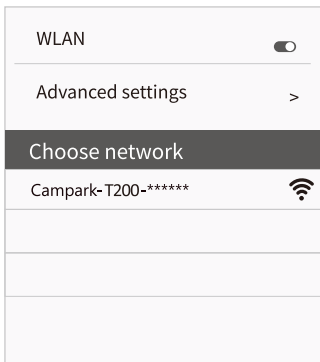
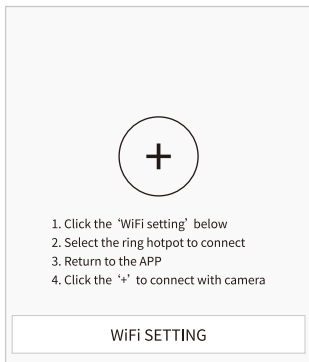


Sobald die Kamera den Befehl erhält, das Wi-Fi anzuschalten, wird der Hotspot wie folgt angezeigt.

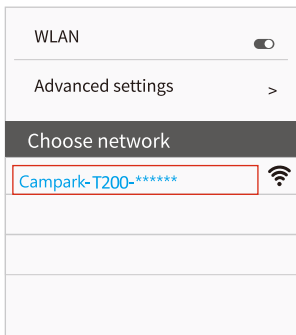
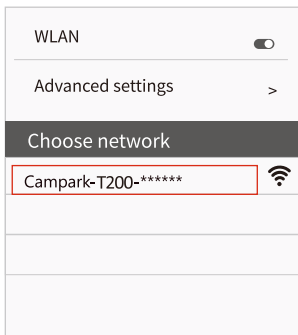


Führen Sie die Schritte 1 - 4 des "Wi-Fi EINSTELLUNG" Oberfläche durch.

a. Drücken Sie "Wi-Fi EINSTELLUNG" wie folgt aufgeführt.



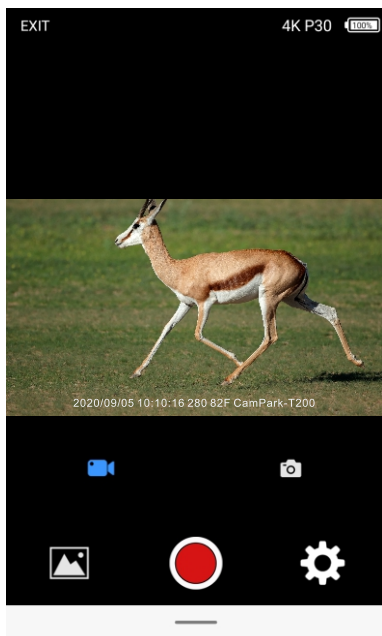
b. Verbinden Sie das richtige Wi-Fi Hotspot der Kamera. Das Initialkennwort lautet: 12345678.



Nach der erfolgreichen Verbindung zeigt die Kamera folgendes Bild an:

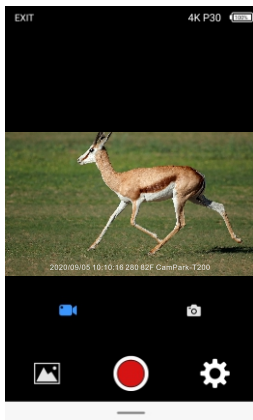
WiFi Connected  
Mac: d8c7714ffc9  
Press UP to Disconnect

C.Sie kehren zum Hauptmenü der App nach erfolgreicher Koppelung zurück. Die App verbindet sich nun automatisch mit der Kamera. Optional klicken Sie "+" für eine manuelle Koppelung.



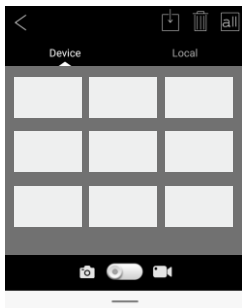
### 5.3.3 APP Verbindung





Wenn die App und die Kamera erfolgreich verbunden sind, wird folgendes Bild agezeigt:



|        |   |  |                         |
|--------|---|--|-------------------------|
|        | Die Verbindung zwischen der Kamera und dem Smartphone   |  |                         |
| EXIT   | Schaltet die App aus. Die Bluetooth sowie Wi-Fi Verbindung schaltet sich automatisch ebenfalls aus.   |  |                         |
| 4K P30 | Die Fotoauflösung oder Videoauflösung.  |  |                         |
|        | Batterieanzeige.  |  |                         |
|        | Wechselt auf Videomodus.  |  | Wechselt auf Fotomodus. |
|        | Bilder oder Videos, die auf der Kamera gespeichert sind.  |  |                         |
|        | Verbindet die Kamera mit dem Videomodus oder dem Fotomodus unter der Kontrolle des Mobiltelefons.   |  |                         |
|        | Kamerasystemeinstellungsfunktion<br><b>Hinweis:</b> Die Einstellungsfunktion ist synchronisiert mit den Einstellungen der Kamera gekoppelt. Es realisiert drahtlos. |  |                         |

2. Klicken Sie auf das Symbol , um die Bildüberprüfung aufzurufen, wie in der folgenden Abbildung gezeigt.

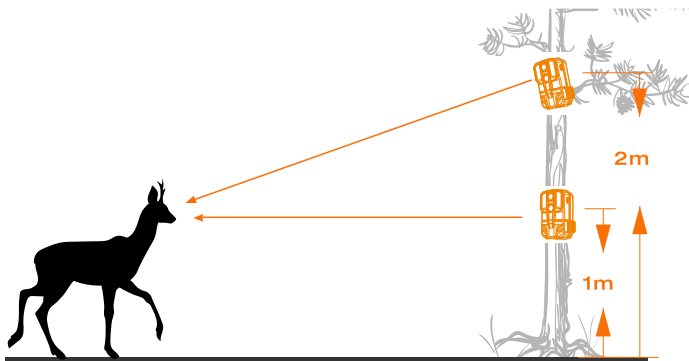


|   |  |
|---|--|
|  | Wählen Sie das Bild oder Video aus, das Sie herunterladen möchten, und drücken Sie die Taste, um die Dateien auf em Mobiltelefon zu speichern.   |
|  | Drücken Sie die Symbol, um das ausgewählte Bild oder Video zu löschen. Nach dem Löschen des Bildes oder Videos konnte die Datei nicht mehr wiederhergestellt werden, bitte mit Vorsicht. |
|  | Wählen Sie alle Dateien.   |
|  | Wechselschalter, der Umschalter zwischen Bildüberprüfung und Video.  |

3. Klicken Sie auf das Symbol , um die Menüeinstellung aufzurufen, wie in der Abbildung unten dargestellt.

| < Einstellungen                      |         |
|--------------------------------------|---------|
| Modus                                | Foto>   |
| Fotogröße                            | 5M>     |
| Probenahme (gültig im "EIN" Modus)   | 1 Foto> |
| Auflösung                            | 4K P30> |
| Aufnahmezeit (gültig im "EIN" Modus) | 00:10>  |
| PIR-Intervall                        | 00:30>  |
| PIR-Empfindlichkeit                  | Med>    |
| IR-LED                               | Auto>   |
| Zeitraffer                           | Aus>    |
| Zeitintervall                        |         |

## 6.Installieren Sie die Kamera in den Feld



Der EINSTELLUNG-Modus ist vorteilhaft, um den bestmöglichen Erfassungswinkel und Reichweite des Bewegungssensors zu bestimmen.

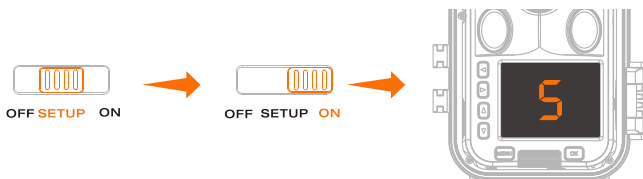
Bringen Sie dazu die Kamera an ca. 1m-2m Höhe zu einem Baum und richten Sie die Kamera in die gewünschte Richtung.

Stellen Sie die Kamera in 1 Meter Höhe über dem Boden parallel zum Boden auf. Kippen Sie die Kamera in 2 Meter Höhe über dem Boden um fünf Grad nach unten.

## 7. Aktivieren Sie den EIN- / Live-Modus

Die Standardanwendung der T200-Kamera ist der EIN- / Live-Modus. In diesem Modus werden Fotos entweder von Bewegungssensoren oder in Intervallen entsprechend der jeweiligen Einstellung ausgelöst.

Um den EIN- / Live-Modus einzurichten, schalten Sie den Netzschalter auf EIN. Die rote LED blinkt und der Bildschirm zählt 5 Sekunden herunter, wenn Sie nur in den Live Modus(EIN) wechseln. Dann arbeitet die Kamera automatisch und wechselt in den EIN- / Live-Modus. Sobald wilde Tiere oder andere Objekte direkt in den Erfassungsbereich der Sensorzone gelangen, beginnt die Kamera mit der Aufnahme von Fotos und Videos.



Die IR-LEDs leuchten am Tag nicht. Die Fotos und Videos sind in Farbe.

Die IR-LEDs leuchten nachts auf und die Fotos und Videos sind schwarzweiß.

Das PIR Interval beträgt standardmäßig 1 Minute. Die Option ist 5s-60 min.

Bitte richten Sie den Aufnahmemodus und die zugehörigen Parameter ein, bevor Sie in den Live-Modus wechseln.

Wenn Blitzlicht auf "Auto" eingestellt ist, passt die Kamera die Helligkeit der IR-LEDs bei geringerer Leistung automatisch an.

Bei Nachtaufnahmen nimmt die Helligkeit automatisch ab.

Bei ultrageringer Leistung reicht die Leistung nicht aus, um die IR-LEDs zu beleuchten, die Aufnahme wird nachts unterbrochen.



## 8. TECHNISCHE SPEZIFIKATIONEN

|                       |   |
|-----------------------|---|
| Modell                | T200  |
| Fotosensor            | 30 MP COMS sensor   |
| Fotoauflösung         | 30MP/24MP/20MP/16MP/12MP/8MP<br>/5MP/3MP                            |
| Bildschirm            | 2.4 Zoll LCD Bildschirm   |
| Speicher              | Unterstützt SD Karte bis 128GB<br>(NICHT inklusive)                 |
| Videoauflösung        | 4k P30/2K P30/1296 P30/1080 P30/<br>720 P30/720 P30/480 P30/360 P30 |
| Nachtsicht-Reichweite | 20 Meter(65ft)  |
| Erkennungsbereich     | 20 Meter(65ft)  |
| Auslösezeit           | 0.2 Sekunden  |
| Schuss Intervall      | 5 Sekunden-59 Minuten 59 Sekunden                                   |
| IR-LEDs               | 38*850nm IR LEDs  |
| Erkennungswinkel      | 120°  |
| Medienformat          | MP4 / JPG   |
| Schnittstelle         | Mini USB  |
| Standby-Zeit          | ca. 6 Monate(Mit 8 neuen Batterien)                                 |
| Stromversorgung       | 8 x LR6 1.5V Alkaline Batterie<br>Extern: DC 6V / 2A                |

## 9.EINFACHE FEHLERSUCHE

|   |   |
|---|---|
| <p>Die Kamera schaltet sich nicht ein.</p>  | <ol style="list-style-type: none"> <li>1. Überprüfen Sie, ob die Batterien korrekt eingelegt sind,</li> <li>2. Überprüfen Sie, ob die Batteriekapazität niedrig ist. Wenn ja, ersetzen Sie diese bitte durch neue Batterien.</li> </ol>   |
| <p>Die Kamera schaltet sich automatisch aus.</p>  | <ol style="list-style-type: none"> <li>1. Überprüfen Sie, ob die Batteriekapazität niedrig ist. Versuchen Sie in diesem Fall, neue Batterien einzulegen, oder schließen Sie das Netzteil für den Innenbereich an.</li> <li>2. Bitte überprüfen Sie, ob die SD-Karte voll ist. Wenn ja, übertragen Sie Bilder und Videos auf Ihren Computer oder löschen Sie einige Dateien im Wiedergabemodus.</li> </ol> |
| <p>Es zeigt "SD Karte Fehler"</p>   | <ol style="list-style-type: none"> <li>1.Stellen Sie sicher, dass die SD-Karte dem Standard der Klasse10 oder höher entspricht.</li> <li>2.Formatieren Sie die SD-Karte bei der ersten Vorwendung in der Wildkamera.</li> </ol>   |
| <p>Videos sind abgehackt oder unruhig, wenn sie auf einem Computer abgespielt werden.</p> | <ol style="list-style-type: none"> <li>1.Versuchen Sie, verschiedene Mediaplayer wie den VLC-Player zu verwenden..</li> <li>2.Stellen Sie sicher, dass der Videoclip im AVI-Format auf Ihrem Computer abgespielt werden kann.</li> </ol>  |
| <p>Das Bild ist unscharf.</p>   | <ol style="list-style-type: none"> <li>1.Bitte stellen Sie sicher, dass Sie die Schutzfolien von den IR-LEDs und Linsen entfernt haben, bevor Sie die Wildkamera verwenden.</li> </ol>  |
| <p>Die Kamera nimmt keine Bilder oder Videos auf.</p>                                     | <ol style="list-style-type: none"> <li>1.Überprüfen Sie, ob der Speicher der SD-Karte voll ist, übertragen Sie Bilder oder Videos auf Ihren Computer oder löschen Sie einige Dateien im Wiedergabemodus.</li> </ol>   |

## **9.1 Pflege**

Verwenden Sie keine scharfen Reinigungsmittel wie Spiritus, Verdünner usw., um das Kameragehäuse und das mitgelieferte Zubehör zu reinigen. Bei Bedarf reinigen Sie die Systemkomponenten mit einem weichen, trockenen Tuch.

## **9.2 Speicher**

Nehmen Sie immer die Batterien oder Akkus aus dem Gerät, wenn Sie die Wildkamera längere Zeit nicht benutzen. Dies verhindert ein mögliches auslaufen der Batterien. Bewahren Sie die Batterien an einem trocken Ort auf, sowie außerhalb der Reichweite von Kindern.









