

此页不印刷（本文件共24页）

SIZE:90mm X 120mm

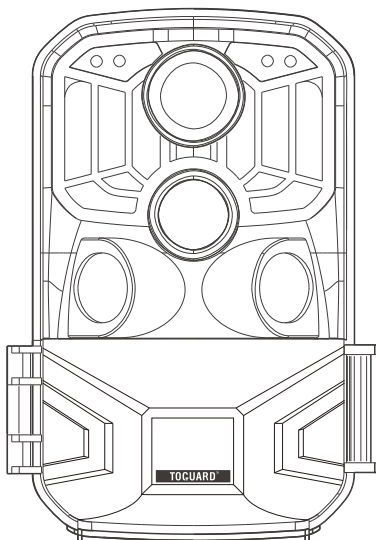
材质: 封面铜版纸 内页: 书纸

工艺: 封面过亚膜

 PANTONE Black C

注意：不要随便删减空白页（特别是封面内页不能出现印刷内容）

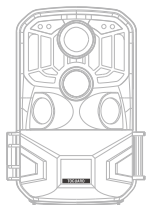
H80 Trail Camera



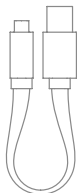
Instruction Manual

1. PACKING LIST

Please carefully unpack camera and check that below accessories are contained in the box.



1



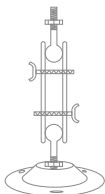
2



3



4



5



6

- 1.Wildlife Camera x 1
- 2.USB cable x 1
- 3.Instruction Manual x 1
- 4.Mounting Belt x 1
- 5.Wall Mount x 1
- 6.Screws x 3

2. INTRODUCTION

The Wildlife Camera is a wildlife and surveillance camera with an infrared sensor. The sensor can detect sudden changes to the ambient temperature within an evaluation area. The signals of the highly sensitive infrared sensor (PIR, passive infrared sensor) switch on the camera, activating picture or video mode.

2.1 Features Of Wildlife Camera

1. CMOS sensor.
- 2.20Megapixels photo and 1080P HD video.
- 3.6.1 cm (2.4)' color TFT LCD: 320x240 pixels
- 4.38 pcs IR LEDs.

- 5.Full automatic IR filter.
- 6.Trigger speed: Approx. 0.3 second.
- 7.Setup Serial No. to record the position.
- 8.Time, date, temperature, phase and Serial No. will be stamped on the photo.
- 9.Password protection.
- 10.Power indicating.
- 11.Built-in test function about environmental temperature.
- 12.Built-in microphone and speaker.
- 13.Mini USB 2.0 interface.
- 14.Waterproof standard IP56.
- 15.Working temperature: -20°C to 60°C.
- 16.Extremely low power consumption in standby operation providing extremely long operating time, lasts 6 months with 8 pcs batteries when taking 50 pics photos every day.

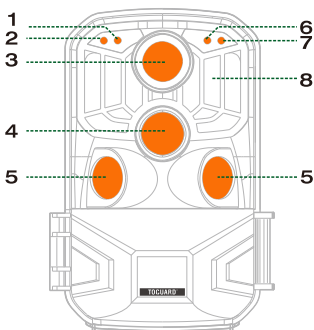
2.2 Features Of Wildlife Camera

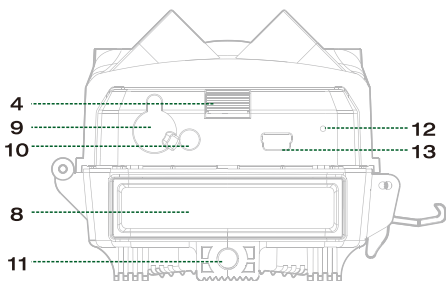
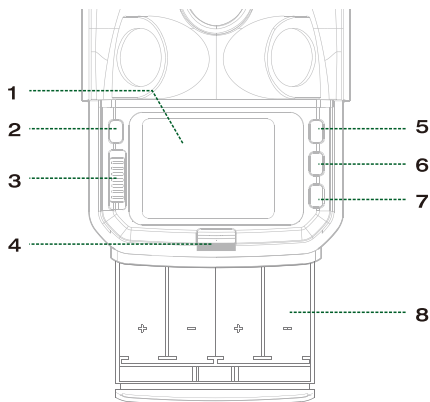
- 1.Camera trap for hunting
- 2.Animal or incident observation.
- 3.Motion triggered security camera for domestic, office or public use.
- 4.Any internal and external surveillance.

3. STRUCTURE

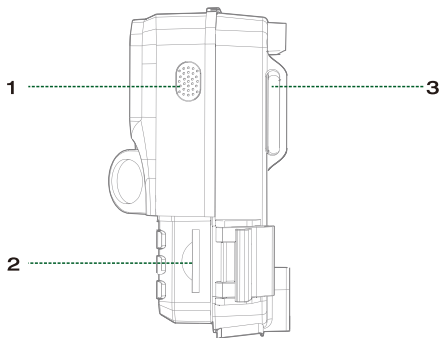
Understanding the camera structure helps to use this product more skillfully.

- 1.Light Sensor
- 2.Side PIR Sensor
- 3.Lens
- 4.Main PIR Sensor
- 5.Side PIR Sensor
- 6.System Indicator
- 7.Main PIR Indicator
- 8.IR LEDs.





- | | |
|------------------------|------------------|
| 1.Screen | 9.DC Power Input |
| 2.Mode | 10.AV Out |
| 3.Power Switch | 11.Mount Screw |
| 4.Battery Case Release | 12.Micphone |
| 5.UP | 13.Mini USB |
| 6.OK | |
| 7.Down | |
| 8.Battery Case | |



1.Speaker

2.SD Card Slot

3.Strap Slot

- ▲ 1.The monitor is only switched on in the SETUP mode for changing menu settings or viewing existing photos and videos.
- 2.A SD memory card must have been inserted into the memory card slot to save photos and videos.
- 3.Using the mini USB connection (USB 2.0), the camera can be connected to a computer to download photos and videos.
- 4.Using the mode switch, the three operating modes:OFF,SETUP and ON can be selected.

4. PREPARING THE CAMERA

Note :

1. SD memory cards up to a capacity of 32 GB are supported.



2. For best using experience, we recommend using 8 alkaline batteries to power the camera, lithium-ion rechargeable batteries are not recommended because rechargeable batteries have lower voltage output and poor performance under low temperature.
3. The camera must be inserted 4 or 8 x 1.5V AA batteries . Do not use new and old batteries together. DC interface need 6V/1.5A adaptor with 3.5 mm (outer diameter) s*1 .3 mm (inner D) plug head.
4. Insert CLASS6 or higher class micro SD card (CLASS10 recommend). Prior to insert into memory card, ensure that the lateral write protection on the memory card has not been locked.
5. Switch on the camera. 3 switches: power off (OFF) ,setup menu /SETUP mode (SETUP) and live mode (ON) .
6. New memory card is recommended to be formatted when using (as below described).
7. Please note that the camera will power off when power is very low.

How to start:

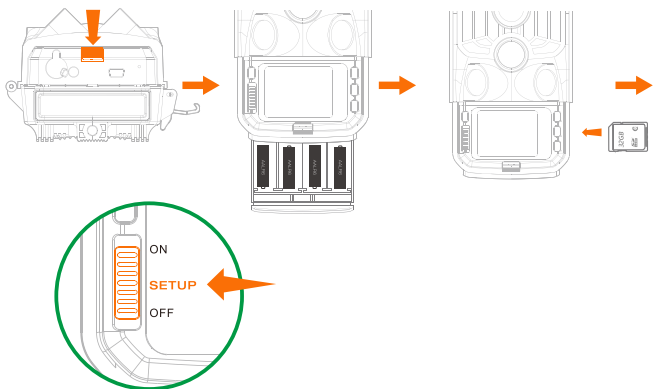
Push the release button to eject the battery case

Load 8 new alkaline batteries

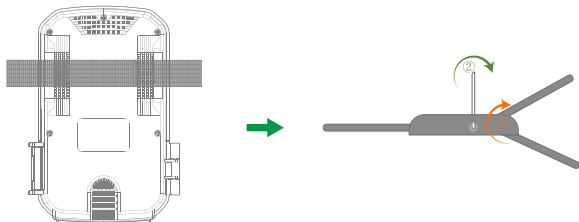
Install the battery case

Insert the SD card

Switch to Setup



Assembly With Strap

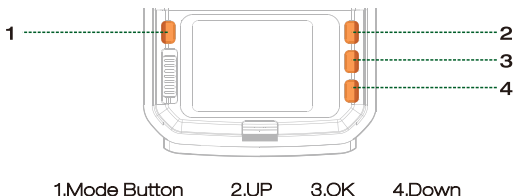


5. USING THE CAMERA AND SETUP MENU

5.1 Using The Camera

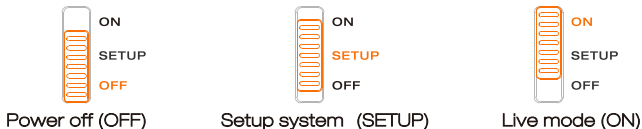
1. Operating Buttons

Button	Function
Mode	<ul style="list-style-type: none">● In live view mode with recording stopped. Short press to switch working mode between Video / Photo / Playback / Setup.● In setup menu, short press to exit current menu.
Power	<ul style="list-style-type: none">● Switch the camera mode between OFF / Setup / ON
UP	<ul style="list-style-type: none">● In Playback mode, Scroll through the recorded files.● In Setup menu, Scroll through the setup menu and] adjust values.
OK	<ul style="list-style-type: none">● In Video mode, short press to start recording video.● In Photo mode, short press to take a photo.● In Setup menu, short press to confirm selection and changes.
Down	<ul style="list-style-type: none">● In Playback mode, Scroll through the recorded files.● In Setup menu, Scroll through the setup menu and adjust values.
Battery Case Eject	<ul style="list-style-type: none">● Push to eject the battery case.



2.Power Switch

2.1 Shift the switches to choose work mode:



The Power Switch is used to control the camera working status.

OFF:

The camera is completely off, only in this mode, you can unplug the memory card, replace the batteries.

Setup:

Under this mode, the camera screen is on, you can manually record video or take photos, you can also review the recorded files or change the setup options according to your own reference.

When the camera is in Setup mode, the PIR sensors are on, when they are triggered, the PIR indicators LED will flash. But in this mode, the camera will not take photos or record video when the PIR sensors are triggered.

ON:

When the camera is switched from SETUP mode to ON mode, it will enter standby with low power consumption, screen display will turn off and button operation will be disabled. The camera will respond to the PIR sensors only. It will turn on and take photo or record videos when the PIR sensor is triggered, then return to standby afterwards.

5.2 Setup Menu

Mode:

Photo, Video, Photo+Video, Select whether photos or videos should be taken when motion is detected. When in the "Photo+Video" mode, the camera first takes a set number of photos prior to recording a video.

Image Size :

20MP / 16MP / 12MP / 10MP / 8MP / 5MP / 3MP / 2MP Available

Select the desired resolution for photos. A higher resolution produces a somewhat better photo quality but results in larger files requiring more space on the memory card.

Picture NO

1 P / 2P / 3P available

Choose the photo count to be taken when the camera get triggered.

Resolution

1728*1296P, 1920x1080P, 1280x720P, 720x480P, 640x480P.

Select the required video resolution.

A higher resolution produces higher quality videos but results in larger files requiring more space on the memory card. Videos are recorded in MP4 format which can be played back on most video devices.

Video Length

Default 5 seconds, optional 5s-180s,

Specify the duration of a video recording when the camera is triggered automatically. The recording period for videos is not limited in the SETUP mode.

- In the SETUP mode in daytime and at night.
 - > When recording manually, the camera will stop automatically after 29 minutes' recording;
 - > When recording manually, the camera will stop when one video clip size gets to 4 GB,
 - > When recording manually, the camera will stop when the memory card is full or low power.
- In live mode (ON) at night the camera will work automatically as per the video length setting. For low power, it will stop recording in advance.
- Please set the shorter video length to guarantee a long-time usage of batteries.

NOTICE:

Video recording will consume significantly more power than taking photo, especially at night with IR LED on. Please set a shorter video length to ensure battery life.

The power consumption of 10 seconds video recording is the same as 150 photos.

PIR Interval

1 seconds ~ 59 minutes 59 seconds

Select the shortest period for the camera to wait before it reacts to the successive triggering of the main sensor after an animal has first been detected.

The camera does not record any photos or videos during the selected interval. This prevents the memory card from being filled with unnecessary shots.

- The shot lag is short, the camera shooting frequency would be high, and there would be high consumption of the power. It would affect the usage days of the batteries.
- On the opposite, if the shot lag is long, it would be a lower consumption of power to guarantee a long-time usage.

PIR Sensitivity.

High / Medium / Low

- Select the sensitivity according to the applied conditions.
- Select "High" For interior areas and environments with little interference
- Select "Medium" for exterior areas and environment with a normal amount of interference,
- Select "Low" for an environment with a high level of interference.

IR LED

Auto / Super Fine / Economy

Adjust the IR LED brightness. At Super Fine, the IR LED will consume more power.

Time Lapse

Press "ON" to set the time interval, and set the values of Hr, Min and Sec.

For example, if the

process of flowers blooming has to be recorded, time lapse can be used.

The camera automatically takes pictures in every set time intervals.

Time Lapse

Press "ON" to set the time interval, and set the values of Hr, Min and Sec.

For example, if the

process of flowers blooming has to be recorded, time lapse can be used.

The camera automatically takes pictures in every set time intervals.

Monitoring Period

Timer 1 Start / Timer 1 Stop

Timer 2 Start / Timer 2 Stop

Select "ON" to turn on this function, and set the Timer 1 and Timer 2 to set the starting working and ending working time.

After finishing setting, the camera only works during the set time every day. Beyond the period, the camera is in standby. If the start time is, for instance set to 18:35 and the end time to 8:25, the camera will be operational from 6:35 pm of the current day until 8:25 am of the following day. The camera will not be triggered and will not take any photos or videos outside of this period.

Record Audio

Turn on/off audio recording

Date/Time

Select Date/Time and press OK to change the Date/Time setting.

Use the UP and Down button to adjust values, Press OK to confirm change and switch to next digit.

After setting the time and date, press MODE button to exit Date/Time setting.

Time Format

12H / 24H

Choose 12 hours system or 24 hours system.

Date Stamp

ON / OFF

Turn on/off display of date watermark on photo

Camera Name

Setup the camera name and it will be displayed in the photo watermark.

Beep Sound

ON / OFF

Turn on/off button operation beep sound.

Language

Select the menu language.

English / French / Spanish / Portuguese / German / Italian / Chinese available.

Password Setting

Setup a startup password to protect the camera.

Auto WiFi Off

Setup the time so the camera will automatically turn off WiFi when it is not connected to a smart phone within the preset time.

Format

Format the memory card.

Default Setting

Cancel /OK Press"OK" to reset the camera settings to the default values.

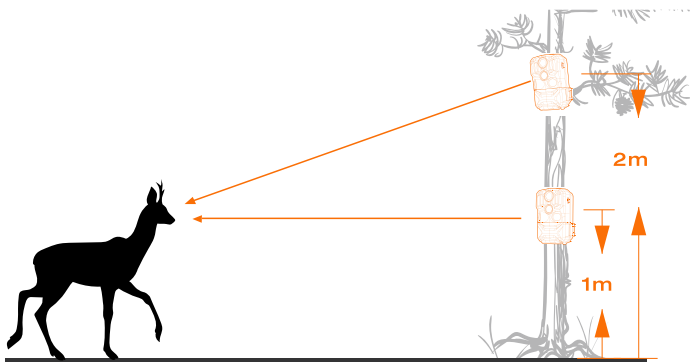
Version

Check firmware version.

MCU FW Update

Firmware Update.

6. Install the Camera in the field



The SETUP mode is advantageous for determining the best possible detection angle and range of the movement sensor.

For this purpose, attach the camera at approx. 1m -2m height to a tree and align the camera to the desired direction.

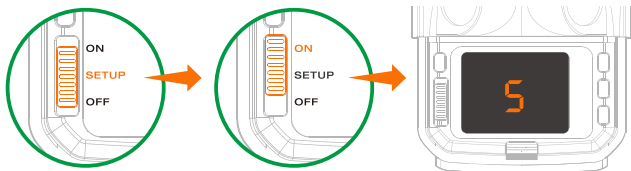
At 1 meter height above the ground, place the camera parallel to the ground. At 2 meters height above the ground, Tilt the camera down five degrees to the ground.

7. Enter ON / Live Mode

The standard application of the H80 Camera is the ON / Live mode. In this mode , photos are either triggered by movement sensors or at intervals according to the respective setting.

To set up the ON / Live mode , switch power switch to ON position. The red LED will flash and the screen will count down 5 seconds when you just switch to Live mode (ON), then the camera work automatically and enters the ON / Live mode.

As soon as wild animals or other objects directly enter the detection area of the sensor zone, the camera starts to record photos and videos.



- In the daytime. IR LEDs will not light up. The photos and videos are in color.
- At night. IR LEDs will light up, and the photos and videos are in black and white.
- The Shot lag is 1 minute defaulted. The optional is 5s-60 min.
- Please set up recording mode and related parameters before entering Live mode.
- When Flash Light is set to "Auto", the camera will adjust the brightness of IR LEDs automatically in low power.
- When shooting at night, the brightness will decrease automatically. Under ultra low power, the power is not enough to light up the IR LEDs, shooting will stop at night.

8. TECHNICAL SPECIFICATION

Model	H80
Image Sensor	20 MP CMOS sensor
Photo Resolution	20MP / 16MP / 12MP / 10MP / 8MP / 5MP / 3MP / 2MP
Screen	2 Inch LCD Screen
Storage	SD Card up to 32GB (NOT included)
Video Resolution	1728*1296P / 1920x1080P / 1280x720P / 720x480P / 640x480P
Night Vision Range	20 Meters (66 ft)
Detection Range	20 Meters (66 ft)
Trigger Time	Up to 0.3 second
Shot Interval	1 seconds ~ 59 minutes 59 seconds
IR LEDs	38 * 850nm IR LEDs
Detection Angle	120°
Media Format	MP4 / JPG
Interface	Mini USB
Standby Time	Approx 6 Months (With 8 new battery)
Power Supply	8 x LR6 1.5V Alkaline battery External DC 6V / 1.5A

9. SIMPLE TROUBLE SHOOTING

EN

The camera will not turn on	<ol style="list-style-type: none">1. Please check whether the batteries are installed in proper way.2. Check if the battery capacity is low or exhausted. If so, please replace by new batteries.
The camera turns off automatically	<ol style="list-style-type: none">1. Please check whether the battery capacity is low or exhausted. If so, try to change new batteries for outdoor using or connect AC adapter for indoor using.2. Please check if SD card is full. If so, transfer images and videos to your computer or delete some files in the Replay Mode.
It shows 'SD card Error'	<ol style="list-style-type: none">1. Please ensure that SD card is with class 10 standard or higher level.2. Please use the camera to format SD card at the first time.
Videos are choppy or jumpy when played on a computer	<ol style="list-style-type: none">1. Try to use different media players such as VLC player.2. Ensure AVI format Video clip can be played on your computer.
The image is not clear	<ol style="list-style-type: none">1. Please ensure that you have removed the protective films on IR LEDs and lens before using.
The camera does not take images or record videos	<ol style="list-style-type: none">1. Check If the memory of SD card is full, transfer images or videos to your computer or delete some files in the Replay Mode.

9.1 Care

Do not use any corrosive cleaners, such as methylated spirits, thinners, etc. to clean the camera housing and supplied accessory. When required, the clean system components with a soft dry cloth.

9.2 Storage

Always remove the battery from the housing if the camera is not being used for some time and store the battery separately. On a day to day basis and over longer periods the batteries can be kept at a dry location out of the reach of children.

IF YOU HAVE ANY QUESTIONS OR PROBLEMS.

Please contact us by

USA&Canada support@toguard.cc

Europe eu.support@toguard.cc

UK uk.support@toguard.cc

We will offer prompt and authoritative reply within 24 hours, and try our best to resolve your problem ASAP. More Safe Guarantee with toguard!
If you are not satisfied with our product. Please tell us about your thought.
That will be much appreciated.

