



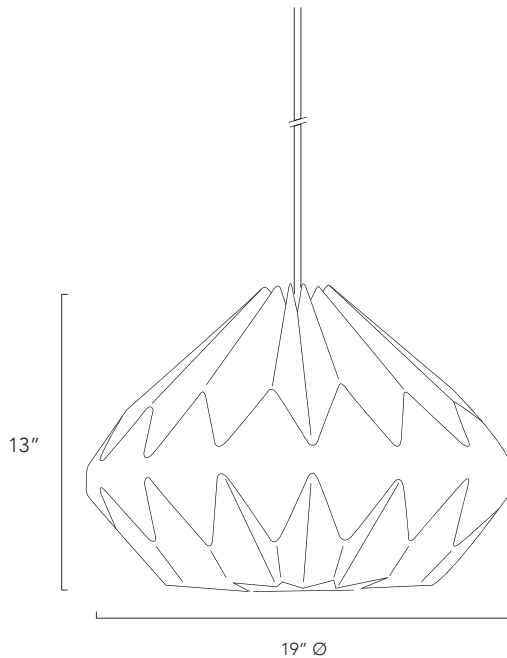
LA LOUPE



KINOKO PENDANT LAMP

ORI Collection

KINOKO PENDANT LAMP - Large



PRODUCT DETAILS:

- Shade Dimensions: 19in Ø x 13in H
- Shade Material : Off White Laminated Linen Fabric
- Fixture: Ceiling Canopy / Plug-in cord available upon request
- A19 LED lightbulb included: 14.5W - 1450 Lumens(100W Equiv.) - 2700K / Soft White (*)
- Max Cord Wattage: Rated 60W Max
- Socket: E26 medium base
- Electrical components UL listed.
- Operate ONLY with LED Lightbulb
- Indoor use only / Dry location

(*) A non-dimmable LED lightbulb is included with the lamp for your convenience, so that you can use it as soon as you receive or install it. However, please note that our hardwired fixtures can be used and installed with dimmers. Moreover, you can use any other E26-type LED lightbulb if required.

CEILING CANOPY (For Hardwiring)

INCLUDES:

- 5" Ø x 1"H metal ceiling canopy
- 4ft cloth-covered cord
- Top cord grip & 6" metal stem bottom cord grip
- E26 socket with metal cover
- Crossbar kit.



CANOPY FINISH OPTIONS:



White



Raw Brass



Black



Brushed Nickel

CORD COLOR OPTIONS:



Off-White



Ivory



Black



Light Grey

NOTE: Actual colors may vary. Due to the many variations in monitors and browsers, colors may differ from the ones you see in the picture.

PLUG-IN CORD (Upon request)

15ft cloth-covered plug-in cord available with an on/off thumb switch placed 3ft from the plug end and E26 socket with metal cover. Available in White, Beige, or Grey.



CUSTOMIZABLE REQUEST

We understand that every home and project is distinct, and we believe in providing tailored customer service. While we work exclusively with our collections we also can work with various linen colors and sizes for our pendant lampshades. Additionally, we offer customization options such as cord color and length, canopy style and size, and plug-in cord (lead time and price may vary). Please note that customized requests will be available upon the availability of our suppliers.

If you have any questions or special requests, please feel free to contact us at info@laloupedesign.com.