



□ **G1629** Emergency Shower, Recess Mounted, Stainless Steel Shower Head



Application: Emergency shower for recess mounting in a finished ceiling or soffit. Shower is activated by rigid pull rod.

Shower Head: 10" diameter with 20 GPM flow control and flange for flush mounting in ceiling. Shower head is stainless steel with stainless steel face plate.

Valve: 1" IPS brass stay-open ball valve. Valve is US-made with chrome plated brass ball and PTFE seals. Furnished with stainless steel actuating arm, 47-1/2" stainless steel pull rod and stainless steel ceiling guide plate.

Pipe and Fittings: 1" IPS galvanized steel.

Supply: 1" NPT female inlet.

Sign: ANSI-compliant identification sign.

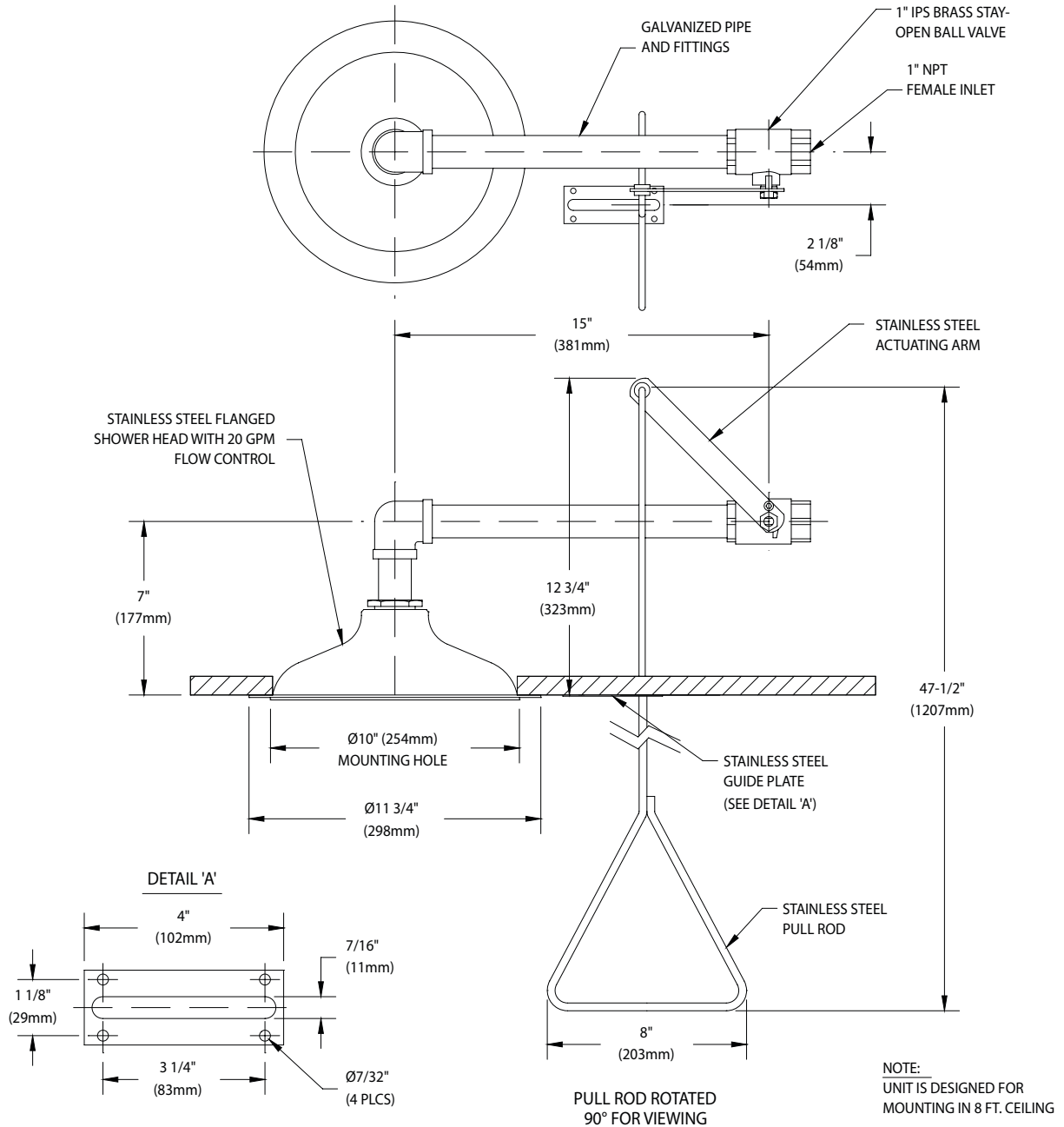
Note: *ANSI Z358.1-2014 provides that shower heads be installed no more than 96" above the finished floor. This unit should therefore not be installed in ceilings over 8 feet. For higher ceiling heights, we recommend the G1658 shower.*

Available Options

- **AP280-230** Electric strobe light and alarm horn unit for recess mounting in finished wall. Light illuminates and horn sounds when shower is activated. Furnished complete with flow switch and mounting hardware.
- **G3800LF** Thermostatic mixing valve precisely blends hot and cold water to deliver warm (tepid) water as required by ANSI Z358.1-2014. Refer to "Tempering Valves" section for complete technical and product selection information.



G1629 Emergency Shower, Recess Mounted, Stainless Steel Shower Head



THIS SPACE FOR ARCHITECT/ENGINEER APPROVAL

Due to continuing product improvement, the information contained in this document is subject to change without notice. All dimensions are ± 1/4" (6mm). rev. 1117

Sign Included

