

Poseion

BT100

BT100 Guide Book



Poseion

BT100

- 01** Precautions for safety of POSEION BT100
 - 02** Use and Care Guide of POSEION BT100
 - 03** How to manage POSEION BT100
 - 04** Exploded View of BT100
 - 05** How to install BT100
-



Safety Precautions

SAFETY NOTES

These precautions contain important information about safety, so please check the contents before using the shower head.

Glossary of Terms and Symbols

Warning Improper handling can result in risk of death or serious injury.

Caution Improper handling can result in risk of minor user injury or property damage.



Please be careful! This symbol requires attention in combination with the above Warning and Caution notices. Be sure to read it and observe the instructions.



General prohibition sign, Please keep the details.



Do not disassemble!



General prohibition sign, Be sure to follow the instructions.

For the Head FAQ QR code, it is recommended to use the QR code app. Focus well and it may take 5 to 10 seconds to get recognized.



If water flows down from a fixed or mounted shower head after use, it is a natural phenomenon where water remaining inside the head is discharged.



You may hear a sound when you shake the shower head up, down, left, or right.

This is due to the structure of the product body and the filter, and is not a malfunction or failure.



Check the proper temperature with your hand or foot before using the shower. If the pressure is high, hold the shower in your hand or hold it in place to use.

If the shower head falls from the fixing device, it may cause product damage or personal injury.



If freezing is expected in winter, shake the shower head after use up, down, left, or right to remove any remaining water inside.

If water remains inside the shower head, there is a risk of deformation or breakage due to freezing. In case of a freeze breakage, it is classified as a "paid repair".



When installing the shower head, make sure that the shower hose is correctly mounted onto the connecting screw of the product.

If the screw and shower hose of the product are installed at an angle or are not fitted correctly, water may leak or the thread may become worn out, resulting in a water leakage.



Please avoid use by children alone. Children should use it only with a guardian.

There is a risk of burns and injuries.

Do not spray directly onto the eyes or ears when using the shower.

There is a risk of injury.



The hot water temperature in the shower should not exceed 60 degrees Celsius.

There is a risk of burns when using hot water.

(Adjust slowly from low temperature and use at proper temperatures.)



Do not drop or impact the shower head on purpose.

It may cause damage or failure to the shower head due to impact.

Please note that the shower head deco is made of metal and may cause scratches.



Do not put hair-related dyes, hairdressing pigments, or organic solvents such as thinners or benzene on the shower head.

It may cause discoloration and damage.

If on the product, immediately wash with water or detergent.



Do not apply a strong force or shock to the product.

Since various filters and parts are installed inside the shower head, it may be damaged due to falling, etc., and normal operation may not be possible.



Do not use anything other than mild detergents. Use of products other than neutral detergents may damage, crack, or discolor the shower head surface. Do not use the following solvents:

When using an acidic detergent or abrasive device such as a nylon scrubber, brush, alkaline detergent, chlorine bleach cleanser, a solvent such as benzene, and detergents containing abrasive powder particles, adjust slowly from low temperature to the appropriate temperature.



Do not disassemble or repair anything except replace the Sediment Filter or cleaning the Microplate.

There may be a risk of breakdown and damage to the shower head or personal injury.

When cleaning the product, remove the water and disassemble it.



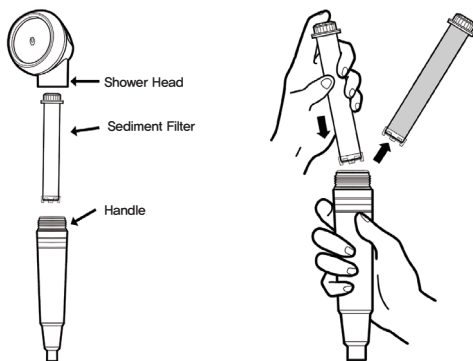
Use and **Care Guide**

MANAGEMENT GUIDE

This section contains important information about product management, so please check the contents before using the shower.

01 How to care for the Microplate

The discharge hole of the Microplate may be blocked by the scale formed by microorganisms in the water, which may cause the water to extend or be sprayed differently from its normal angle. In this case, use a brush (toothbrush or fine brush) to scrub the front and back of the Microplate. Be careful not to wipe or rub with excessive force, as this may damage or warp the plate and cause the water to spray out of its normal angle.



02 How to replace the Sediment Filter

- ① Check if the faucet is locked.
- ② Turn the head part to separate it from the handle part.
- ③ Remove the dirty Sediment Filter on the handle.
- ④ Install a new Sediment Filter.

※ It is recommended to use only genuine Sediment Filters and parts. Leakage or failure may occur when using filters or parts that do not meet the specifications.

03 How to clean the product

We recommend the regular cleaning of the POSEION BT100 every six months. To clean, mix citric acid or baking soda in a 7:3 ratio with warm water. Separate the parts except the Sediment Filter, put them in the prepared washing water, and after 15 minutes, rinse them with running water.



How to **manage the BT100**

MANAGEMENT BT100

When the water pressure suddenly drops

If the Sediment Filter is heavily contaminated with various foreign substances, the water pressure may be weakened.

First of all, we recommend you to separate the filter to remove the foreign substances or replace the filter before use. After removing the Sediment Filter, we recommend replacing it with a new Sediment Filter.

Some of the streams from the showerhead stretch to the side.

Since the BT100 uses Microplate with ultra-fine discharge holes, dust or foreign substances can cause the water spray angle to change or stretch to the side. In this case, remove the plate and rub the front and back of the plate with a brush (toothbrush or other brush).

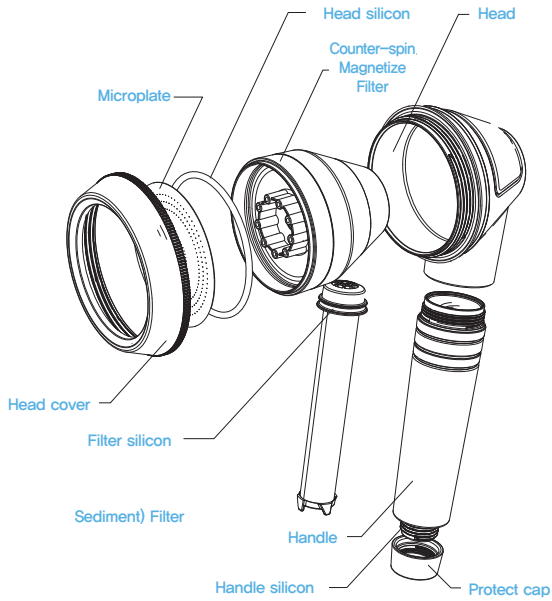
Water drops continue to leak from one side.

A drop of water drips if the head cover is not locked properly or is too tight and the silicone inside the head is distorted. Also, when water drips one-by-one in the part using silicone packing, it is because the head cover or handle is not locked properly or is too tight and the silicone packing is distorted. Open the head cover or handle, place the silicone in the correct position, and then tighten it properly.



Exploded **View of BT100**

BT100 PLANAR FIGURE





How to **install the BT100**

INSTALLATION BT100



1

Remove your existing shower head

Grab the hose and the existing shower head connection and separate the shower head by turning it to the left. If the shower head cannot be removed, it can be easily removed using "rubber gloves" or "tools".



2

Remove the protect cap

Remove the protect cap on the bottom of the BT100 handle by turning it to the left. (Do not discard the remove this cap. It is necessary for moving and installing the shower for future travel or moving).



3

Assembling the shower head

Hold the hose and the joint tightly and turn the BT100 main unit to the right to connect the product.

How to Disassemble and Assemble BT100

Disassembling BT100



1 Open the headcover by turning it counter-clockwise.



2 Hold the Microplate and remove it. (Be careful while removing it, because the edges are sharp.)



3 Remove the head silicone ring.



4 Pull out the Counter-spin Magnetize Filter.



5 Hold the handle and turn it to the left to remove it.



6 Hold the Sediment Filter and remove it.

Assembling BT100



1 Insert the Counter-spin Magnetize Filter cartridge while align the arrow on the inner side of the head part and the arrow on the top of the Counter-spin Magnetize Filter cartridge.

Correct Assembly (O)



Incorrect Assembly (X)



2 Install the silicone ring in a right position. (If you do not mount it appropriately, it may cause leakage.)



3 Mount the Microplate in a manner wherein it shows the POSEION logo.



4 Mount the headcover by turning it clockwise.



5 Mount the Sediment filter.

Precautions in Using BT100

Precautions in Assembling the Counter-spin Magnetize Filter



Correct Assembly (O)



Incorrect Assembly (X)

When you assemble the Counter-spin Magnetize Filter, make sure the direction of the arrow on the inner side of the head part aligns with that of the arrow on the top of the Counter-spin Magnetize Filter cartridge. Mount the silicone ring on top of it as described above [Correct Assembly]. If you do not mount it appropriately, it may cause leakage.

Precautions in Assembling the Handle and Head Parts



When coupling the head and the handle, tighten only to the point where it stops. If you tighten it excessively, it may cause damage to the product.

Washing Microplate When Water is Pressed Out



If the water is pressed out from the showerhead as shown in the picture on the left, remove the headcover and wash the front and rear sides of the Microplate with running water.



Front



Rear



POSEION BT100 is shower head, We do not recommend to drink water directly from our product. We recommend using the product after draining residual water from the head for 2-3 seconds!

Recommended Use

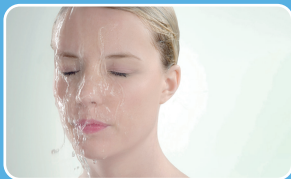
How to enjoy the **POSEION BT100 100%**



1 If you have athlete's foot or eczema take a foot bath in warm water for 10–20 minutes every day.



2 If you have skin problems, spray water over the troubled area like giving yourself a massage for 30 seconds after a shower. Make sure to cool down the concerned area with cold water.



3 After a shower, spray water every day on your face for 10–30 seconds using a water pressure that suits you. Notice the changes in the skin.



4 For companion animals, check for the tangling of hair and changes in hair quality when combing after a bath.



5 Massage the scalp and compare it with how it was when you used a conventional shower head.

The logo for Poseion, featuring a stylized white water droplet icon to the left of the word "poseion" in a lowercase, sans-serif font.

poseion