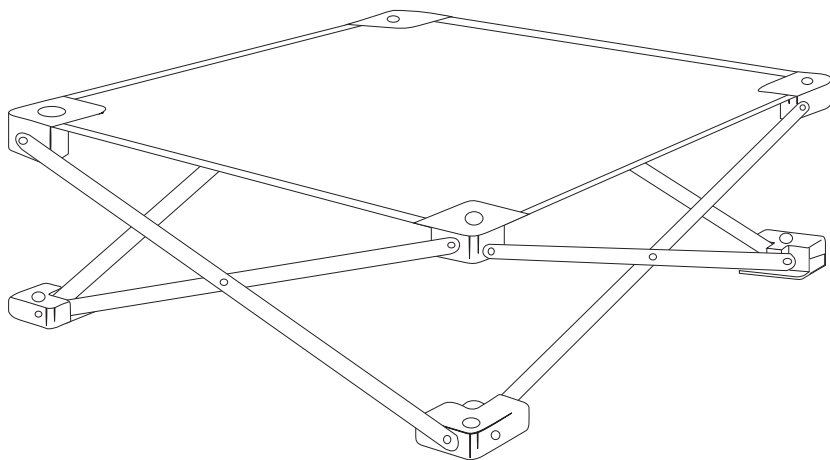


PORTABLE PUP PET BED



- READ ALL INSTRUCTIONS BEFORE ASSEMBLY AND USE OF PET BED.
- KEEP INSTRUCTIONS FOR FUTURE USE.

 www.carlsonpetproducts.com

 Carlson Pet Products, Inc.
3200 Corporate Center Drive, Suite 105 | Burnsville, MN 55306, USA

 952.435.1084

Made in China

Before Using Product

Read and follow all instructions carefully to ensure that your pet bed is properly assembled. Improper assembly could result in the bed becoming unstable. Please keep these instructions for your reference.

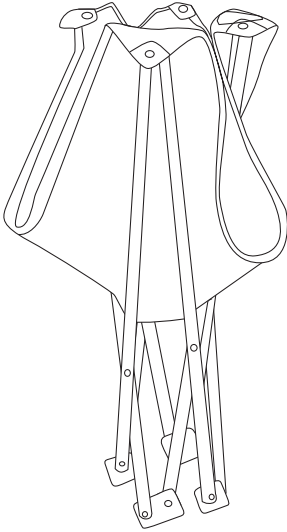


WARNING

- For use with pets up to 45 lbs.
- Prevent crushed or amputated fingers. Keep fingers away from hinges.
- Unfold bed completely before use.
- Keep small parts away from pets and children.
- This pet bed is NOT to be used for children.
- This pet bed is to be used ONLY for pets.
- Never leave pet unattended.
- Do not use if any components are damaged or missing.
- Check daily to ensure the pet bed is securely assembled.
- Proper supervision is required at all times.
- To prevent falls, NEVER use at the top of stairs.
- To prevent serious injury or death, securely install the pet bed and use according to manufacturer's instructions.

Before Assembly

A



B



PLEASE CHECK TO MAKE SURE YOU HAVE THE FOLLOWING PARTS:

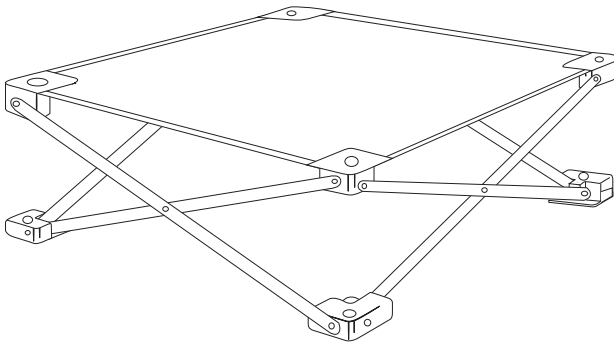
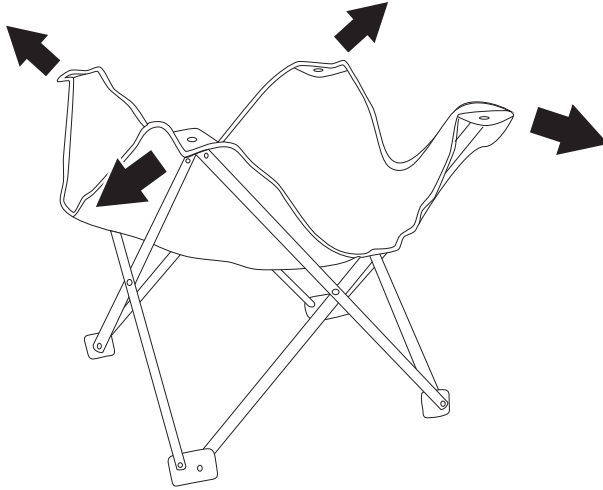
A *Pet Bed*

B *Carry Case*

Assembling Your Pet Bed

TO OPEN

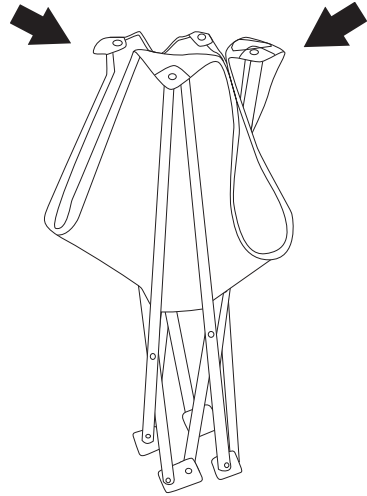
Pull the four corners away from each other. The frame and bed surface will automatically unfold.



NOTE: Check that the bed is opened as far as possible and that there are no loose parts before use. The bed will not fully lock into place until use, when there is weight on the surface.

TO CLOSE

Push two opposite corners of the *pet bed* towards each other and it will automatically fold up.



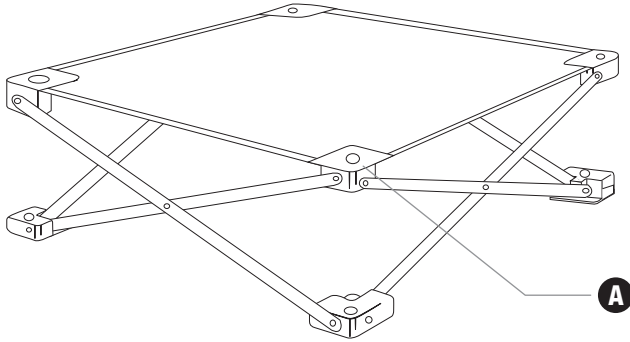
CARE AND MAINTENANCE

Periodically check the *pet bed* for signs of damage, wear, or missing components. Do not use if any part is missing, worn or damaged. Do not use abrasive cleaners or bleach to clean your *pet bed*. Clean by sponging with warm water and a mild detergent. Wipe it dry immediately after cleaning to avoid formation of rust.

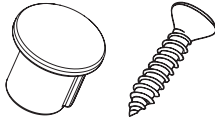
90 DAYS LIMITED WARRANTY

If, during the first 90 days after consumer purchase of the item, under reasonable and non-commercial use and conditions of maintenance, it fails while owned by the original purchaser because of the quality of materials or workmanship of finish and assembly, Carlson Pet Products, Inc. will replace or repair it at Carlson's option. PROOF OF PURCHASE REQUIRED.

Replacement Parts



A **Fabric Pin and Screw**
Black = #31115





www.carlsonpetproducts.com



Carlson Pet Products, Inc.
3200 Corporate Center Drive, Suite 105
Burnsville, MN 55306, USA



952.435.1084

20160624EF