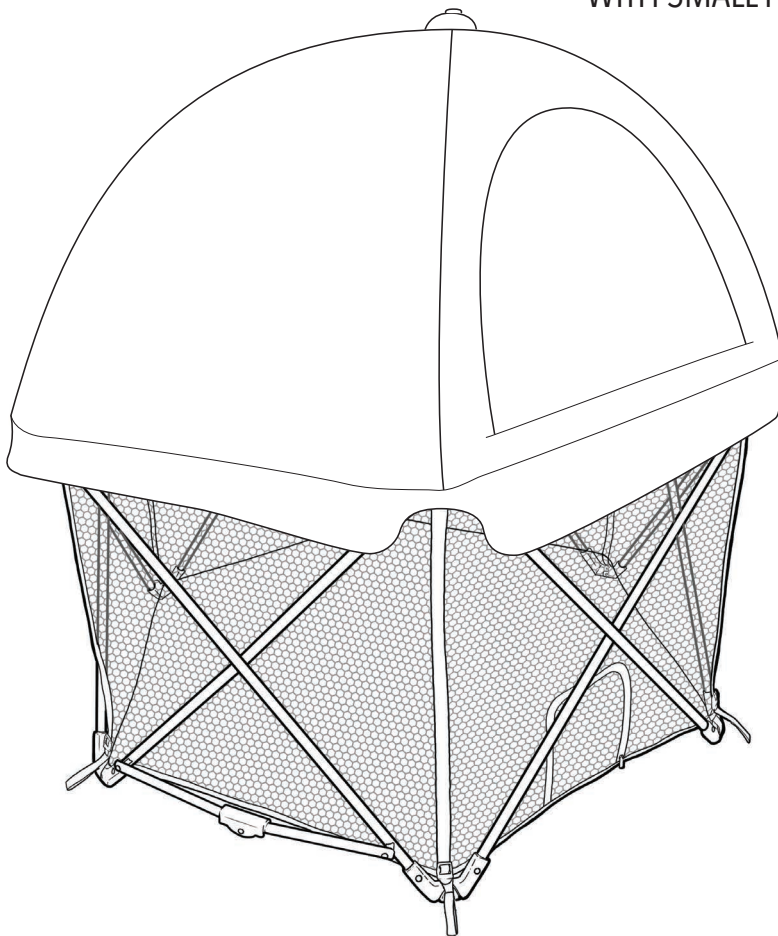


# PORTABLE PET PEN & CANOPY

WITH SMALL PET DOOR



- READ ALL INSTRUCTIONS BEFORE ASSEMBLY AND USE OF PRODUCT.
- KEEP INSTRUCTIONS FOR FUTURE USE.

 [www.carlsonpetproducts.com](http://www.carlsonpetproducts.com)

 Carlson Pet Products, Inc.  
3200 Corporate Center Drive, Suite 105 | Burnsville, MN 55306, USA

 952.435.1084

Made in China



# Before Using Product

---

Read and follow all instructions carefully to ensure that your pet pen and canopy are properly assembled. The safety of your pet is your responsibility. Please keep these instructions for your reference.

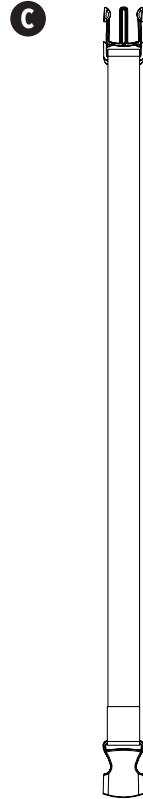
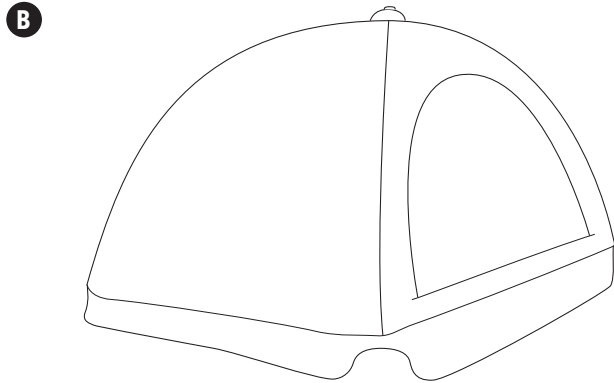
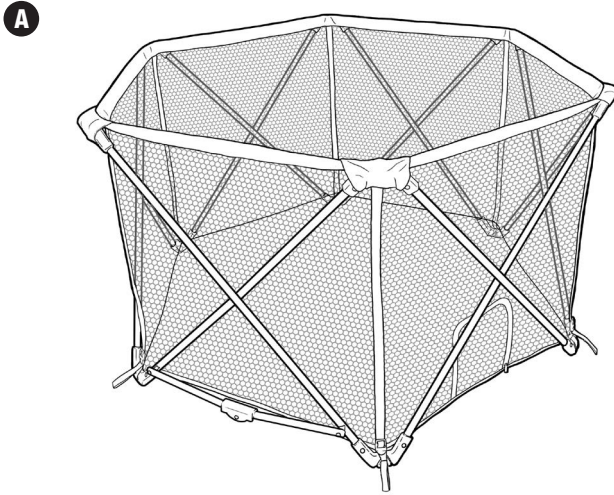


## WARNING

- **KEEP INSTRUCTIONS FOR FUTURE USE.**
- Failure to follow these warnings and the instructions could result in serious injury or death.
- The pet pen, including all rails, must be fully erected and locked prior to use.
- The canopy must be fully opened and locked prior to use.
- Make sure all straps are secure.
- Make sure all latches are secure.
- Pet can become entrapped and die when improvised netting or covers are placed on top of product. Never add such items to confine pet in product.
- Canopy is only to be used with Carlson Portable Pet Pen when it has been properly assembled.
- To prevent falls, NEVER use at the top of stairs.
- Never leave pet unattended in this product.
- Never use with pet able to climb over or dislodge the enclosure.
- Never use this product if there are any loose or missing fasteners, loose joints, broken parts, or torn mesh/fabric. Check before assembly and periodically during use. Contact Carlson for replacement parts. Never substitute parts.
- This is a pet pen, but when used around children the small pet door must remain closed.
- Keep fingers clear of folding mechanism during folding and unfolding.
- Keep all children away from the pet pen and canopy during assembly and take down.
- ALWAYS set up pet pen on a flat, level surface. Check floor/ground surface underneath pet pen floor to assure that it is clear of any objects that may injure your pet and/or child.
- Do not use this product in temperatures less than 40°F or damage may be caused.
- This product will not prevent all accidents.

# Before Assembly

---



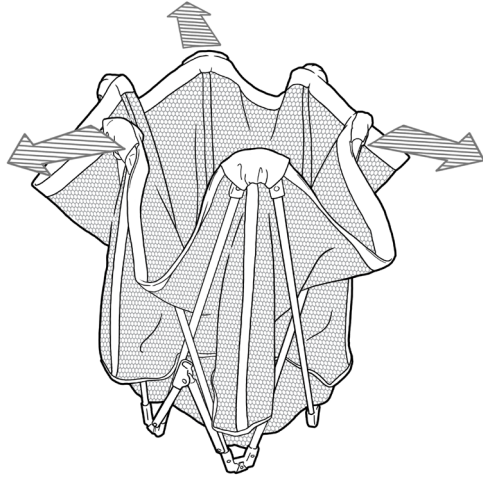
**PLEASE CHECK TO MAKE SURE YOU HAVE THE FOLLOWING PARTS:**

- A** Pet Pen
- B** Canopy
- C** Buckle Strap

# Setting Up Your Pet Pen

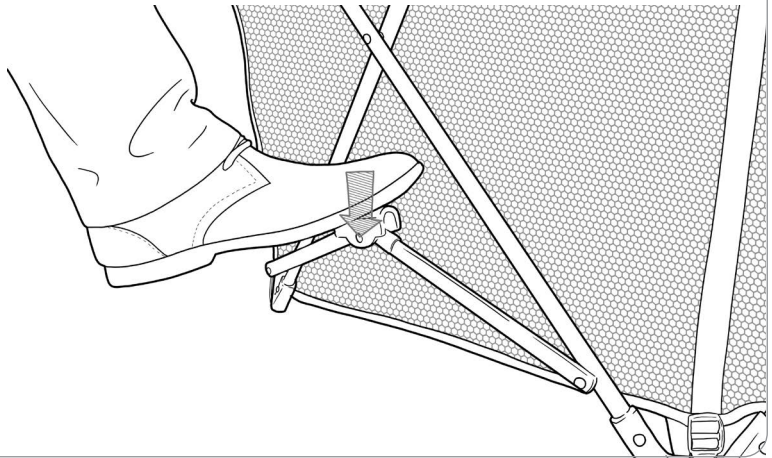
## STEP 1

Expand pet pen.



## STEP 2

Step down on the *locking bar* to complete set up.

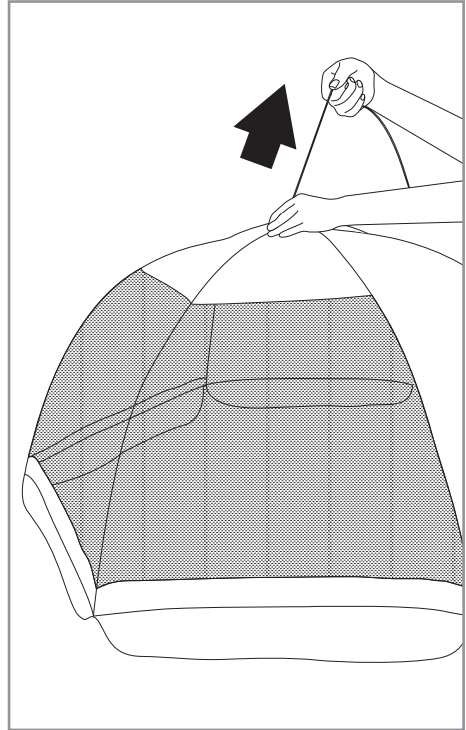


**NOTE:** First time assembly you may need to adjust strap tension by tightening or loosening buckles on the bottom hinges.

# Setting Up Your Canopy

## STEP 1

Pull the cord at the top straight up and away from the *canopy* until you hear a click. This action will engage the top button to lock the *canopy* in place.

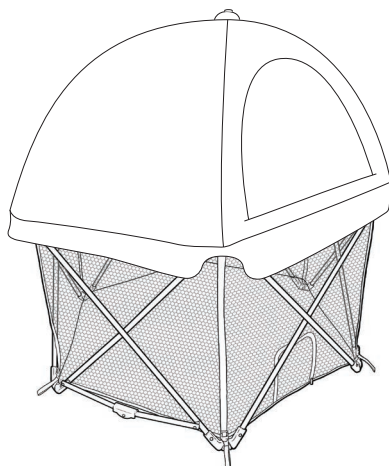


**NOTE:** Ensure your *canopy* is secure and the button at the top of the *canopy* has engaged, before attaching the *canopy* to your *pet pen*.

# Attaching Your Canopy To Your Pet Pen

## STEP 1

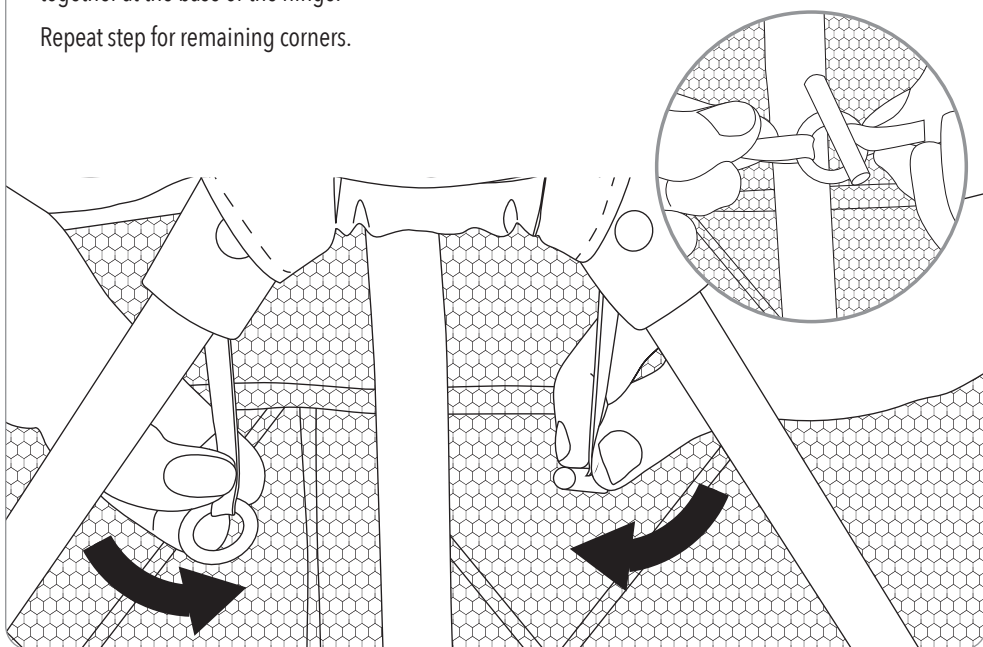
Line up the corners of the assembled *canopy* with the corners of the assembled *pet pen* and place the *canopy* on top of the *pet pen*.



## STEP 2

At one corner of the canopy, pull the *elastic cords* behind the hinge of the *pet pen*. Fasten the *elastic cords* together at the base of the hinge.

Repeat step for remaining corners.

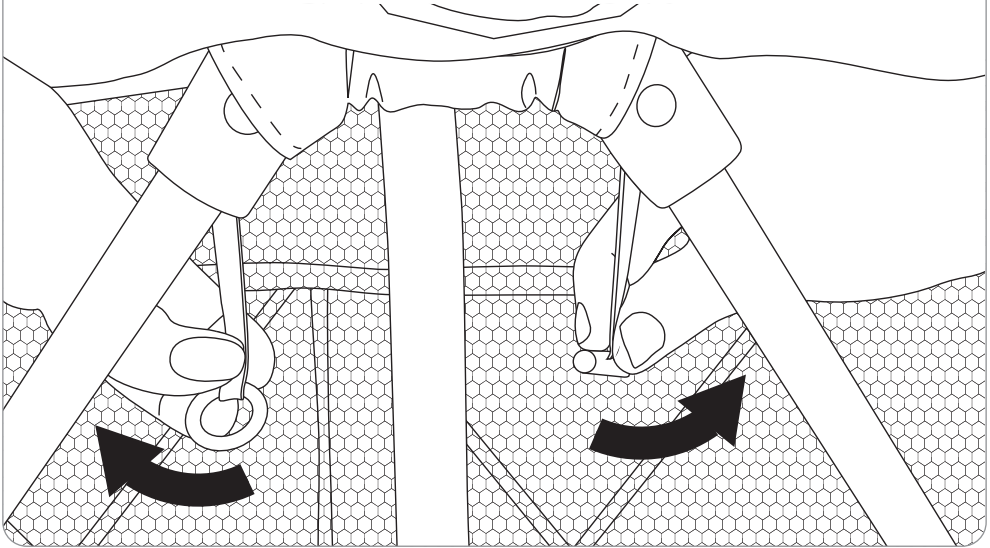


# Detaching Your Canopy From Your Pet Pen

## STEP 1

At one corner of the *canopy*, unfasten the *elastic cords*.

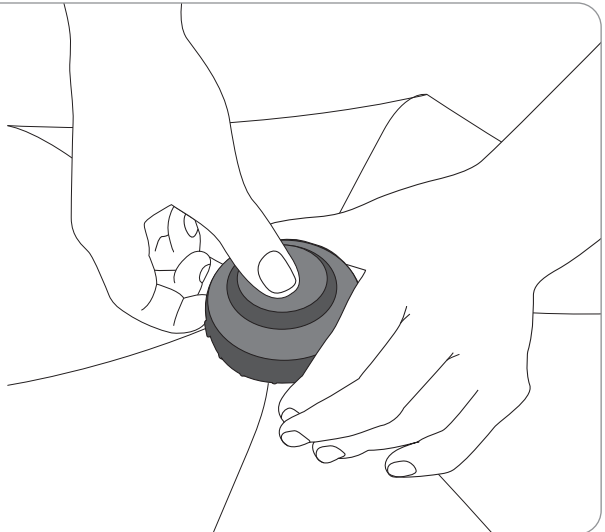
Repeat step for remaining five corners.



## STEP 2

Push the button at the top to collapse your *canopy*.

Fold and put away.

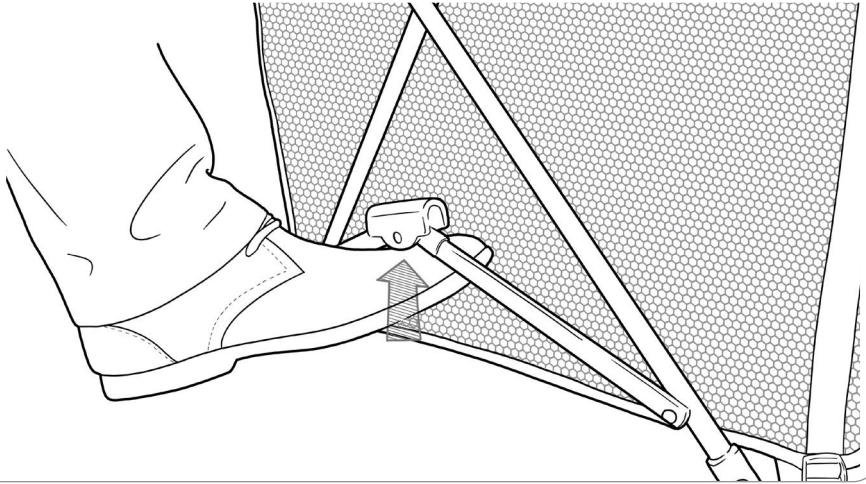




# Folding Your Pet Pen

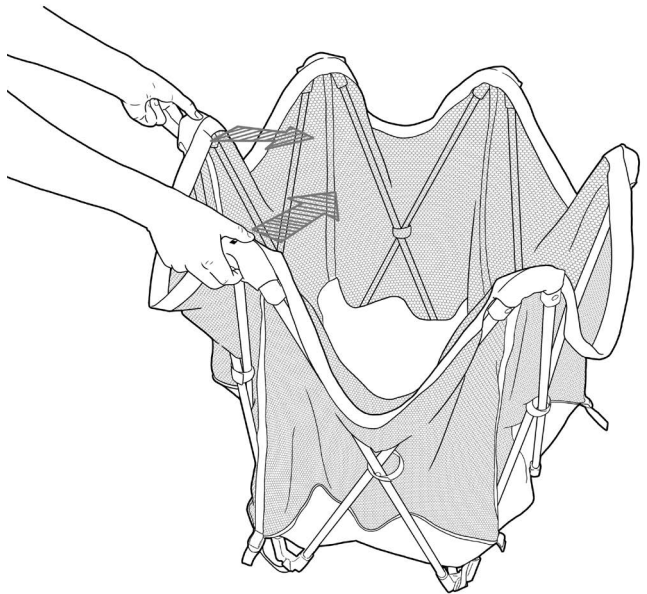
## STEP 1

Lift up on *locking bar* to release frame tension.



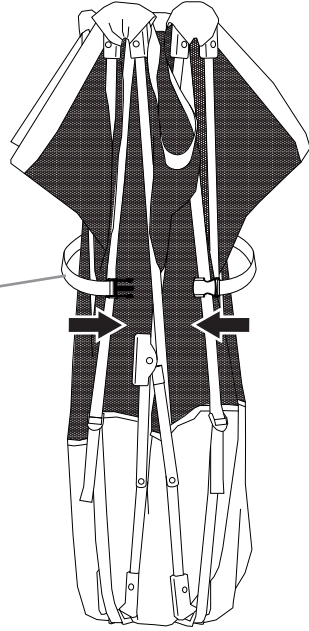
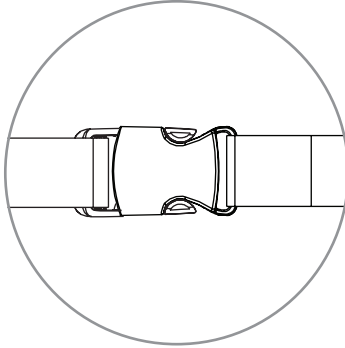
## STEP 2

Pull hinges towards center of *pet pen* to collapse the frame.



### STEP 3

Wrap buckle strap around center of play yard and tighten to secure.

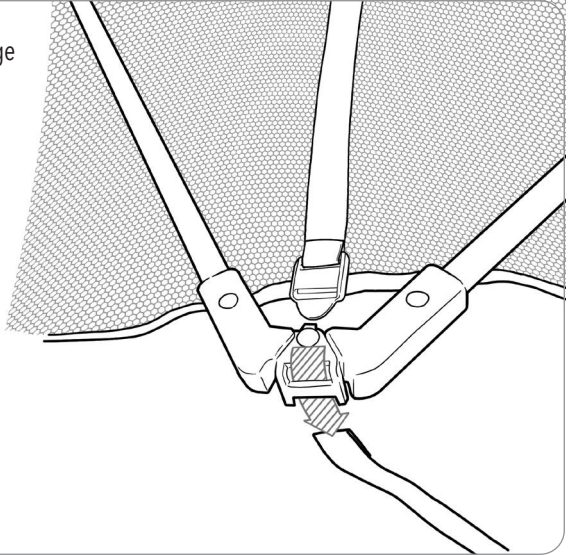


# Removing Mesh Insert

**NOTE:** It is easiest to remove the *mesh insert* when *pet pen* is not fully expanded.

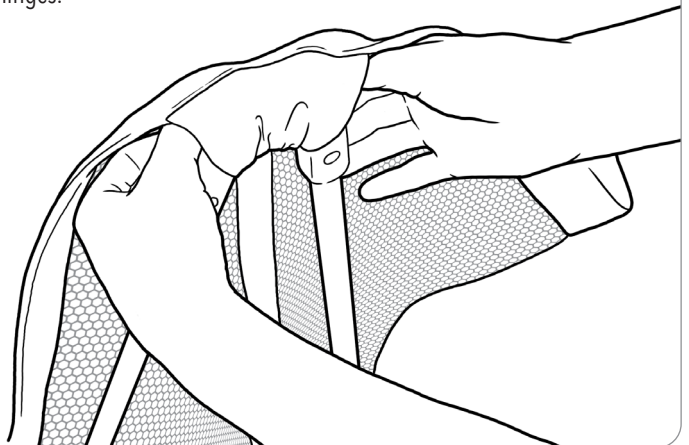
## STEP 1

De-thread strap from buckle and base hinge until strap is free. Repeat for remaining hinges.



## STEP 2

Reach under top hinge flap to disconnect snaps. Repeat for remaining hinges.



# Reattaching Mesh Insert

**NOTE:** It is easiest to reattach the *mesh insert* when *pet pen* is not fully expanded. Ensure the *pet door* is not aligned with the *locking bar* when reattaching.

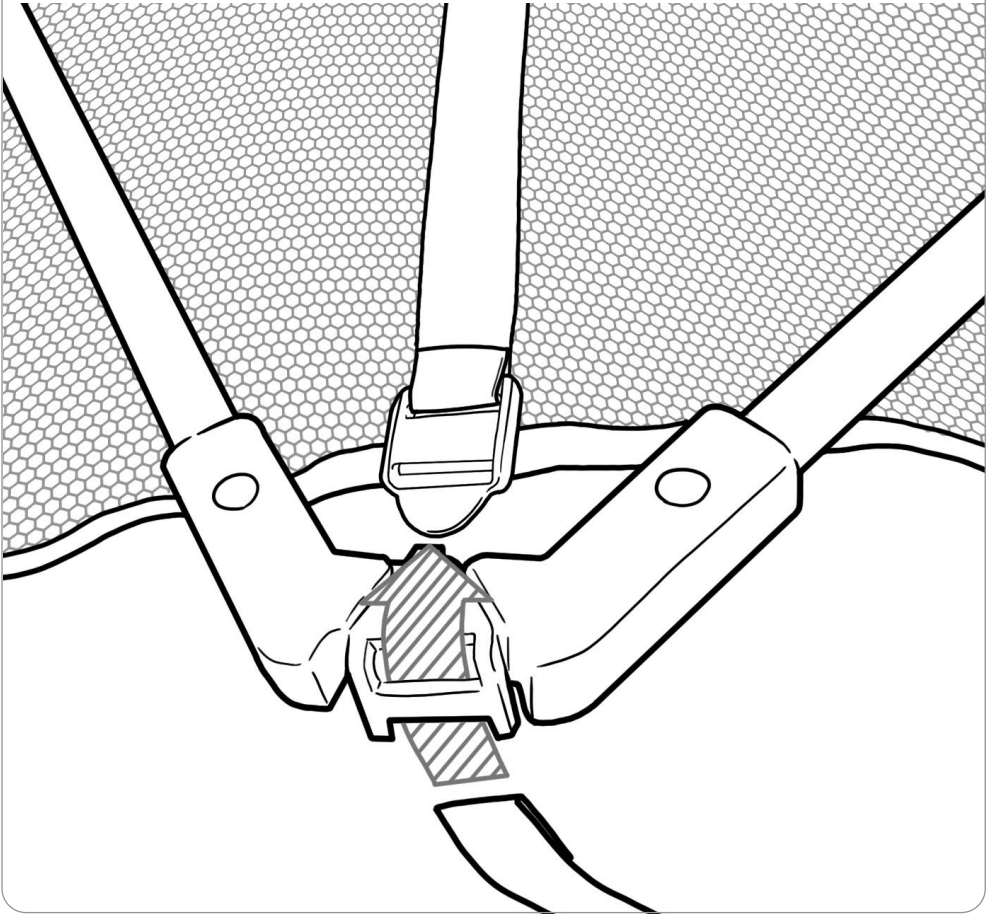
## STEP 1

Wrap hinge cover flap over then under the hinge and snap to inner side of the hinge. Repeat for remaining hinges.



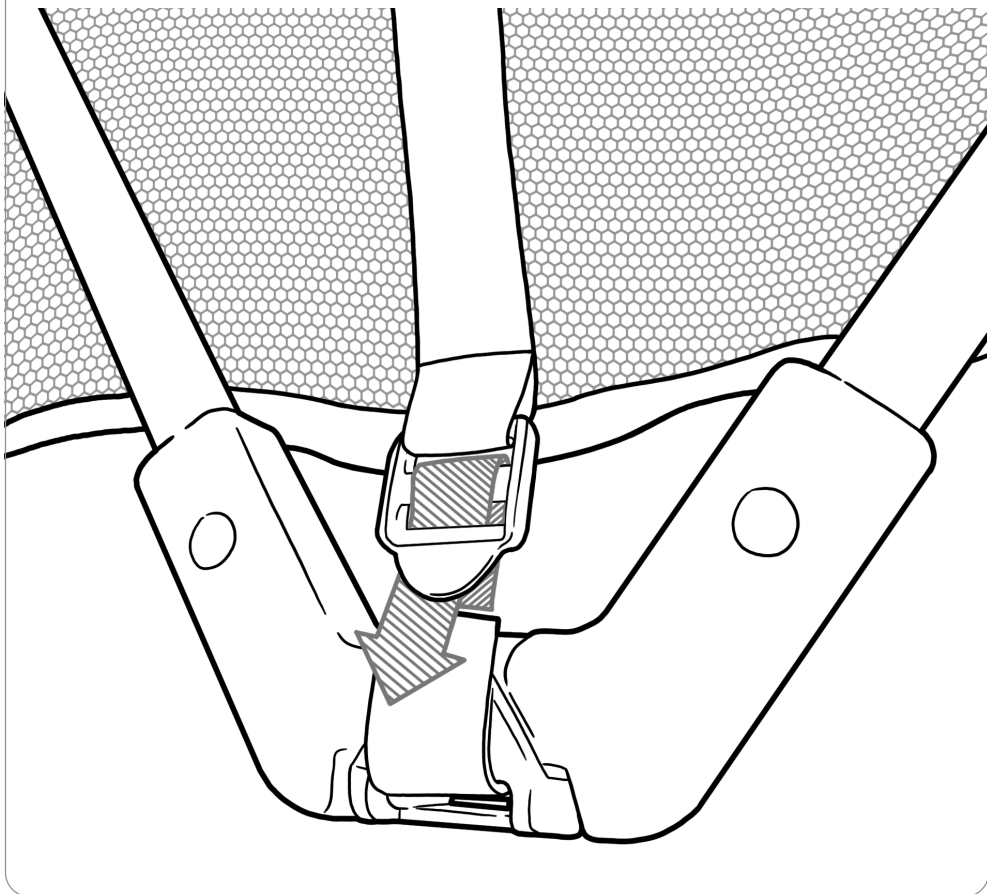
## STEP 2

Thread end of strap through the slot on the bottom of the hinge up towards the buckle. Make sure strap is not twisted.



### STEP 3

Attach strap to buckle as shown in image below. Repeat Steps 2-3 for remaining buckles until the *pet pen* is fully fastened.



**NOTE:** Do not tighten straps until all straps are attached to each corner and the *pet pen* is fully expanded.

## **CARE AND MAINTENANCE**

Periodically check the pen for signs of damage, wear, or missing components. Do not use if any part is missing, worn or damaged. Do not use abrasive cleaners or bleach. Clean with warm water and a mild detergent. Do not machine wash. Always dry metal parts to avoid the formation of rust.

## **90 DAYS LIMITED WARRANTY**

If, during the first 90 days after consumer purchase of the item, under reasonable and non-commercial use and conditions of maintenance, it fails while owned by the original purchaser because of the quality of materials or workmanship of finish and assembly, Carlson Pet Products Inc., will replace or repair it at Carlson's option. PROOF OF PURCHASE REQUIRED.



**[www.carlsonpetproducts.com](http://www.carlsonpetproducts.com)**



Carlson Pet Products Inc.  
3200 Corporate Center Drive, Suite 105  
Burnsville, MN 55306, USA



952.435.1084

20210624ET