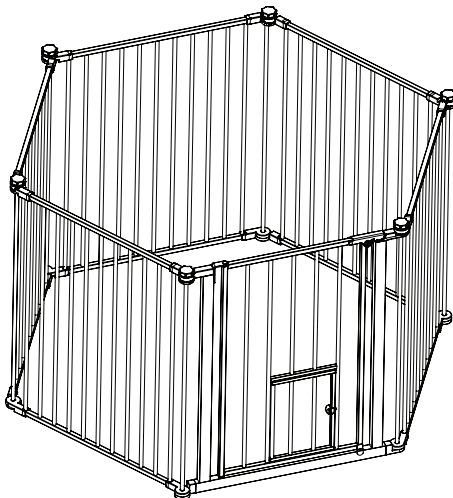


CarlsonTM

Pet Products

2 in 1 Super Wide™ Pet Pen & Gate with small pet door

MODEL NO: 2600, 2600 HW
Owner's Manual



**READ ALL INSTRUCTIONS BEFORE ASSEMBLY AND USE
OF GATE. KEEP INSTRUCTIONS FOR FUTURE USE.**

www.carlsonpetproducts.com

Carlson Pet Products, Inc.

3200 Corporate Center Drive, Suite 105

Burnsville, MN 55306-9804, USA

Phone: 952-435-1084

Made in China

Assembly and Installation Instructions

Read and follow all instructions carefully to ensure that your Pet Gate is properly installed. Improper installation could result in the gate becoming unstable or dislodged from the doorway. Please keep these instructions for your reference.

The maximum width opening for this gate is 50.5 to 144 inches.



WARNING:

- NOT recommended for use with children.
- Install according to manufacturer's instructions.
- To prevent serious injury or death, securely install gate or enclosure and use according to manufacturer's instructions.
- Children have died or been seriously injured when gates are not securely installed. ALWAYS install and use gate as directed using all required parts.
- Never stack gates on top of each other to form a taller barrier. This could result in serious injury or death.
- Intended for use with children between 6 and 24 months.
- STOP using when a child or pet can climb over or dislodge the gate.
- Use only with the locking/latching mechanism securely engaged.
- To prevent falls, NEVER use at top of stairs.
- NEVER use to keep child or pet away from pool.
- Always ensure the gate is resting against the floor before beginning installation.
- This is a Pet Gate, but when used with children, the small pet door must remain closed and securely latched.
- Strangulation hazard: pets can force themselves into very small openings; use this gate with pets whose heads will not fit into openings in the gate, between the gate and floor, or between the gate and wall.
- This product will not necessarily prevent all accidents. NEVER leave child or pet unattended.
- Check the gate regularly to see if all the hardware and mountings are tightened.
- Do not use if any components are missing or damaged.
- Adult assembly required.

The four Wall Mounting Brackets must be used in securing the gate to the wall. These brackets prevent the gate from dislodging from its opening and becoming unstable. If hardware mounting to a surface other than drywall or wood, please consult with a professional about installation.

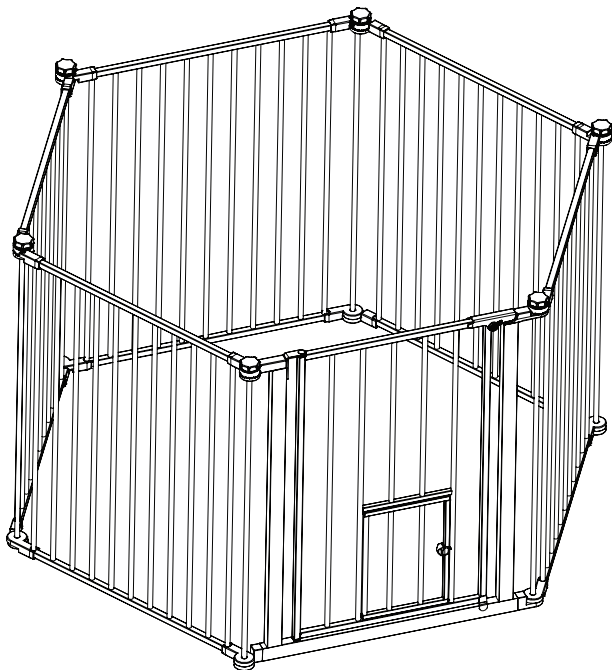
Contact Carlson for questions and replacement parts.

For questions about the use of your pet gate, call our customer care line 952-435-1084.

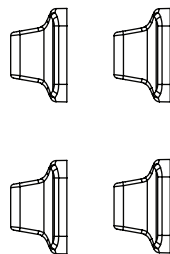
Carlson Pet Products, Inc.
3200 Corporate Center Drive, Suite 105,
Burnsville, MN 55306-9804, USA.

Made in China

Check to make sure you have all of the parts shown:



A.



B.



C.

- A. Pet Yard Frame Panels (6 panels)
- B. Wall Mounting Brackets (X4) Attached to frame end panels
- C. Wall Mounting Screws (X8)

ADDITIONAL PANELS SOLD SEPARATELY!

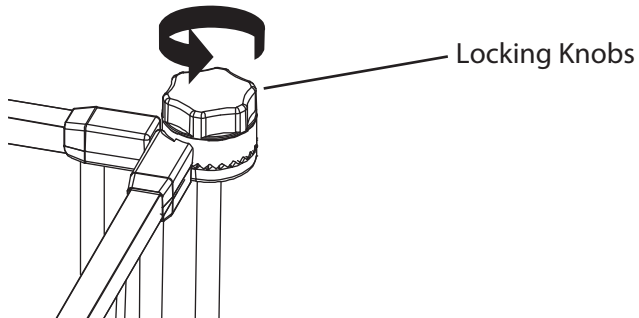
Installation Option A :

To install the Super Gate as a barrier between two walls.

Step 1.

Begin by unfolding the gate frame. To do this, simply loosen the Locking Knobs at each pivoting joint by turning the knob counter clockwise as shown in Diagram A. Loosen the knobs enough to allow the gate to swing open freely without fully removing the knobs.

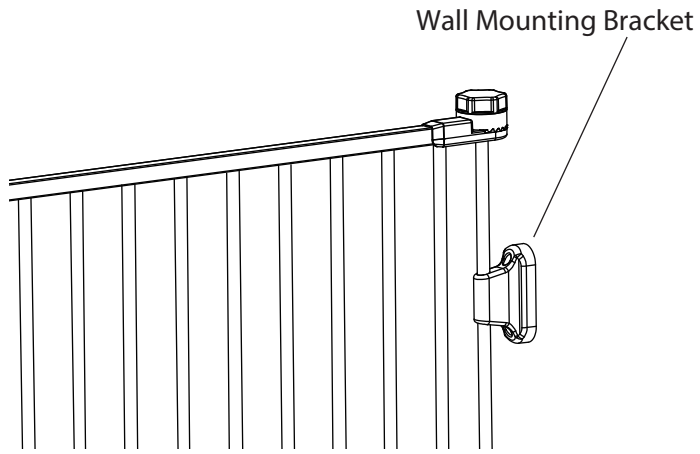
Diagram A



Step 2.

Bring the Wall Mounting Bracket to the wall you intend to attach it to as shown in Diagram B.

Diagram B



Step 3.

Use a Phillips/crosshead screwdriver to fix the Wall Mounting Bracket to the Wall as shown in Diagram C

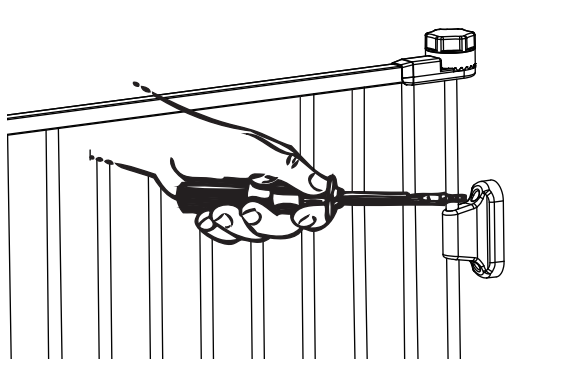


Diagram C

Step 4.

Repeat steps 2 & 3 on the other end of the gate. Arrange the panels into your desired configuration, then tighten each of the Locking Knobs.

Installation Option B :

To set it up as a Pet Yard enclosure.

Step 1.

Begin by unfolding the gate frame. To do this, simply loosen the Locking Knobs at each pivoting joint by turning the knob counter clockwise as shown in Diagram A. Loosen the knobs enough to allow the gate to swing open freely without fully removing the knobs.

Step 2.

Release the vertical Metal Pivot Bars at each end of the Pet Yard by removing the following parts from the assembly:

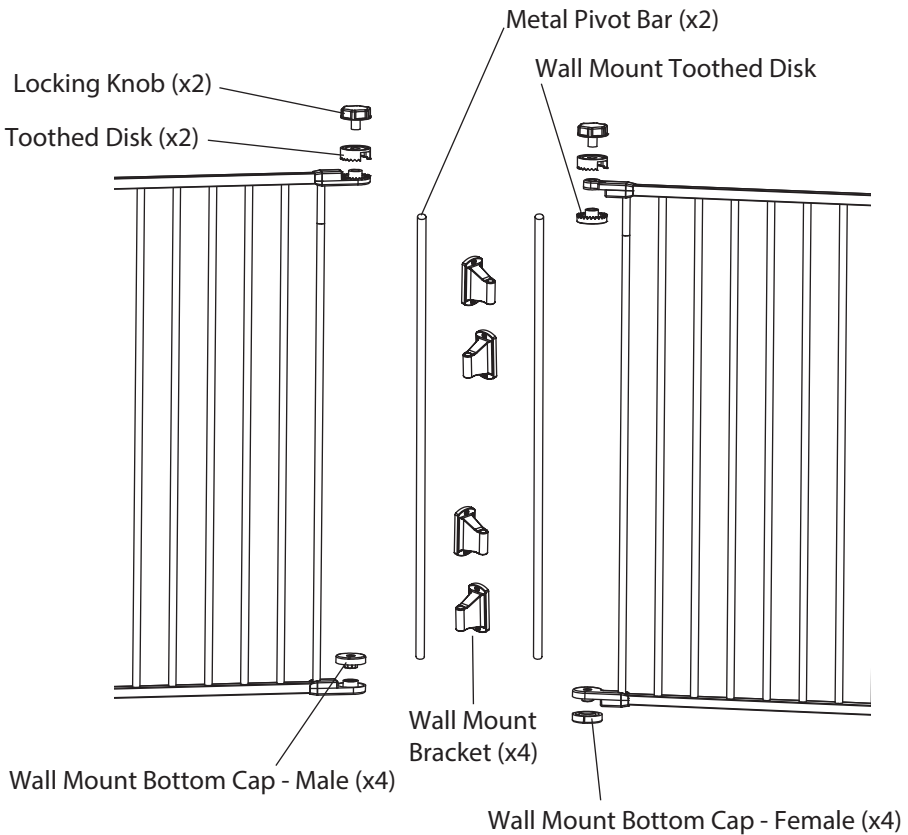


Diagram D

Step 3.

Position the Pet into your desired configuration (Example: Octagon, Square, etc.)
Then, join the free ends of the the Pet Yard together at the plastic joints as shown in
Diagram E1 and E2.

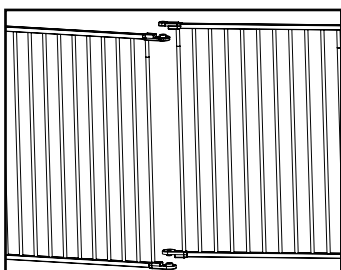


Diagram E1

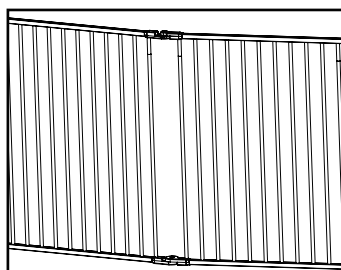


Diagram E2

Step 4.

Insert one of the previously removed Metal Pivot Bars through the opening created
by joining the upper plastic joints. Guide the Metal Pivot Bar downward into the
circular housing on the lower plastic joint. See Diagrams F1, F2 and F3.

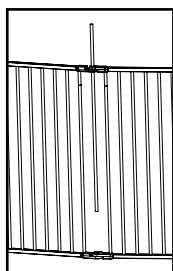


Diagram F1

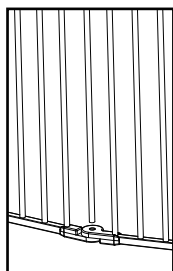


Diagram F2

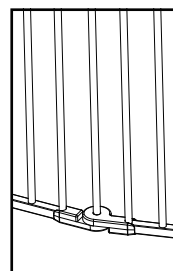


Diagram F3

Step 5.

Reassemble the upper locking joint by adding one of the previously removed Toothed
Disks and Locking Knobs. See Diagram G1, G2 and G3.

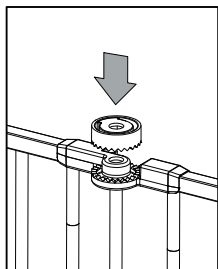


Diagram G1

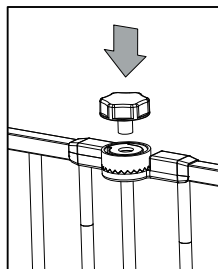


Diagram G2

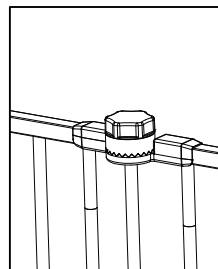


Diagram G3

Step 5.

Finally, tighten each of the Locking Knobs by turning them clockwise, fixing the Pet Yard into the configuration you have decided upon. To position the Pet Yard into a new configuration or shape, simply loosen each of the Locking Knobs, adjust and re-tighten.

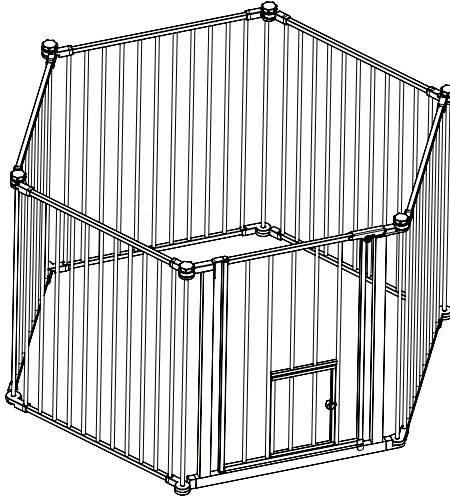


Diagram H

NOTE: When adding or removing additional panel units to the configuration, panels must be added or subtracted in sets of 2 for the Pet Yard to function properly. ADDITIONAL PANELS SOLD SEPERATLY.

To fold your Pet Yard

- Step 1:** To fold your Pet Yard begin by loosening all of the locking knobs so the Play Yard can move freely and becomes flexible at the joints.
- Step 2:** Remove one of the locking knobs from the Pet Yard and remove one vertical tube.
- Step 3:** You will now be able to pull the two plastic joints and the top and bottom of the Pet Yard apart.
- Step 4:** Fold and put away.

Care and Maintenance

Periodically check the 2-in-1 Pet Yard and Super Gate for signs of damage, wear, or missing components.

Do not use if any part is missing, worn or damaged.

Check the 2-in-1 Pet Yard and Super Gate regularly to ensure all the hardware and mountings are tightened.

Do not use abrasive cleaners or bleach.

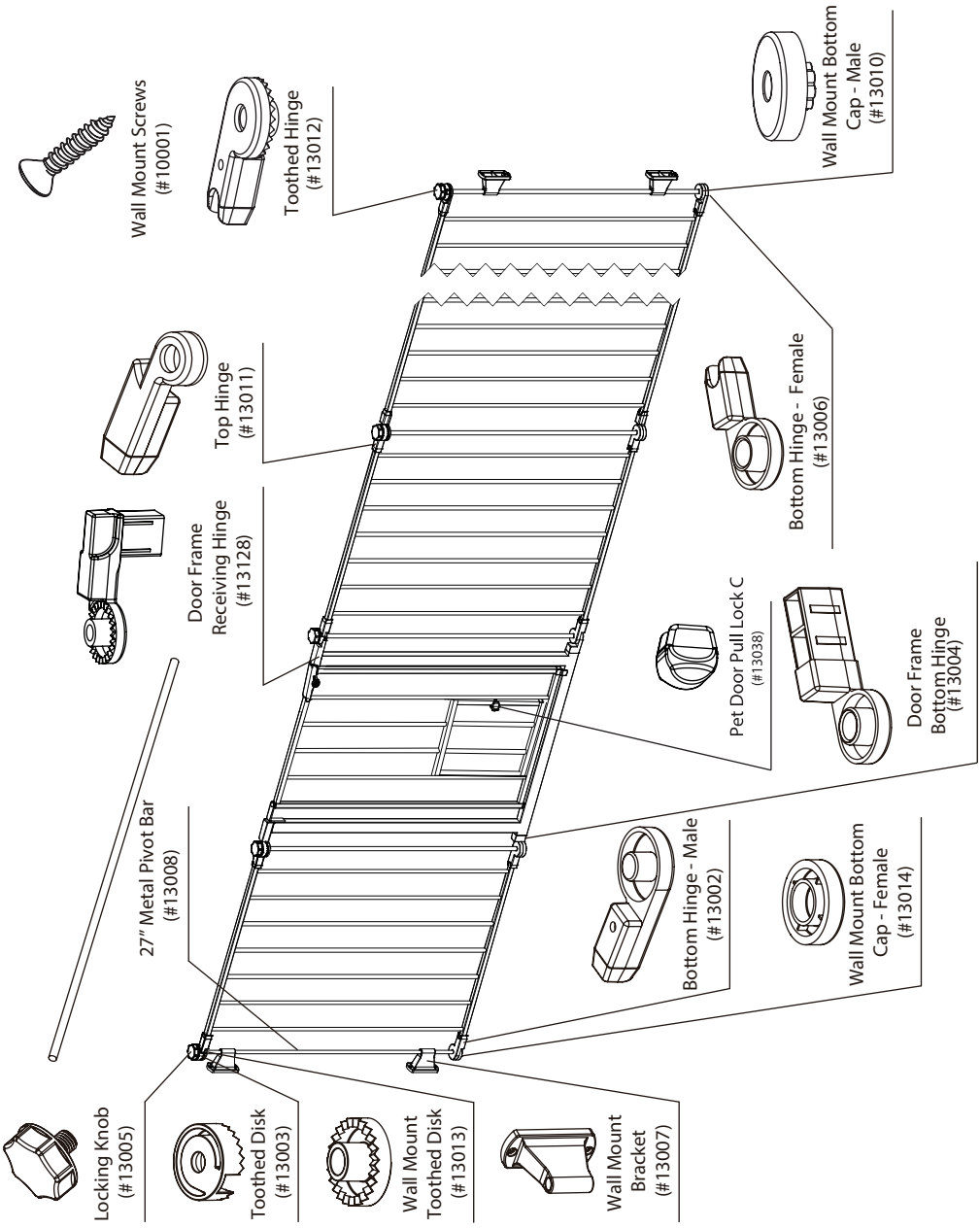
Clean by sponging with warm water and a mild detergent.

90 Days Limited Warranty:

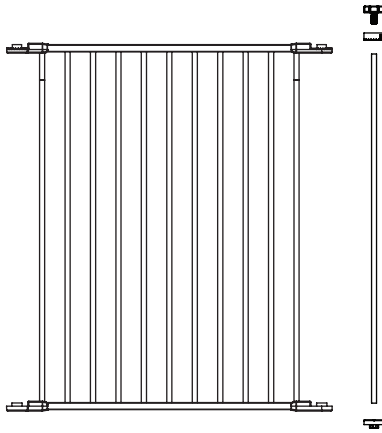
If, during the first 90 days after consumer purchase of the item, under reasonable and non-commercial use and conditions of maintenance, it fails while owned by the original purchaser because of the quality of materials or workmanship of finish and assembly, Carlson Pet Products LLC will replace or repair it at Carlson's option. PROOF OF PURCHASE REQUIRED.

Replacement Parts Available

In the event of any damage or breakage, the following replacement parts are available for order by contacting Carlson Customer Service.



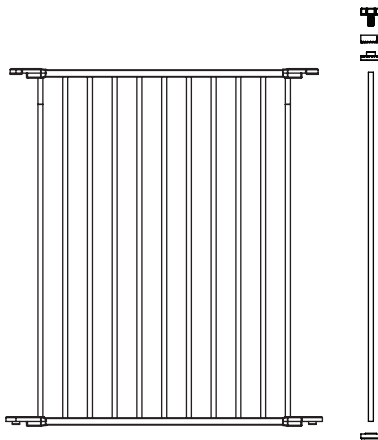
To extend your Pet Yard or gate into a larger shape, please purchase:



E Pet Yard Extension Kit

Model # : 0440W

And/Or



O Pet Yard Extension Kit

Model # : 0450W

CarlsonTM
Pet Products

Carlson Pet Products, Inc
3200 Corporate Center Drive, Suite 105
Burnsville, MN 55306-9804, USA
Phone: 952-435-1084

20190103ET