

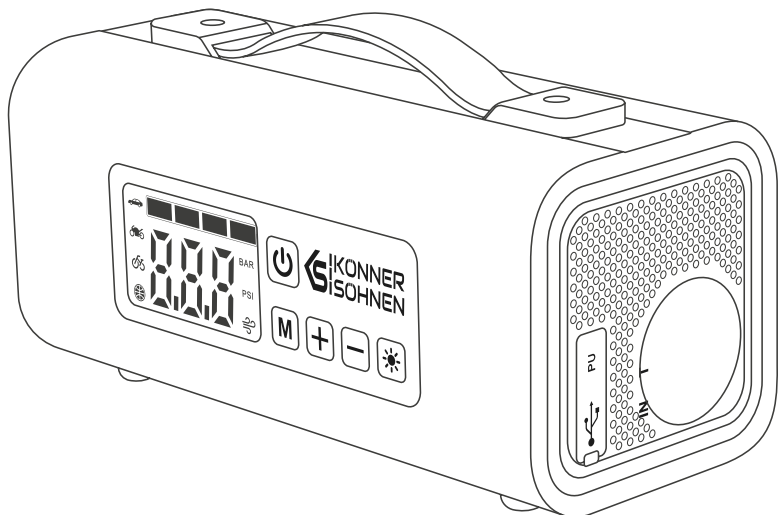
Please, read this manual  
carefully before use!

Owner's Manual



## Jump starter with air compressor

KS JSP-2000





Thank you for your purchase of **Könnner & Söhnen®** products. This manual contains a brief description of safety, use and debugging. More information can be found on the official manufacturer's website in the support section: **[konner-sohnen.com/manuals](http://konner-sohnen.com/manuals)**

You can also go to the support section and download the manual by scanning the QR code, or on the website of the official importer of Könnner & Söhnen® products: **[www.konner-sohnen.com/en-us](http://www.konner-sohnen.com/en-us)**



*Please, read this manual  
carefully before use!*

Manufacturer reserves the right to make alterations into the product, which may not be reflected in this manual. Pictures and photos of the product may vary from its actual appearance. At the end of this manual, You may find contact information which you are free to use in case of any issues occurrence.

All data, specified in this operation manual is the most up to date for the moment of its publishing. The current list of service centers you can find at the website of official importer: **[www.konner-sohnen.com/en-us](http://www.konner-sohnen.com/en-us)**



**ATTENTION - DANGER!**



**Failure to follow the recommendations marked with this sign may lead to serious injury or death of the operator or third parties.**



**IMPORTANT!**



**Useful information while operating the machine.**

## SAFETY INSTRUCTION

1

1. Read the operating instructions carefully before using the device.
2. The device must never be used as a substitute for a car battery.
3. Keep children and animals away from the working area of the device.
4. Only use the jump starter for 12 V batteries.
5. Keep the clips and their connection points clean and tidy. Never connect the clips together.
6. Avoid using the device near explosive substances, flammable gases, or in dusty environments.
7. Avoid overheating the device, smoking near the device, and exposing the device to extreme moisture; keep the device away from open flames and never immerse it in water.
8. The device must not be stored at temperatures exceeding 140 °F.
9. After successfully jump-starting the vehicle, disconnect the jump starter from the battery within 30 seconds to prevent equipment damage.
10. Do not use the jump starter cable to charge other devices.
11. Keep it supervised while charging.
12. Using the device at current and voltage ranges other than those specified on the device nameplate may cause charging and discharging problems and deterioration of battery capacity and performance. This is also dangerous and may cause the device to malfunction.
13. When the battery is stored for more than three months, the product needs to be charged to ensure the normal performance of the product.
14. Never do anything that may cause mechanical damage to the device.
15. Do not disassemble or transform the product without authorization.
16. If the device casing is bulged, leaking, or giving off an unpleasant odor, stop using the device immediately.
17. If you notice battery acid leaking from the battery, do not touch it with bare hands. If battery acid contacts the skin or eyes, rinse immediately with plenty of running cold water and soap. Flush eyes for at least 10 minutes. Seek medical advice if necessary.

18. The device features a lithium rechargeable battery that must be disposed of under the applicable laws in your country.
19. Please connect the starting cable correctly according to the manual.
20. Never attempt to jump-start the vehicle in continuous mode! The start cycle should take no more than 3 seconds, and the interval between cycles should be at least 1 minute. Do not exceed 3 consecutive start attempts.
21. After starting the car with the jump starter, the temperature of the jump starter, please do not charge the jump starter at this time, wait at least 8-10 minutes before charging.
22. Only use the jump starter cable supplied with the jump starter.
23. Do not charge the device immediately after jump-starting the vehicle's battery.
24. Never use the device to start the vehicle's battery and charge the device's internal battery simultaneously.



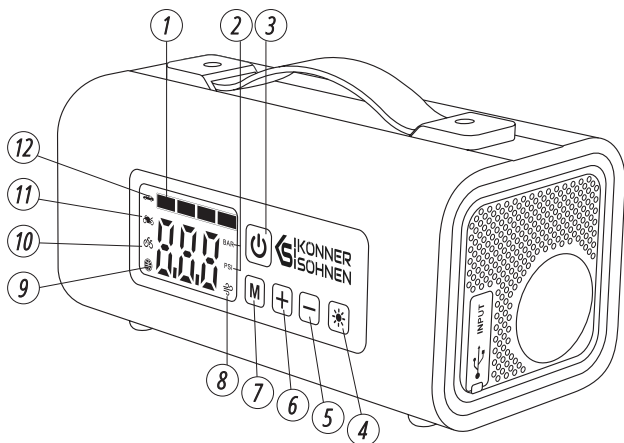
**WARNING!**



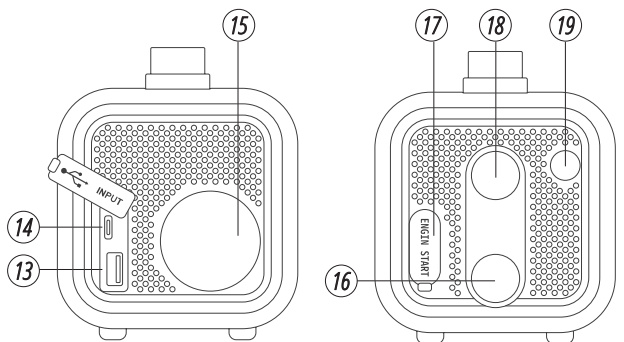
**Warning! When pumping, the device heats up, be careful and do not touch the metal parts directly. Do not pump longer than 8 minutes. Let the device cool down for at least 5-10 minutes!**

## MAIN OVERVIEW

2



1. Charge level
2. Units
3. Power Button
4. Light Button
5. "-" Button
6. "+" Button
7. Bar/PSI mode selection Button
8. Large-Volume Mode
9. Sport equipment inflation mode
10. Bicycle Mode
11. Motorcycle Mode
12. Car Mode



13. USB Output
14. Type-C Input
15. LED Light/SOS
16. Large-Volume Inflation Port
17. Battery Clamp Port
18. Large-Volume Deflation Port
19. High pressure Inflation port



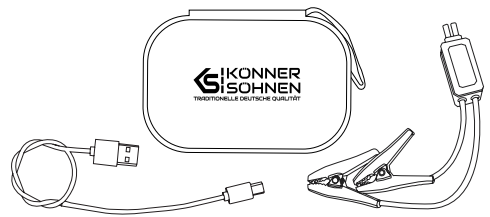
**IMPORTANT!**



**Manufacturer reserves the right to make changes and/or improvements in design, components set and technical attributes without notice and without incurring obligation. The pictures in this manual are schematical and may not match the parameters of original product.**

**THE PACKAGE INCLUDES:**

- Smart Battery Clamps
- USB Charging Cable
- Storage bag
- Air compressor
- Nozzles for inflating



**TECHNICAL SPECIFICATION**

**3**

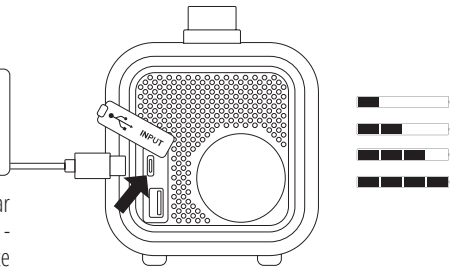
<b>Model</b>	<b>KS JSP-2000</b>
<b>Battery</b>	14800 mAh
<b>Voltage</b>	15V
<b>Rated starting current</b>	800 A
<b>Peak Current</b>	2000 A ( up to 8.0 Gasoline and 5.0 Diesel)
<b>Charging time</b>	6 hours
<b>USB Output</b>	5V/2A
<b>Type-C Input</b>	5V/2A
<b>Max pressure</b>	140 Psi
<b>Speed</b>	22 l/min
<b>Max air volume</b>	360 l/min
<b>Gross dimensions (LxWxH)</b>	4.5**3**8"
<b>Gross weight</b>	3 lbs
<b>Working temperature</b>	(25 °F) – (122 °F)

**PREPARATION**

**4**

**CHARGING OF AIR COMPRESSOR**

Connect one end of USB charging cable to the charger, and the other end to the Type-C port of air compressor.

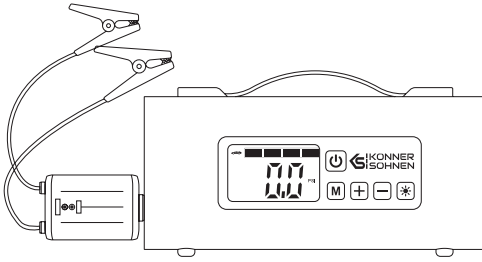


**NOTE:** Battery indicators show the current battery level (1 bar means under 25% of battery level, 2 bars - 25-50%, 3 bars - 50-75%, 4 bars 75-100%). Battery indicators will illuminate circularly while charging process and when all 4 indicators will be off - it means the charging process is finished.



**ATTENTION – DANGER!**

**Do not overinflate objects! It may lead to serious injury or damage of equipment.**



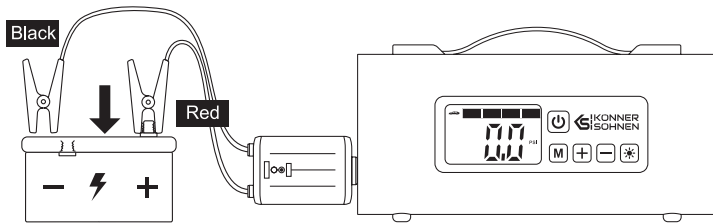
**STEP 1** – First insert smart battery clamps into the port of jump starter. If it is inserted completely, red indicator will flash on a jump starter cables. It means air compressor is discharged.

**Cause:** Low voltage

**Solution:** Charge it

**STEP 2** – Connect the battery clamp to the positive and negative poles of the car battery (Red for the positive terminal and black for the negative terminal).

Indicator of jump starter clamps will flash green - it means charging process has begun.



**Troubleshooting:** If smart battery clamps are illuminated with flashing red - polarities are reverse. Reverse the clamps to correct position.

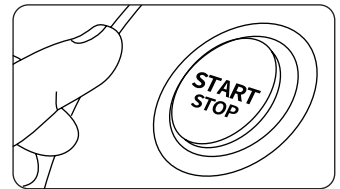
If red color is constant - the reason is short circuit, check the circuit.

**STEP 3** – Start the engine. Do not cycle the jump starter for more than 3 seconds, pause for 1 minute between jump start attempts. This is necessary to let the jump starter battery cool down.

#### Flashing red light

**Cause:** Failed to jumpstart in 30s.

**Solution:** Remove the clamps, try step 1.



**STEP 4** – After successful start of the car the plug is withdrawn from the jump starter first, and then the battery clips are removed from the positive and negative terminals.

**Tip 1:** Turn off any electrical devices in the vehicle before jump starting it.

**Tip 2:** If the vehicle does not start within 60 seconds of attempting ignition, stop and remove the clamps. Wait for 60 seconds and retry step 3.

#### AIR COMPRESSOR FUNCTION

1. Power on the air compressor and connect air hose to the inflate port of the compressor.
2. Attach the nozzle you need to air hose.
3. Choose needed mode by pressing "M" button (Car, Moto-bike, bicycle or sport equipment inflation mode).
4. Press and hold the "M" Button to choose Bar/PSI.
5. To shift from Bar to PSI - press and hold "M" button.
6. To start inflation process press the POWER button. When the inflation process is complete, air compressor will stop automatically.

**Tip:** The maximum pressure of the custom mode is 140 PSI, while the other four modes' values are fixed to avoid damages or safety hazards.

**ATTENTION – DANGER!****Be careful! Air compressor hose is heating up during inflation process. Do not touch it directly while inflating as it may cause burns!**

## HOW TO USE LARGE-VOLUME MODE

Turn on the air compressor by holding the Power button for 2 seconds. Connect large-volume hose to large-volume inflation port and attach needed nozzle out of available. Press “M” to choose large-volume mode.

Press Power button to start inflation process. When inflation is completed, remove large-volume hose.

Attach the hose to the suction hole for deflation, in such way you can deflate mattresses, boats and other large inflatable products.

**NOTE****Don't let to operate the air compressor for more then 10 minutes of continuous work. Let the air compressor to cool down for at least 10 min.****You can adjust the time of inflation by 30 sec. The default inflation time is 300 seconds.**

## HOW TO USE POWER BANK FUNCTION

Connect USB charging cable into USB port of air compressor and connect the other end of the cable to device you need to charge.

## LIGHTENING FUNCTION

Press the Light button to turn on the LED light of air compressor. Press Light button again to choose the mode you need (flashlight mode, strobe mode or SOS). Press the button again to turn off the lightening.

**NOTE****When the battery is stored for more than three months, the product needs to be charged to ensure the normal performance of the product.**

## ERRORS DESCRIPTION

**6**

# Error	Error	Solution
E1	Battery overheating.	Let it cool down.
E2	Low battery temperature, can't charge it.	Use at the recommended temperature.
E3	Engine overheating.	Let it cool down.
E4	At more than 10 minutes of continuous operation protection function is activated.	Let it cool down for 10 min and restart again if needed.
E5	Insufficient battery level.	Charge it.

## CONTACTS

**The United States:**

KS Energy Solutions, Inc.  
Balcones Drive STE 100 Austin,  
TX 78731, USA

**Authorized Warranty Service**

[support.us@dimaxgroup.com](mailto:support.us@dimaxgroup.com)

[www.konner-sohnen.com/en-us](http://www.konner-sohnen.com/en-us)