

**Please, read this manual
carefully before use!**

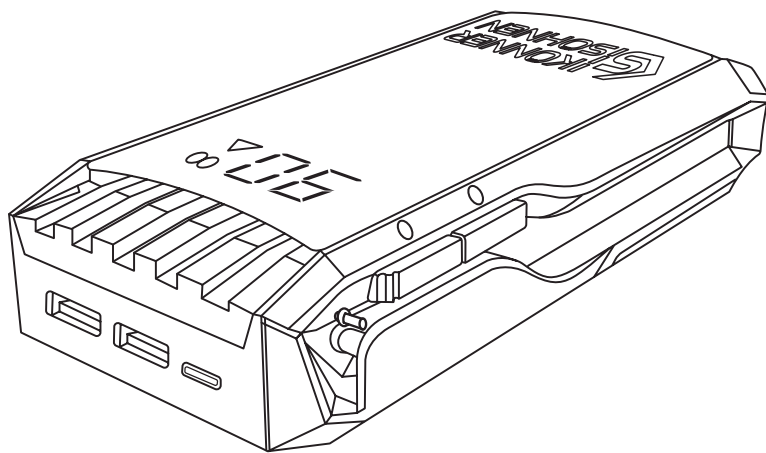
Owner's Manual



Jump starter

KS JS-1000

KS JS-1400





Thank you for your purchase of **Könnér & Söhnen®** products. This manual contains a brief description of safety, use and debugging. More information can be found on the official manufacturer's website in the support section: konner-sohnen.com/manuals

You can also go to the support section and download the manual by scanning the QR code, or on the website of the official importer of Könnér & Söhnen® products: www.konner-sohnen.com/en-us



*Please, read this manual
carefully before use!*

Manufacturer reserves the right to make alterations into the generators, which may not be reflected in this manual. Pictures and photos of the product may vary from its actual appearance. At the end of this manual, You may find contact information which you are free to use in case of any issues occurrence.

All data, specified in this operation manual is the most up to date for the moment of its publishing. The current list of service centers you can find at the website of official importer: www.konner-sohnen.com/en-us



ATTENTION – DANGER!



Failure to follow the recommendations marked with this sign may lead to serious injury of the operator or third parties.



IMPORTANT!



Useful information while operating the machine.

JUMP STARTER

1

Jump starter has following functions



Jump starter



Device charging function



Flashlight function

Jump starter KS JS-1000 can instantly start 12V vehicles up to 1.6 gal. (6L) gasoline or 0.8 gal. (3L) diesel engines.

Jump starter KS JS-1400 can instantly start 12V vehicles up to 2.6 gal. (10L) gasoline or 1.6 gal. (6L) diesel engines.

SAFETY WARNINGS

2



ATTENTION – DANGER!



No charging the product in unattended places!



WARNING!



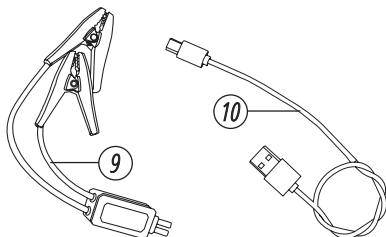
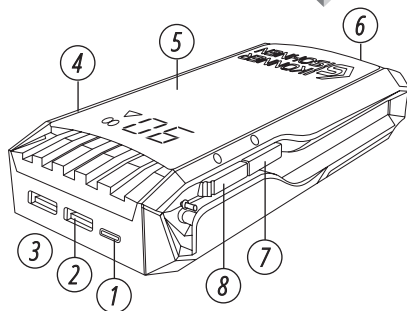
To keep away from fire, electric shock or any damage to your car, please follow the warnings below:

- Do not throw or hit hard. Do not disassemble or reinvent. Do not place in liquid or fire. Do not expose to high temperature. If the product is damaged, please stop using it.
- Do not allow children to touch the product, this is not a toy. People without safety awareness and normal behavior should use this product under the supervision and guidance of a legal guardian.
- Do not clamp both battery terminals together or clamp on the same piece of metal. Otherwise, it may cause safety accidents.

MAIN OVERVIEW

3

1. Charge port
2. USB output port
3. Quick charge inlet
4. DC anti-reverse insertion car start entrance
5. Smart digital display
6. LED Lighting
7. Main switch
8. LED light switch



THE PACKAGE INCLUDES:

- Jump starter
 - Packaging
 - Operating instruction
 - Accessories storage bag
9. Smart clamp
 10. USB charging cable



IMPORTANT!



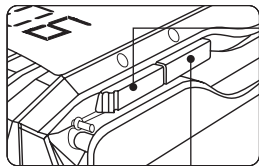
Manufacturer reserves the right to make changes and/or improvements in design, components set and technical attributes without notice and without incurring obligation. The pictures in this manual are schematic and may not match the parameters of original product.

TECHNICAL SPECIFICATION

3

Model parameters	KS JS-1000	KS JS-1400
Battery	12000 mAh	18000 mAh
USB output	5V/3A, 5V/2A	5V/3A, 5V/2A
USB input	5V/3A	5V/3A
Rated starting current	500 A	700 A
Peak current	1000 A	1400 A
Charging time	4-5 hours	4-5 hours
Dimensions (LxWxH)	7.7"*3.9"*1.5"	7.7"*3.9"*1.5"
Working temperature	(-4 °F) – (+140 °F)	(-4 °F) – (+140 °F)

HOW TO USE LED EMERGENCY LIGHTING

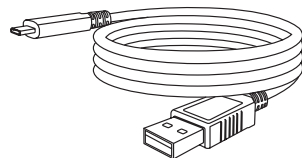


Press and hold the key for 3 seconds to turn on the flashlight, then the light button function changes from solid light to flashing, SOS distress signal light.

Press and hold again for three seconds to turn off the flashlight.

HOW TO CHARGE THE PRODUCT?

Connect the charging head/charging cable to the charging interface, and connect the other end to 220V household electricity or 12V car charging. When the charging process starts, the display shows flashing "IN" letters. This means that charging is in process. When "IN" stops flashing - the battery is full.

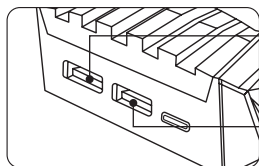


DESCRIPTION OF THE DISPLAY SCREEN OF THE CAR EMERGENCY STARTER:

1. Turn on the main switch on the side of the car's emergency start power supply, and lightly press the display switch to display the power.
2. There is a virtual power when you use it for the first time.

HOW TO CHARGE THE PHONE OR LAPTOP?

Plug in the charging cable, and then short press the power button to charge the phone or laptop.



USB QC slot 5V/3A for phone

USB charging slot 5V/2A

JUMP STARTER CHARGING INSTRUCTIONS:

To charge your phone or other device from the power bank, you need to connect the charging cable to the USB port. When connected to the standard port, it will display "OUT 5V/2A," and when connected to the fast charging port, it will display "OUT 5V/3A."

HOW TO START A CAR WITH A FLAT BATTERY:

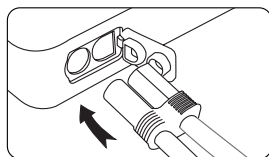


WARNING!

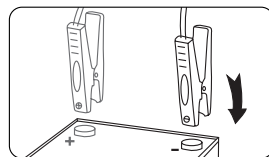


The device is suitable only for 12V batteries!

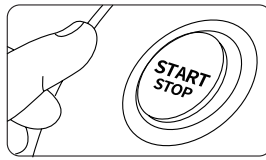
When starting the car, please confirm that the power of the product is more than 20%.



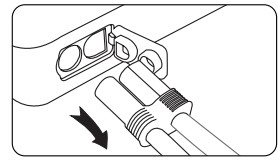
STEP 1: Open the silicone stopper of the product and insert the battery clamp into the corresponding hole of the product.



STEP 2: Connect the battery clamp to the positive and negative poles of the car battery (Red for the positive terminal and black for the negative terminal).



STEP 3: Start the engine. Do not cycle the jump starter for more than 3 seconds, pause for 1 minute between jump start attempts. This is necessary to let the jump starter battery cool down.



STEP 4: The plug is withdrawn from the jump starter first, and then the battery clips are removed from the positive and negative terminals.

When the connection is successful, the indicator lights up green.

The red light indicates that the supply voltage is too low or that the positive and negative electrode terminals have been swapped.

TROUBLESHOOTING

6

HOW TO USE THE INTELLIGENT BATTERY CLAMPS?

When the intelligent battery clamps are connected to the jump starter and car battery, the light indicator stays on green and the buzzer does not sound, which is the on state and can start the car normally.

AUTOMATIC SHUTDOWN

The product has an intelligent detection function. Once there is no load, or the electronic devices are fully charged, it will be automatically powered off to save power.

HOW LONG WILL IT TAKE TO CHARGE THE PRODUCT?

4 – 5 hours.

To extend the device's service life, we recommend keeping the device charged to at least 50% and checking the charge level every month.

WARNING

7

1. Read the operating instructions carefully before using the device.
2. The device must never be used as a substitute for a car battery.
3. Keep children and animals away from the working area of the device.
4. Only use the jump starter for 12 V batteries.
5. Keep the clips and their connection points clean and tidy. Never connect the clips together.
6. Avoid using the device near explosive substances, flammable gases, or in dusty environments.
7. Avoid overheating the device, smoking near the device, and exposing the device to extreme moisture; keep the device away from open flames and never immerse it in water.
8. The device must not be stored at temperatures exceeding 140 °F.
9. After successfully jump-starting the vehicle, disconnect the jump starter from the battery within 30 seconds to prevent equipment damage.
10. Do not use the jump starter cable to charge other devices.
11. Keep it supervised while charging.
12. Using the device at current and voltage ranges other than those specified on the device nameplate may cause charging and discharging problems and deterioration of battery capacity and performance. This is also dangerous and may cause the device to malfunction.
13. When the battery is stored for more than three months, the product needs to be charged to ensure the normal performance of the product.

14. Never do anything that may cause mechanical damage to the device.
15. Do not disassemble or transform the product without authorization.
16. If the device casing is bulged, leaking, or giving off an unpleasant odor, stop using the device immediately.
17. If you notice battery acid leaking from the battery, do not touch it with bare hands. If battery acid contacts the skin or eyes, rinse immediately with plenty of running cold water and soap. Flush eyes for at least 10 minutes. Seek medical advice if necessary.
18. The device features a lithium rechargeable battery that must be disposed of under the applicable laws in your country.
19. Please connect the starting cable correctly according to the manual.
20. Never attempt to jump-start the vehicle in continuous mode! With standard power, the start cycle should take no more than 3 seconds, and the interval between cycles should be at least 1 minute. Do not exceed 3 consecutive start attempts.
21. After starting the car with the starting power, the temperature of the starting power supply itself will rise, please do not charge the starting power at this time, at least 8-10 minutes before charging.
22. Only use the jump starter cable supplied with the jump starter.
23. Do not charge the device immediately after jump-starting the vehicle's battery.
24. Never use the device to start the vehicle's battery and charge the device's internal battery simultaneously.

CONTACTS

The United States:

KS Energy Solutions, Inc.
Balcones Drive STE 100 Austin,
TX 78731, USA

Authorized Warranty Service
support.us@dimaxgroup.com

www.konner-sohnen.com/en-us