



- High power Drawer magnets with standard 75mm to 300mm inlet and outlet in Round or Square profile for easy retrofit to Hoppers.
- Choice of single, double or multilayered magnetic drawers.
- Magnetic drawer made from powerful Rare Earth magnets for ambient temperature operations.
- Drawers are either of standard or Easy cleaning type.
- High temperature magnets available optionally.
- Food grade Stainless Steel construction.



- Attracts tramp iron pieces from inflow of materials in hopper.
- Used particularly in plastic, chemicals, grains, cosmetics processing for powder separation.
- Concentrated magnetic field in the magnetic rod provides high grade attraction.



Round Flange Easy cleaning type



Square Flange Easy cleaning type



Round Flange 4-Layer type



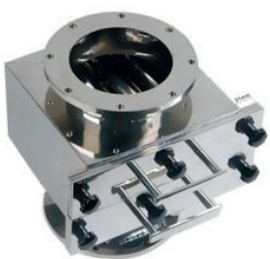
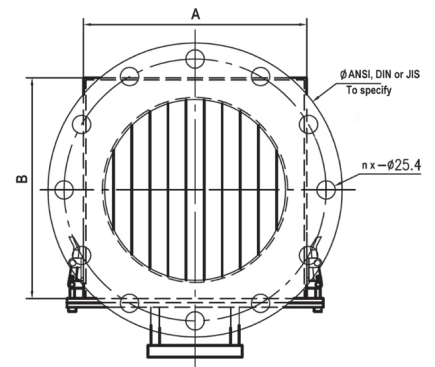
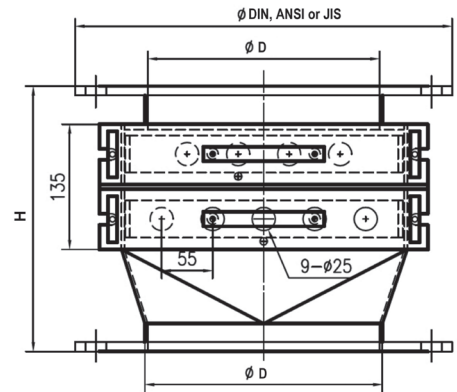
Product Code : HDM

All dimensions in metric units

Model No.	Inlet Dims	H	A	B
HDMd-NR-150	150	286	208	208
HDMd-NR-200	200	286	258	258
HDMd-NR-250	250	286	308	308
HDMd-NR-300	300	286	358	358
HDMs-NR-150	150	216	208	208
HDMs-NR-200	200	216	258	258
HDMs-NR-250	250	216	308	308
HDMs-NR-300	300	216	358	358
HDMd-NS-2020	200 x 200	270	208	208
HDMd-NS-2525	250 x 250	270	258	258
HDMd-NS-3030	300 x 300	270	308	308
HDMd-NS-3535	350 x 350	270	358	358
HDMd-NS-4040	400 x 400	270	408	408
HDMs-NS-2020	200 x 200	200	208	208
HDMs-NS-2525	250 x 250	200	258	258
HDMs-NS-3030	300 x 300	200	308	308
HDMs-NS-3535	350 x 350	200	358	358
HDMs-NS-4040	400 x 400	200	408	408

s =single row, d=double row, R=Round flange, S= Square flange, N=Neodymium

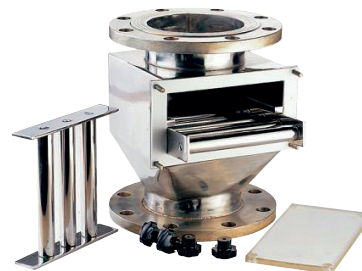
Due to continuous upgradation in design there could be changes in specification. Other sizes on request. Before ordering, contact Supreme Magnets or your nearest dealer to confirm the suitability of this model for your application.



Easy cleaning type



Standard type



When dismantled for cleaning

Supreme Magnets' Hopper Drawers are by default constructed for sanitary grade (SS304) or food grade (SS316, upon asking).

Downgraded construction for non-sanitary application upon request

Product specification varies with specific application needs. Discuss your requirement with us for the most suitable product.

