

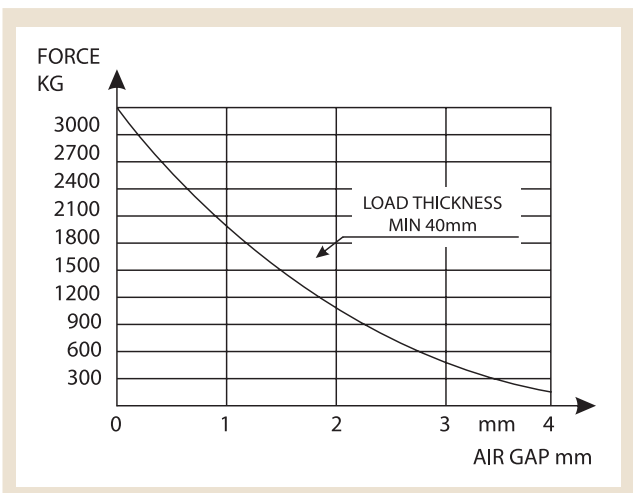
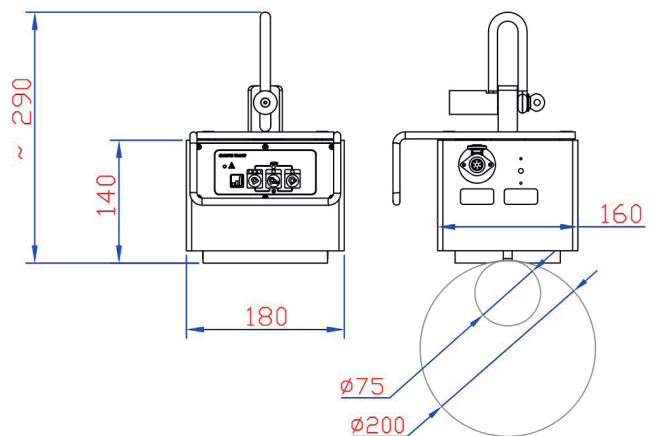
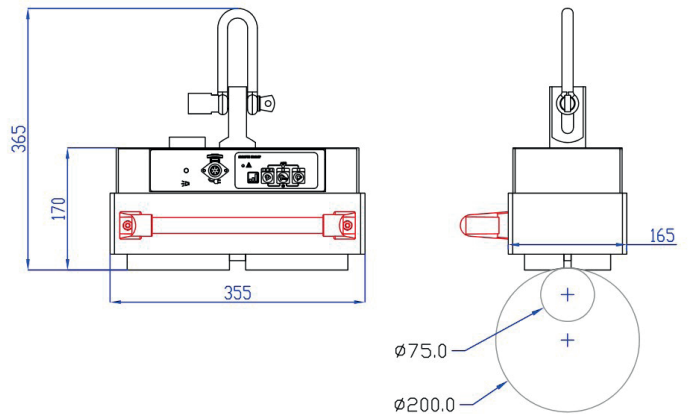
Battery Operated ElectroPermanent Lifting Magnet



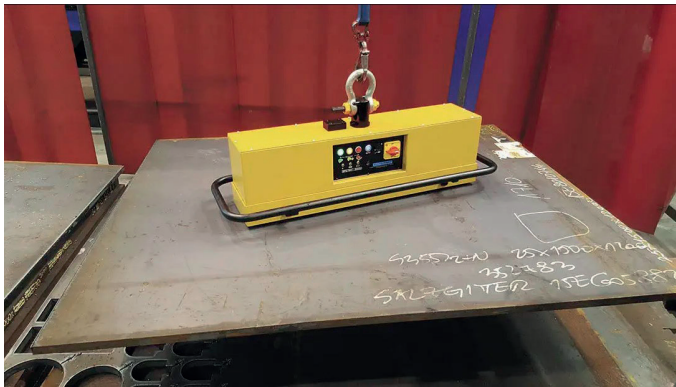
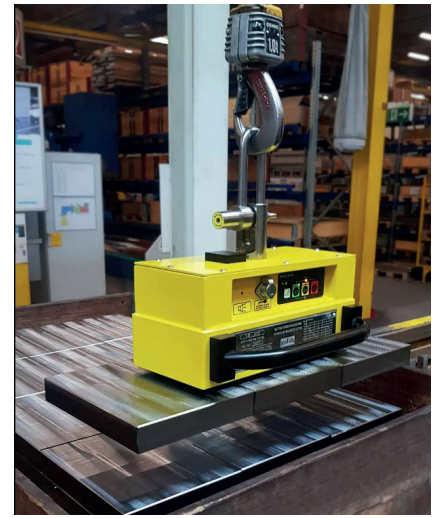
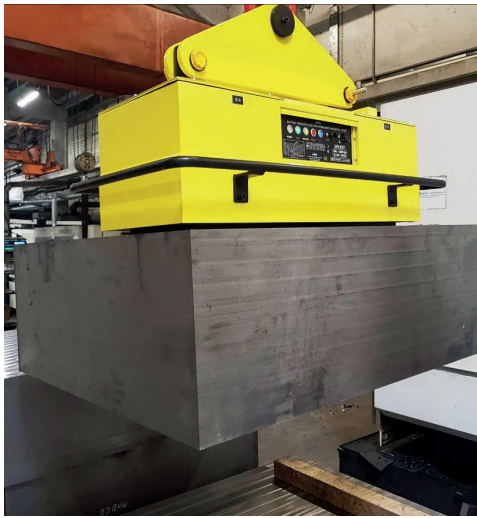
- Revolutionary technique for safe magnetic lifting.
- Electro Permanent Magnetic Lifter - battery powered.
- Light weight and robust construction.
- Safety factor of 3 is maintained for each magnet.
- No battery power is needed to keep magnet on.
- 2 Pole design for lifting both round and flat components.
- Maintenance free completely sealed rechargeable batteries.
- With battery fully charged- can switch On/Off approximately 300 times.
- Warning signal when battery charge level is low.
- Inbuilt battery charger with over charge protection.
- Battery Charging cable is in built in a sliding case.



- For handling off-cuts and small plates from & to CNC plate cutting tables. For loading & unloading plates from Vertical CNC machines.
- In stock yards for handling flats, plates, rounds.
- For loading/unloading in difficult environmental conditions.
- Since no mechanical lever is actuated, it is very comfortable for the operator even while working at odd site conditions.
- Automatic Sequential switching On/Off using contactless relay. The magnet initially is in Off condition, after placing on the load, when the hoist pulls up, it actuates a contactless relay and the magnet is automatically switched On. When it is hoisted down, the magnet remains On. And now when it is lifted the same is Off and releases the job.
- Ready to use magnets can be hooked to crane giving incredible flexibility and unbeaten cost reduction for moving ferrous load.



## Battery Operated ElectroPermanent Lifting Magnet



Product Code : EP BM

All dimensions in metric units

Model	Flat Load	Round Load	Round Load Dia	Min thickness for Operation	Min Plate Thickness for Separation	Magnet Area	Gross Dimensions	Weight	Full Charge Activation
EP-BM200	200	50	75-150	8	4	115 x 50	150 x 85 x 150	10	1000
EP-BM500	500	200	75-200	10	4	145 x 25	180 x 160 x 140	25	1000
EP-BM950	950	400	75-200	12	4	320 x 130	355 x 165 x 170	40	1000
EP-BM3000	3000	1500	80-400	40	6	460 x 230	560 x 340 x 500	190	300
EP-BM5000	5000	2500	80-400	50	6	680 x 380	740 x 410 x 320	520	300
EP-BM10000	10000			70	6	1060 x 500	1160 x 500 x 600	715	300

Due to continuous upgradation in design there could be changes in specification. Other sizes on request. Before ordering, contact Supreme Magnets or your nearest dealer to confirm the suitability of this model for your application.

Charging Mains Source: 110 / 220 VAC, 50/60 Hz