

FASCO MOTORS MAY PROVIDE TECHNICAL ASSISTANCE TO OUR CUSTOMERS IN MANY AREAS. HOWEVER, SINCE FASCO MOTOR IS NOT AWARE OF ALL DATA CONCERNING THE USE AND APPLICATION OF THIS MOTOR, THE FITNESS OF THE MOTOR FOR THE APPLICATION MUST BE DETERMINED BY AND IS THE RESPONSIBILITY OF THE CUSTOMER.



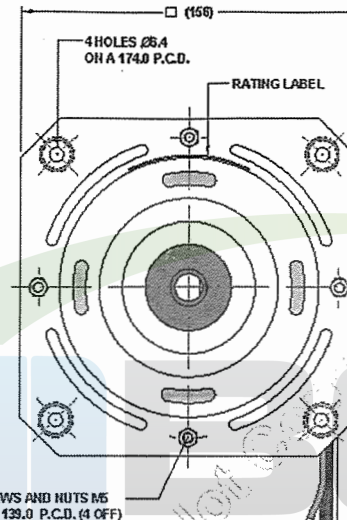
MOTOR SPECIFICATION

FINAL INSPECTED MOTORS MUST COMPLY WITH ELECTRIC MOTOR VIBRATION SPECIFICATION (ES049)

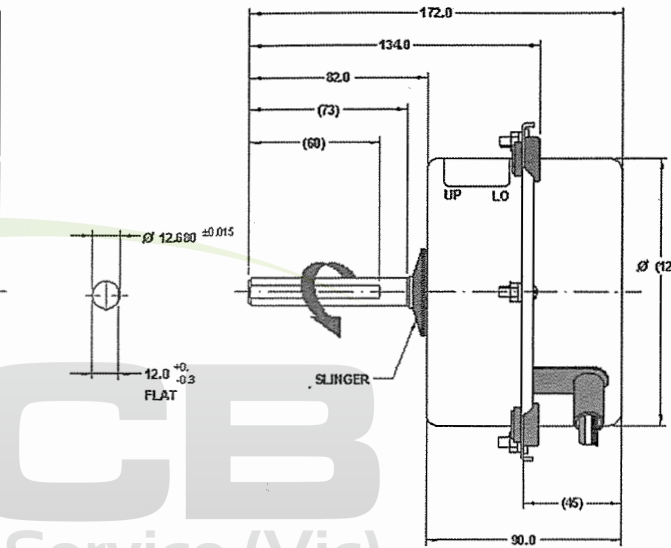
THIRD ANGLE PROJECTION

B1-1/8-KA

Q.R.No.	-	CUSTOMER NO.	-
CUSTOMER	VARIOUS		
MOTOR RATING	VOLTS	220	Hz 50/60 Ph 1 Duty S1 ACM
	RPM.	900 / 1000	0.88 / 1.08 AMPS
NOM. OUTPUT	88 / 131 WATTS		
ROTATION	REVERSIBLE		
CAPACITOR	START	μF/V	RUN 5/400 μF/V
ENCLOSURE	VENTED		
MOTOR TYPE	PSC	INSULATION CLASS	B
THERMAL PROTECTION	AUTO RESET OVERLOAD		
APPLICATION	FAN CONDENSING - SHAFT HORIZONTAL		
BEARING D.E.	6202 ZZ	LUBRICATION	LONG LIFE, WIDE RANGE
BEARING N.D.E.	6202 ZZ		
SUPPLY LEAD	AS SHOWN		
EARTH PROVISION	SUPPLIED		
BASIC BUILD SPECIFICATION	BB74SS-040	PAINT/ COLOUR	PC GREY
PERFORMANCE SPECIFICATION	SP74103-01,-02		
CONNECTION DIAGRAM	CDC-010	RATING LABEL	P007588

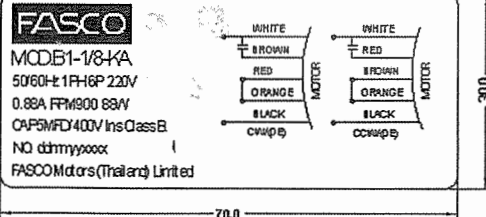


SCREWS AND NUTS M5 ON A 139.0 P.C.D. (4 OFF)



5 LEADS 18 AWG UL1015 @800±25 (WHITE / BROWN / ORANGE / RED / BLACK)

GROUND LEAD 18 AWG UL1015 @800±25 (GREEN-YELLOW) WITH TERMINAL RING Ø5



SPECIAL REQUIREMENTS
1) CAPACITOR SUPPLIED LOOSE WITH MOTOR

UNLESS OTHERWISE SPECIFIED : DIMENSIONS ARE IN MM TOLERANCES
DECIMALS ANGULAR
.X ± 1.0 ± 30'
.XX ± 0.1

MOTOR WEIGHT	3.7 kg.	
DRAWN	WASANA	04/06/00
CHECKED	PIPAT	18/12/02
RELEASED	PIPAT	18/12/02
SCALE	N.T.S.	

FASCO THAILAND

297-5 HOO, BANGKOK - SAIKHOI RD., BANGKOK, BANGKOK METRO DISTRICT, BANGKOK 10110 THAILAND

FRAM	
STAT	R
SHEET	DWG. NO. B1-1/8-KA
A3	REV/DIA I

BCB SALES & SERVICE
PH : 03 9546 3833
FAX : 03 9546 3356

MFC No. 000931
By: NITHAD
Date: 18/12/02
MFC ADD: SP74103-02 SAME AS 7456(VA)-A11S