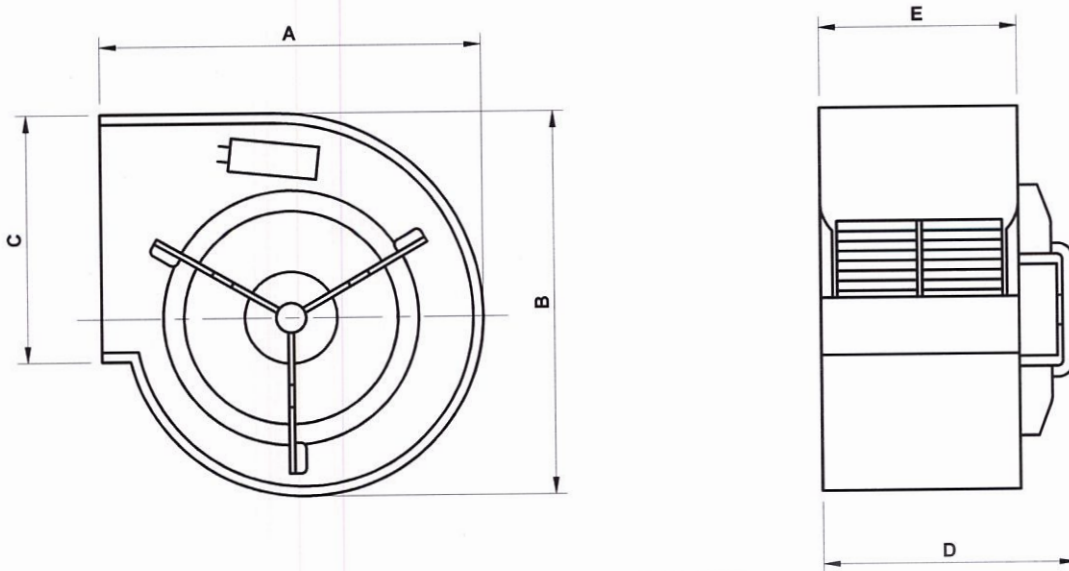


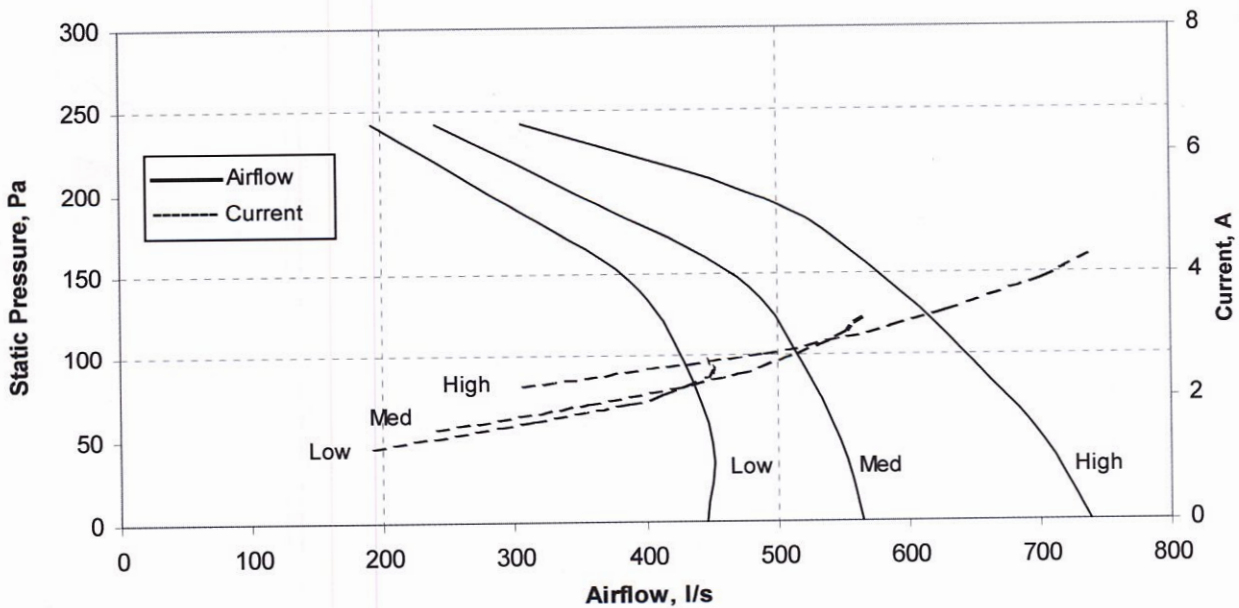
# 9x9 tight blower with 315W motor



Part Number	A	B	C	D	E
FB 9x9T-315-02	318	325	259	340	302

Motor					
Rated Output 315W	Supply 240V/50Hz	Rated RPM 1350	Rated Current 2.5 amps	Capacitor 4uF/440V	Insulation Class B 130
Enclosure IP20	Thermal Protection Auto Reset Overload		Duty AOM		

Wheels	
Glass Filled Nylon with plated mild steel hub	



Dimensions

Product Data

Performance