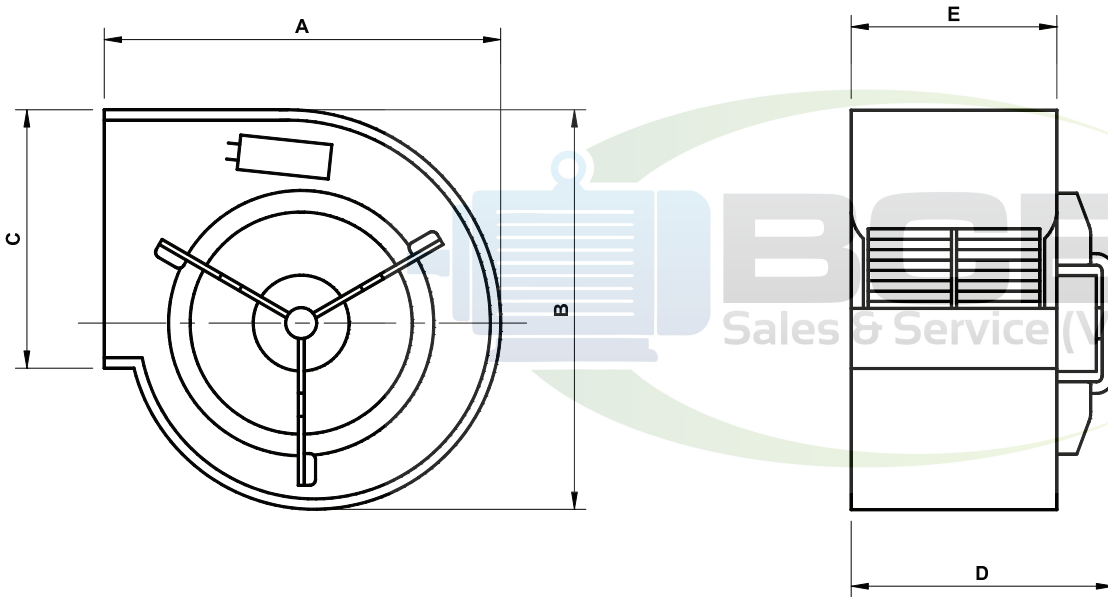


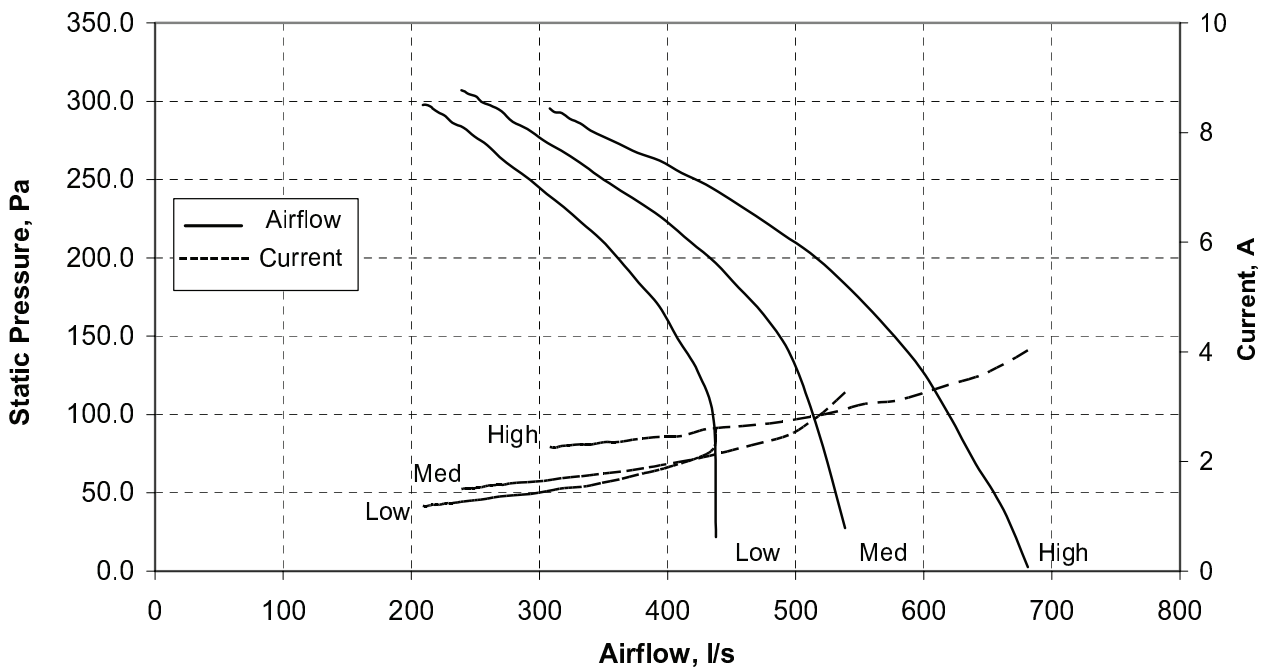
# 9x7 tight blower with 315W motor



| Part Number    | A   | B   | C   | D   | E   |
|----------------|-----|-----|-----|-----|-----|
| FB 9x7T-315-27 | 318 | 329 | 265 | 284 | 234 |

| Motor                |   |                   |                           |                       |                           |
|----------------------|---|-------------------|---------------------------|-----------------------|---------------------------|
| Rated Output<br>315W | Supply<br>240V/50Hz                       | Rated RPM<br>1350 | Rated Current<br>2.5 amps | Capacitor<br>4uF/440V | Insulation<br>Class B 130 |
| Enclosure<br>IP20    | Thermal Protection<br>Auto Reset Overload |                   | Duty<br>AOM               |                       |                           |

| Wheels  |  |
|---|--|
| Glass Filled Nylon or Glass Filled Polypropylene with plated mild steel hub |  |



Dimensions

Product Data

Performance