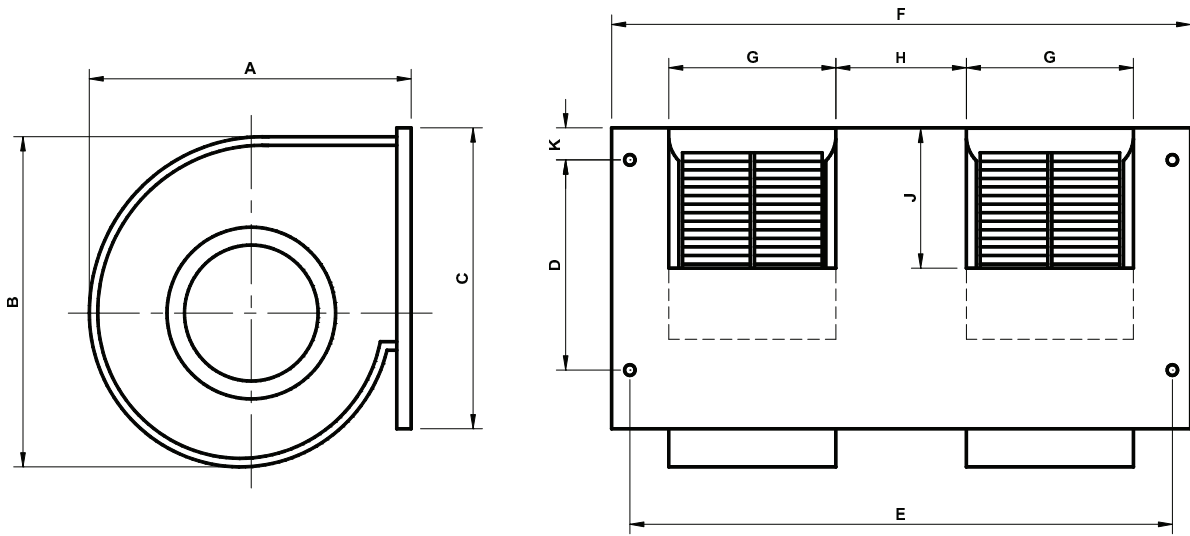


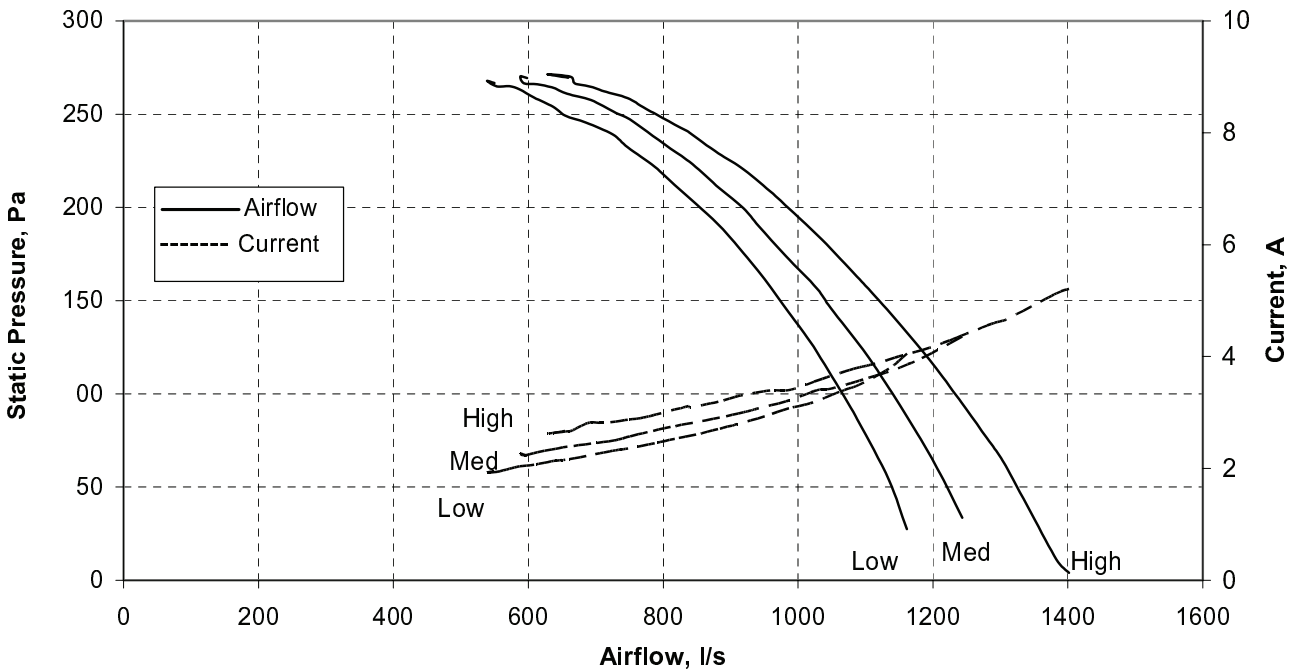
8x8 fan deck with 600W motor



Part Number	A	B	C	D	E	F	G	H	J	K	Nutsert
FD 8x8-600-01	280	320	308	255	760	810	250	205	163	25	M6

Motor					
Rated Output 600W	Supply 240V/50Hz	Rated RPM 1330	Rated Current 4.0 amps	Capacitor 15uF/440V	Insulation Class B 130
Enclosure IP20	Thermal Protection Auto Reset Overload		Duty AOM		

Wheels	
Glass Filled Nylon or Glass Filled Polypropylene with plated mild steel hub	



Dimensions

Product Data

Performance