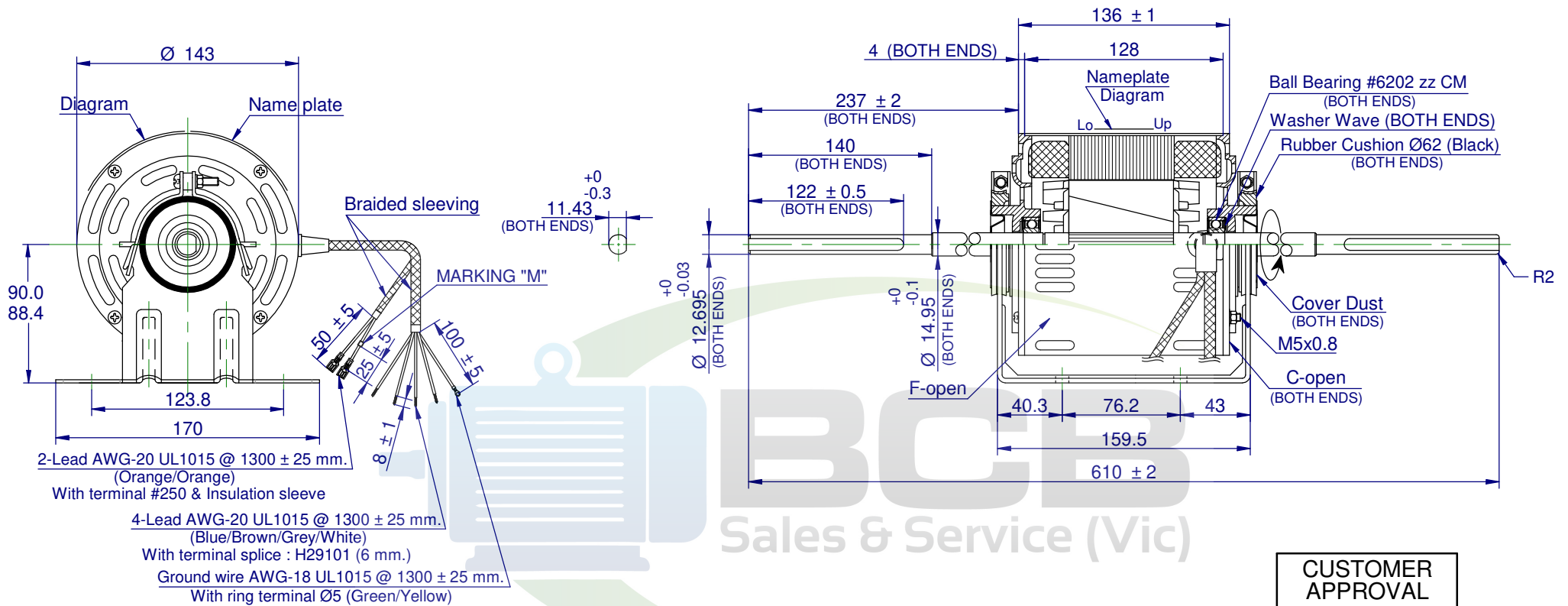


THIRD ANGLE PROJECTION



CUSTOMER APPROVAL
 BY.....
 DATE.....

DOC No. _____
 Date: _____
 DOC No. _____

MOTOR SPECIFICATION

Q.R. NO.	---		CUSTOMER PART NO. 80855QVA-A11S					
MOTOR RATING	VOLTS	240	Hz	50	PH	1	DUTY	A.O.M.
	RPM.	1360/3SP				4.9 AMPS		
	NOM. OUTPUT	750 WATTS						
ROTATION	ANTI CLOCKWISE AT LEAD END							
CAPACITOR	START	---	μ F/V	RUN	20/440 μ F/V			
MOTOR TYPE	CSR		INSULATION CLASS		B130			
THERMAL PROTECTION	AUTO RESET OVERLOAD							
DATA TEST NO.	W443-1729-SL		PAINT/ COLOUR		GREY #5082			

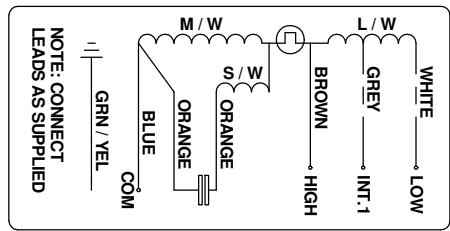
- SPECIAL REQUIREMENTS:**
- 1) After the motor is complete, applied rust proof oil at shaft end.
 - 2) The tensile strength of each lead wire at least 4 Kgs.
 - 3) The runout of the shaft end circumference 0.20 mm.
 - 4) Motor to be packed in single carton.

marathon Motors
 DESIGNED AND MANUFACTURED TO AUSTRALIAN STANDARDS & SPECIFICATIONS

MODEL	8M855QVA-A11S		
	DDMMYYXXXX		

VOLTS 240 R.P.M. 1360/3SP CLASS B130 Hz 50
 WATTS 750 TYPE CSR μ F/V R 20/440 Ph 1
 AMPS 4.9 DUTY AOM PROT. AUTO

WARNING MOTOR FITTED WITH INTERNAL AUTO RESET OVERLOAD AND MAY RESTART WITHOUT WARNING



UNLESS OTHERWISE SPECIFIED : DIMENSIONS ARE IN MM. TOLERANCES

DECIMALS	ANGULAR
X \pm 1.0	$\pm 30'$
.XX \pm 0.1	

MOTOR WEIGHT: 10.00 kg.

DRAWN	THANATCHA	01/12/2022
CHECKED	EKAPHOP	01/12/2022
RELEASED	WEERAPAN	01/12/2022
SCALE	N.T.S.	

Regal Rexnord
 19 CORPORATE AVENUE, ROWVILLE VIC 3178 AUSTRALIA

FRAME	MOTOR		
STATUS	750W 4P 3SP 240V D/S ACW LE PSC SINGLE PACK		
SHEET	DWG. NO.	REVISION	
A3	8M855QVA-A11S	A	