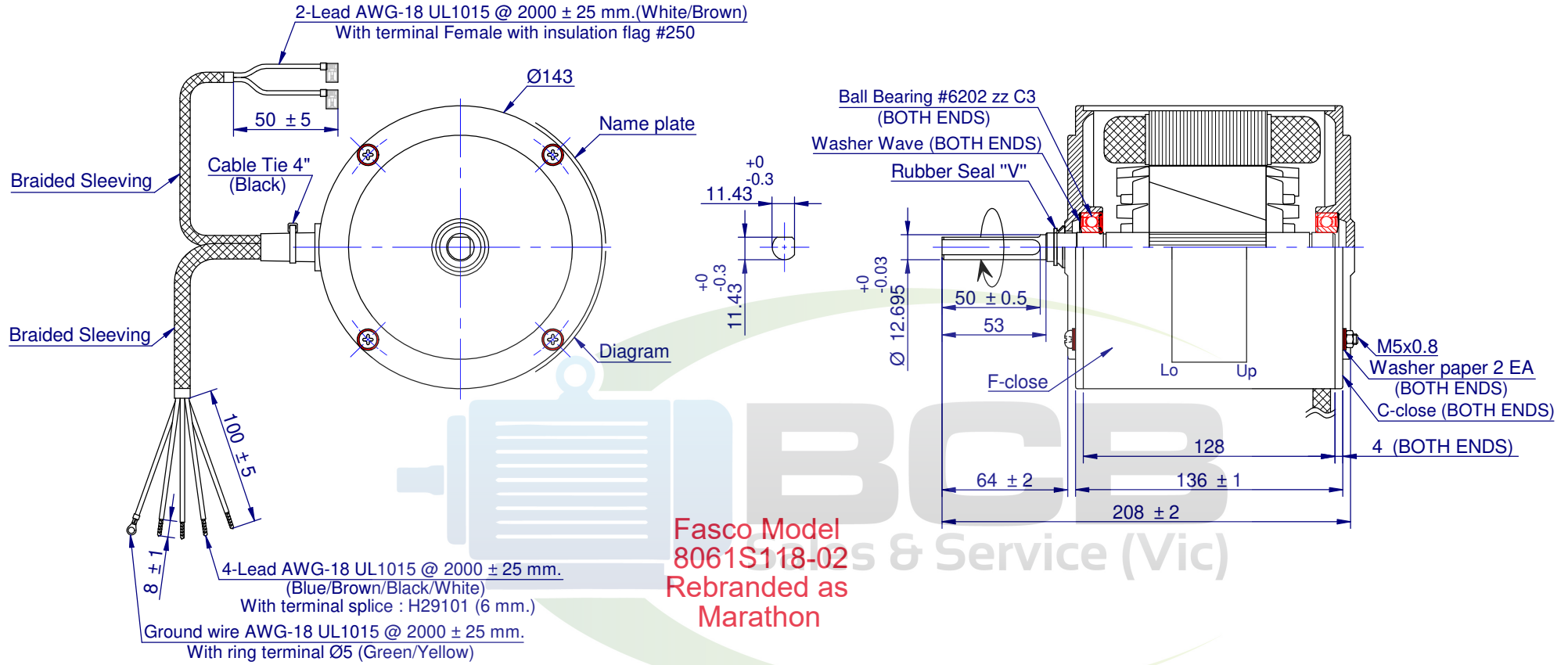


THIRD ANGLE PROJECTION



Fasco Model 8061S118-02 Rebranded as Marathon

DOC No. \_\_\_\_\_  
By: \_\_\_\_\_  
Date: \_\_\_\_\_  
DOC No. \_\_\_\_\_  
Note: \_\_\_\_\_

**MOTOR SPECIFICATION**

Q.R. NO.	QR230025	CUSTOMER PART NO.	8061S118-02S
MOTOR RATING	VOLTS	240	Hz 50 PH 1 DUTY A.O.M.
	RPM.	910/3SP	2.7 AMPS
	NOM. OUTPUT	300 WATTS	
ROTATION	CLOCK WISE AT DRIVE END		
CAPACITOR	START ---	μF/V RUN 6/440	μF/V
MOTOR TYPE	CSR	INSULATION CLASS B130	
THERMAL PROTECTION	AUTO RESET OVERLOAD		
DATA TEST NO.	W443-2864-SL	PAINT/ COLOUR GREY #5082	

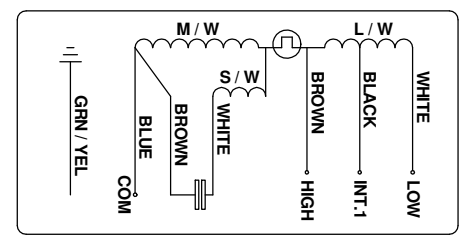
- SPECIAL REQUIREMENTS:**
- 1) After the motor is complete, applied rust proof oil at shaft end.
  - 2) The tensile strength of each lead wire at least 4 Kgs.
  - 3) The runout of the shaft end circumference 0.08 mm.
  - 4) Motor to be packed in single carton.

**marathon** Motors DESIGNED AND MANUFACTURED TO AUSTRALIAN STANDARDS & SPECIFICATIONS

MODEL	8M61S118-02S
	DDMMYYXXXX

VOLTS 240 R.P.M. 910/3SP CLASS B130 Hz 50  
 WATTS 300 TYPE CSR μF/V R 6/440 Ph 1  
 AMPS 2.7 DUTY AOM PROT. AUTO

**WARNING** MOTOR FITTED WITH INTERNAL AUTO RESET OVERLOAD AND MAY RESTART WITHOUT WARNING



UNLESS OTHERWISE SPECIFIED : DIMENSIONS ARE IN MM. TOLERANCES

DECIMALS	ANGULAR
X ± 1.0	± 30'
.XX ± 0.1	

MOTOR WEIGHT 8.20 kg.

DRAWN	THANATCHA	22/04/2023
CHECKED	EKAPHOP	22/04/2023
RELEASED	WEERAPAN	22/04/2023
SCALE	N.T.S.	

**BCB**  
Sales & Service (Vic)  
sales@bcbsales.com.au  
03 9546 3833

FRAME	MOTOR
STATUS	300W 6P 3SP 240V S/S CW DE
SHEET	FASCO MODEL 8061S118-02S
A3	DWG. NO. 8M61S118-02S
	REVISION A