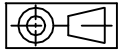


FASCO MOTORS MAY PROVIDE TECHNICAL ASSISTANCE TO OUR CUSTOMERS IN MANY AREAS. HOWEVER, SINCE FASCO MOTOR IS NOT AWARE OF ALL DATA CONCERNING THE USE AND APPLICATION OF THIS MOTOR, THE FITNESS OF THE MOTOR FOR THE APPLICATION MUST BE DETERMINED BY AND IS THE RESPONSIBILITY OF THE CUSTOMER.



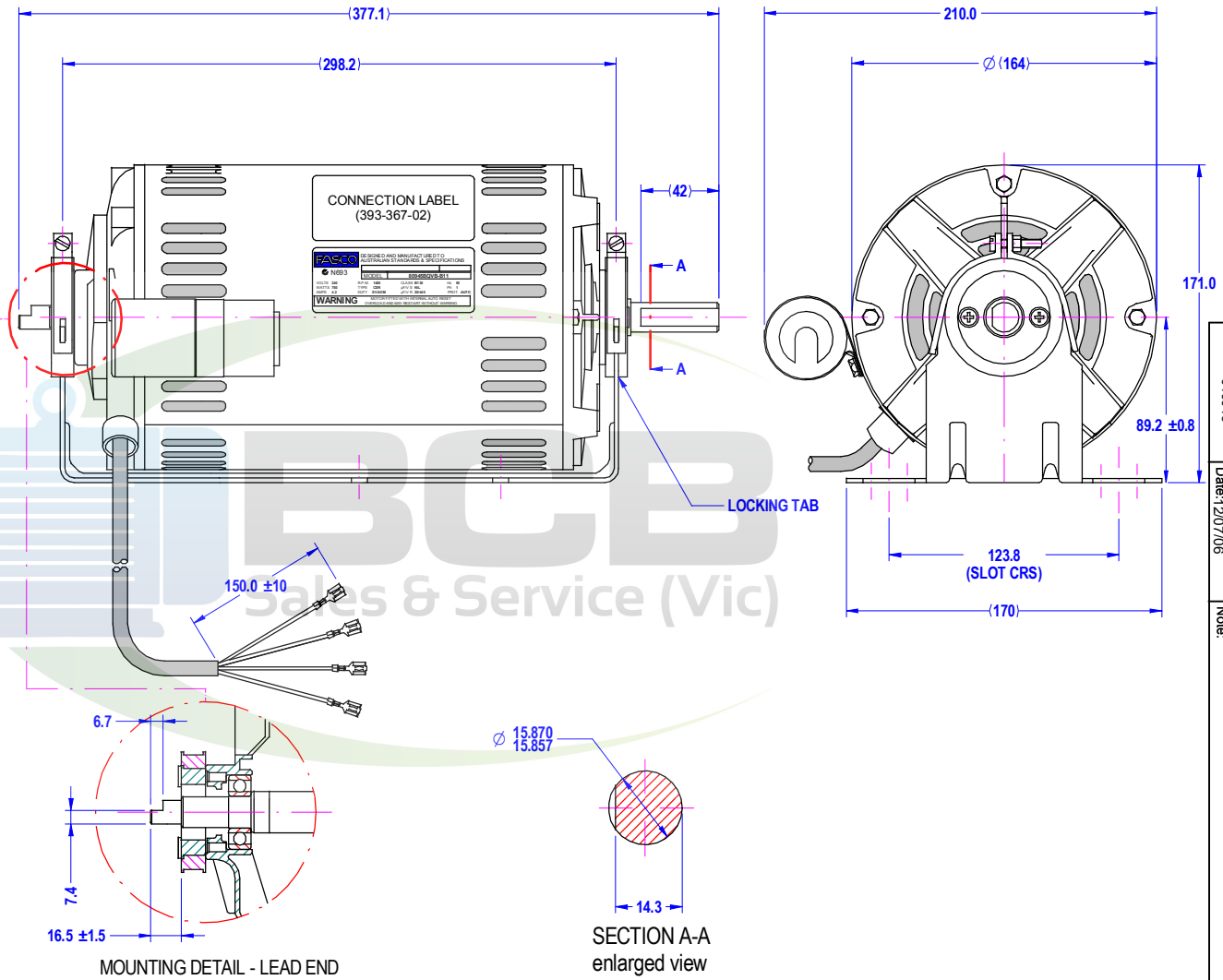
MOTOR SPECIFICATION

80945BQVB-B11S

Q.R. No.	-	CUSTOMER NO.	-
CUSTOMER	VARIOUS		
MOTOR RATING	VOLTS	240	Hz 50 Ph 1 Duty A.O.M
	RPM.	1400	4.2 AMPS
NOM. OUTPUT		750 WATTS	
ROTATION CLOCKWISE AT DRIVE END (REVERSIBLE)			
CAPACITOR	START	NIL	μF/V RUN 20/440 μF/V
ENCLOSURE DRIP PROOF			
MOTOR TYPE	CSR	INSULATION CLASS	B
THERMAL PROTECTION AUTO RESET OVERLOAD			
APPLICATION EVAPORATIVE COOLER			
BEARING D.E.	6204 ZZ	LUBRICATION	LONG LIFE, WIDE RANGE
BEARING N.D.E.	6203 ZZ		
SUPPLY LEAD FLEX 1500±30 GREY			
EARTH PROVISION VIA SUPPLY LEAD			
BASIC BUILD SPECIFICATION	470-063-02	PAINT/ COLOUR	PC GREYCASE PLAIN E/SHIELDS
PERFORMANCE SPECIFICATION	SP94001-01		
CONNECTION DIAGRAM	305-305-02	RATING LABEL	SSTDAUTO.FMT

FINAL INSPECTED MOTORS MUST COMPLY WITH ELECTRIC MOTOR VIBRATION SPECIFICATION (ES049)

THIRD ANGLE PROJECTION



DESIGNED AND MANUFACTURED TO AUSTRALIAN STANDARDS & SPECIFICATIONS

N693			
MODEL		80945BQVB-B11S	
VOLTS 240	R.P.M. 1400	CLASS B130	Hz 50
WATTS 750	TYPE CSR	μF/V S NIL	Ph 1
AMPS 4.2	DUTY S1/AOM	μF/V R 20/440	PROT. AUTO

WARNING MOTOR FITTED WITH INTERNAL AUTO RESET OVERLOAD AND MAY RESTART WITHOUT WARNING

- SPECIAL REQUIREMENTS:
- 1)_CAPACITOR FITTED TO MOTOR.
 - 2)_MOTOR TO BE PACKED IN SINGLE CARTON.

UNLESS OTHERWISE SPECIFIED : DIMENSIONS ARE IN MM. TOLERANCES

DECIMALS	ANGULAR
.X ± 1.0	± 30'
.XX ± 0.1	

THIS DRAWING REMAINS THE PROPERTY OF FASCO MOTORS AND MAY NOT BE USED, COPIED OR ISSUED WITHOUT WRITTEN PERMISSION FROM FASCO MOTORS

MOTOR WEIGHT	20.0 kg.	
DRAWN	MUNTANA	12/07/06
CHECKED	PIPAT	27/09/06
RELEASED	KANAPOTE	27/09/06
SCALE	N.T.S.	



29/7-8 MOO 3, BANGKRUAY - SAINOI Rd., BANGKRANG, MIANG NONGTHABURI DISTRICT, NONGTHABURI 11000 THAILAND

FRAME	MOTOR	
STATUS	R	
SHEET	DWG. NO. 80945BQVB-B11S	
A3	REVISION A	

MIC No. 010013
BY: MUNTANA
Date: 12/07/06
MIC - FIRST RELEASED