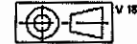


FASCO MOTORS MAY PROVIDE TECHNICAL ASSISTANCE TO OUR CUSTOMERS IN MANY AREAS; HOWEVER, SINCE FASCO MOTOR IS NOT AWARE OF ALL DATA CONCERNING THE USE AND APPLICATION OF THIS MOTOR, THE FITNESS OF THE MOTOR FOR THE APPLICATION MUST BE DETERMINED BY AND IS THE RESPONSIBILITY OF THE CUSTOMER.



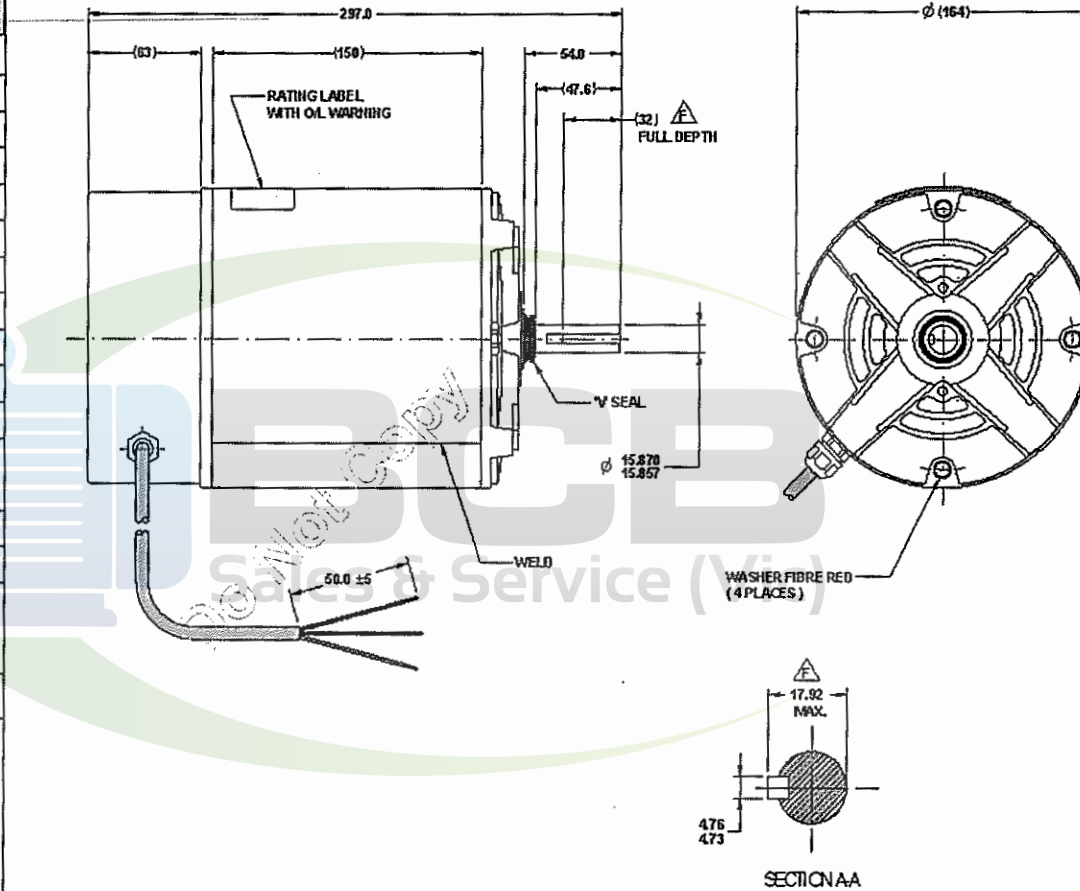
MOTOR SPECIFICATION

FINAL INSPECTED MOTORS MUST COMPLY WITH ELECTRIC MOTOR VIBRATION SPECIFICATION (ES049)

THIRD ANGLE PROJECTION

809456NTC-B11

Q.R.No.	7704	CUSTOMER NO.	-
CUSTOMER	VARIOUS		
MOTOR RATING	VOLTS	240	Hz 50 Ph 1 Duty S1 A.O.M.
	RPM.	930	2.65 AMPS
NOM. OUTPUT	370 WATTS		
ROTATION	CLOCKWISE AT DRIVE END		
CAPACITOR	START	—	μF/V RUN 10/440 μF/V
ENCLOSURE	TOTALLY ENCLOSED		
MOTOR TYPE	CSR	INSULATION CLASS	F
THERMAL PROTECTION	AUTO RESET OVERLOAD		
APPLICATION	FAN - SHAFT HORIZONTAL		
BEARING D.E.	6204 DDU	LUBRICATION	LONG LIFE, WIDE RANGE
BEARING N.D.E.	6203 DDU		
SUPPLY LEAD	FLEX @1000±30 GREY W/GLAND		
EARTH PROVISION	VIA SUPPLY LEAD		
BASIC BUILD SPECIFICATION	470-082-02	P.AINT/ COLOUR	BLUE (RAL-5009)
PERFORMANCE SPECIFICATION	SP94117-01		
CONNECTION DIAGRAM	305-435-08	RATING LABEL	SSTD AUTO.FMT



FASCO DESIGNED AND MANUFACTURED TO AUSTRALIAN STANDARDS & SPECIFICATIONS

N693 MODEL **809456NTC-B11**

VOLTS 240	R.P.M. 930	CLASS B130	Hz 50
WATTS 370	TYPE CSR	μF/V S1 NL	Ph 1
AMPS 2.65	DUTY S1 A.O.M.	μF/V R 10/440	PROT. AUTO

WARNING MOTOR FITTED WITH INTERNAL AUTO RESET OVERLOAD AND MAY RESTART WITHOUT WARNING

"TYPE B CHANGE. REFER MIC AND NOTIFY PRODUCT DEVELOPMENT WHEN BUILDING."

- SPECIAL REQUIREMENTS
- 1) FIBER WASHERS TO BE FITTED UNDER THE ROD HEADS ON D.E. E/S
 - 2) CAPACITOR COVER TO BE SEALED TO END SHIELD WITH THREE BOND LIQUID GASKET TYPE 1104 (PIN 180-0286)

UNLESS OTHERWISE SPECIFIED: DIMENSIONS ARE IN MM TOLERANCES	MOTOR WEIGHT	X
DECIMALS ± 0.1	DRAWN	SYDNEY
ANGULAR ± 30'	CHECKED	THEERASIT
SCALE	RELEASED	KANAPOTE 11/06/09

BCB SALES & SERVICE
 PH : 03 9546 3833
 FAX : 03 9546 3356

MOTOR
 B117.9456T-370-XAD

THIS DRAWING REMAINS THE PROPERTY OF BCB... NOT BE LOANED, REPRODUCED, COPIED, EITHER WHOLLY OR PARTIALLY, WITHOUT THE WRITTEN PERMISSION FROM BCB SALES & SERVICE	RELEASED	KANAPOTE	11/06/09	BANGKOK, MUBANG, NONG KHAI, NONG KHAI DISTRICT, NONG KHAI, NONG KHAI, NONG KHAI	DWG. NO.	809456NTC-B11	REVISION	F
--	----------	----------	----------	---	----------	---------------	----------	---

MIC No. 012213 BY THEPTEWAN/INDR 10/05/09 MID CHANGE DIMENSION THE KEY SIZE TO BE 38 AND INDR SHOW DETAIL