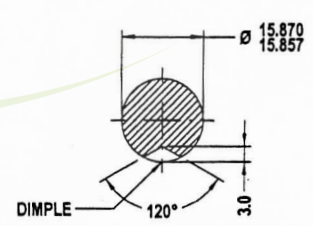
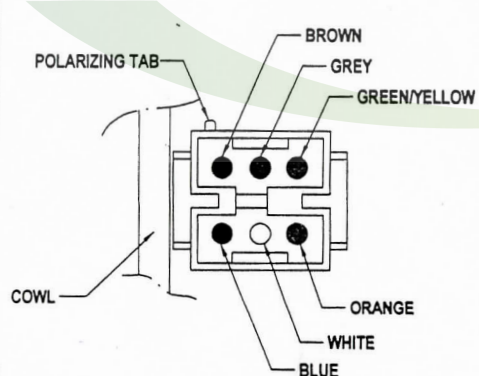
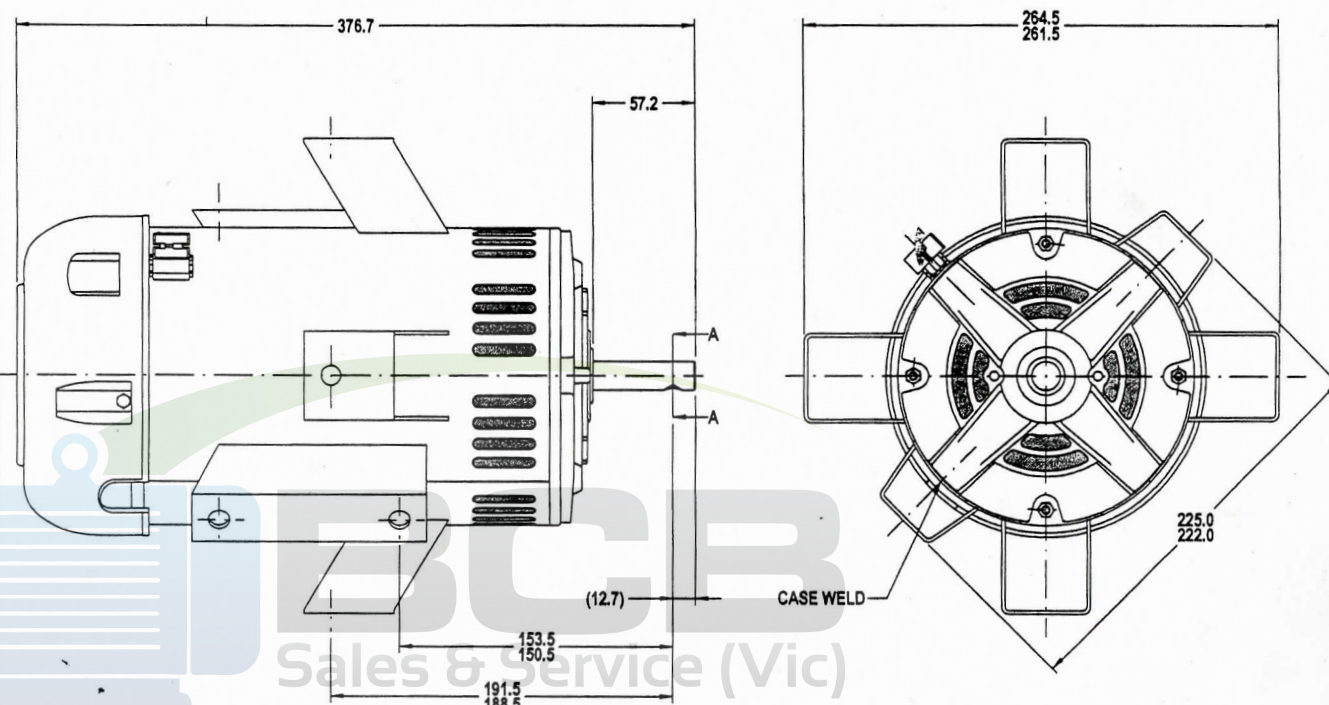


THIRD ANGLE PROJECTION

**MOTOR SPECIFICATION**

**809455SVB-B17**

Q.R. No.	Y001127	CUSTOMER NO.	2481393SP
CUSTOMER	SOUTHCORP		
MOTOR RATING	VOLTS	240	Hz 50 Ph 1 Duty S1 AOM
	RPM.	1400	3SP0 6.2 AMPS
NOM. OUTPUT	1500 WATTS		
ROTATION	CLOCK WISE AT DRIVE END		
CAPACITOR	START	NIL	μF/V RUN 25/440 μF/V
ENCLOSURE	VENTED		
MOTOR TYPE	CSR	INSULATION CLASS	B130
THERMAL PROTECTION	AUTO RESET OVERLOAD		
APPLICATION	EVAP.COOLER		
BEARING D.E.	6204 ZZ	LUBRICATION	LONG LIFE, WIDE RANGE
BEARING N.D.E.	6203 ZZ		
SUPPLY LEAD	-----		
EARTH PROVISION	VIA TERMINAL BOX		
BASIC BUILD SPECIFICATION	470-119-01	PAINT/ COLOUR	GREY
PERFORMANCE SPECIFICATION	SP94091-01		
CONNECTION DIAGRAM	393-402-07	RATING LABEL	SSTDAUTO.FMT



SECTION A-A

CONTROLLED COPY  
16 AUG 2001

MIC No. 004169  
By: NITHAD  
Date: 27/06/01  
MIC Model RELEASED AT FMTL

SPECIAL REQUIREMENTS:  
1) RATING LABELS TO BE SUPPLIED LOOSE WITH EACH MOTOR AS FOLLOWED.  
\*1200 W\* BY 809455SVB-B17. (DOTTED) : 5.8 A. 1420 RPM. 15/440 μF/V.  
\*1500 W\* BY 809455SVB-B17 (NOM) : 6.2 A. 1400 RPM. 25/440 μF/V.  
2) RATING LABEL DATA SUPPLIED BY CUSTOMER.

UNLESS OTHERWISE SPECIFIED : DIMENSIONS ARE IN MM. TOLERANCES		MATL& FINISH
DECIMALS	ANGULAR	DRAWN SYDNEY 23/01
X ± 1.0	± 30'	CHECKED KITTI 27/06/01
XX ± 0.5		RELEASED KITTI 27/06/01
THIS DRAWING REMAINS THE PROPERTY OF FASCO MOTORS AND MAY NOT BE USED, COPIED OR REVISED WITHOUT WRITTEN PERMISSION FROM FASCO MOTORS		SCALE

**BCB SALES & SERVICE**  
PH: 03 9546 3833  
FAX: 03 9546 3356

MOTOR  
091:9455V-1500-HAD:ILEC

297-8 MOO 3, BANGKRUAY - SAINOI Rd.,  
BANGKRANG, MUANG NONHABURI DISTRICT,  
NONHABURI 11000 THAILAND

SHEET	DWG. NO.	REVISION
A3	809455SVB-B17	D