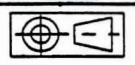


FASCO MOTORS MAY PROVIDE TECHNICAL ASSISTANCE TO OUR CUSTOMERS IN MANY AREAS. HOWEVER, SINCE FASCO MOTOR IS USED IN A WIDE VARIETY OF APPLICATIONS, THE USE AND APPLICATION OF THIS MOTOR, THE FITNESS OF THE MOTOR FOR THE APPLICATION MUST BE DETERMINED BY AND IS THE RESPONSIBILITY OF THE CUSTOMER.



THIRD ANGLE PROJECTION

**MOTOR SPECIFICATION**

**809455SVB-B14**

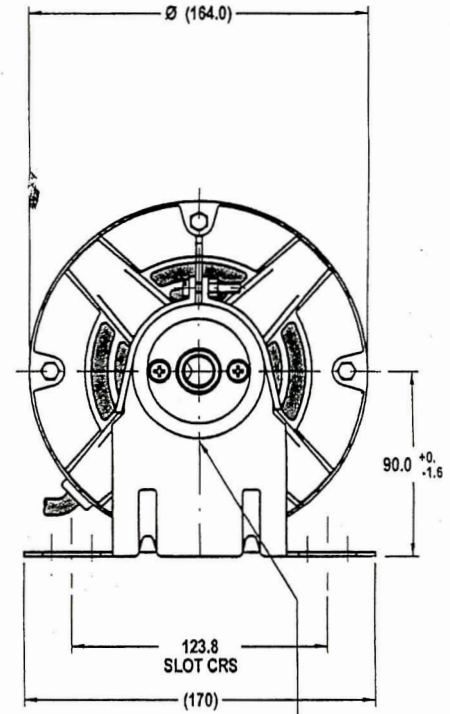
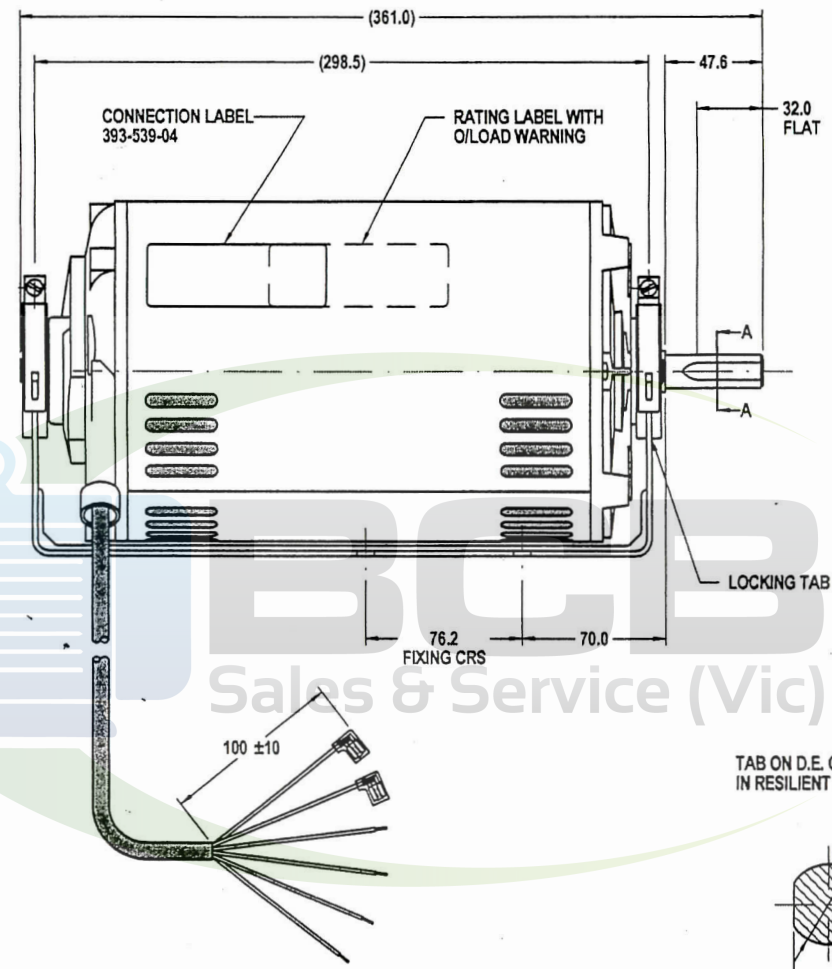
Q.R. No.	-	CUSTOMER NO.	-
CUSTOMER			
MOTOR RATING	VOLTS	240	Hz 50 Ph 1 Duty S1 AOM
	RPM.	1400	6.0 AMPS
	NOM. OUTPUT	1100 WATTS	
ROTATION	ANTI CLOCK WISE AT SHAFT END		
CAPACITOR	START	-----	μF/V RUN 30/400 μF/V
ENCLOSURE	DRIP PROOF		
MOTOR TYPE	CSR	INSULATION CLASS	B
THERMAL PROTECTION	AUTO RESET OVERLOAD		
APPLICATION	EVAP.COOLER		
BEARING D.E.	6204 ZZ	LUBRICATION	LONG LIFE, WIDE RANGE
BEARING N.D.E.	6203 ZZ		
SUPPLY LEAD	FLEX.@650±30 GREY		
EARTH PROVISION	VIA SUPPLY LEAD		
BASIC BUILD SPECIFICATION	470-063-01	PAINT/ COLOUR	GREY CASE PLAIN E/SHIELDS
PERFORMANCE SPECIFICATION	SP94004-01		
CONNECTION DIAGRAM	305-682-01	RATING LABEL	SSTD AUTO.FMT



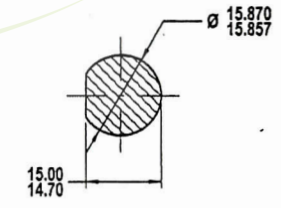
DESIGNED AND MANUFACTURED TO AUSTRALIAN STANDARDS & SPECIFICATIONS

N693			
MODEL	809455SVB-B14		
VOLTS 240	R.P.M. 1400	CLASS B130	Hz 50
WATTS 1120	TYPE CSR	μF/V S NIL	Ph 1
AMPS 6.0	DUTY S1 AOM	μF/V R 30/440	PROT. AUTO

**WARNING** MOTOR FITTED WITH INTERNAL AUTO RESET OVERLOAD AND MAY RESTART WITHOUT WARNING



TAB ON D.E. OF CRADLE TO ENGAUGE WITH SLOT IN RESILIENT MOUNTING RING



SECTION A-A enlarged view

CONTROLLED COPY

1 AUG 2001

MIC No. 003766  
By: NITTAJ  
Date: 26/03/01  
MIC ADD RATING LABEL ON DRAWING

- SPECIAL REQUIREMENTS:
- 1) CAPACITOR SUPPLIED LOOSE
  - 2) TIERODS TO BE STAINLESS STEEL
  - 3) MOTORS PACKED IN INDIVIDUAL CARTONS
  - 4) RATING LABEL DATA AS PER CUSTOMER REQUIREMENTS (REFER 305-731-00)

UNLESS OTHERWISE SPECIFIED : DIMENSIONS ARE IN MM. TOLERANCES

DECIMALS	ANGULAR
.X ± 1.0	± 30'
.XX ± 0.5	

THIS DRAWING REMAINS THE PROPERTY OF FASCO MOTORS AND MAY NOT BE USED, COPIED OR ISSUED WITHOUT WRITTEN PERMISSION FROM FASCO MOTORS

MATL & FINISH	
DRAWN	SYDNEY 26/02/97
CHECKED	KITTI 27/03/01
RELEASED	KITTI 27/03/01
SCALE	

**FASCO THAILAND**  
297-8 MOO 3, BANGKRUAY - SAINOI Rd.,  
BANGKRAK, MUANG NONTABURI DISTRICT,  
NONTABURI 11000 THAILAND

FRAME	MOTOR
STATUS	004:9455V-1100-KBD
SHEET	DWG. NO.
A3	809455SVB-B14
	REVISION
	F