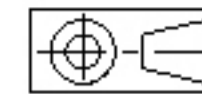


FASCO MOTORS MAY PROVIDE TECHNICAL ASSISTANCE TO OUR CUSTOMERS IN MANY AREAS. HOWEVER, SINCE FASCO MOTOR IS NOT AWARE OF ALL DATA CONCERNING THE USE AND APPLICATION OF THIS MOTOR, THE FITNESS OF THE MOTOR FOR THE APPLICATION MUST BE DETERMINED BY AND IS THE RESPONSIBILITY OF THE CUSTOMER.

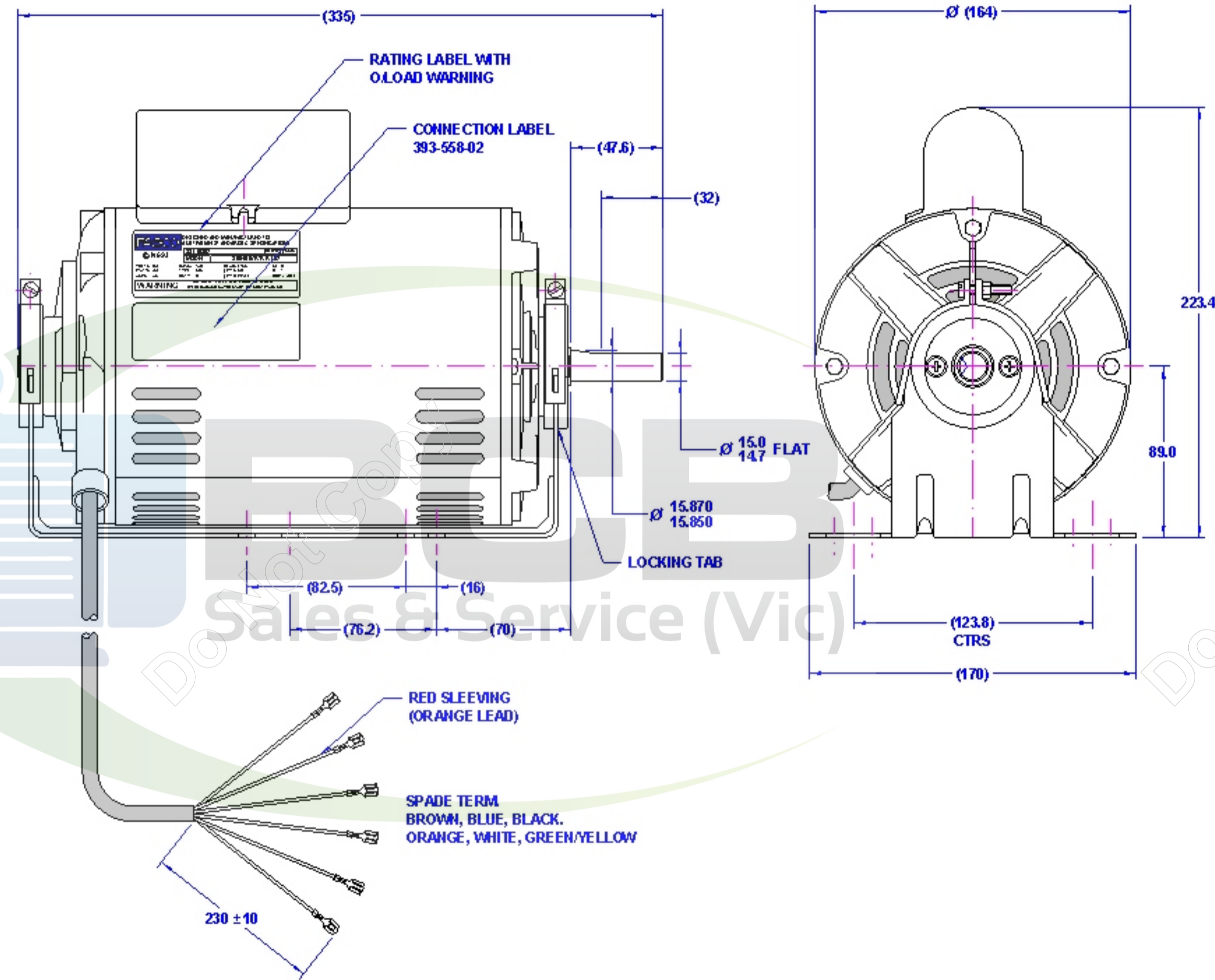


THIRD ANGLE PROJECTION

MOTOR SPECIFICATION

809455QVB-B13S

Q.R. No.	8300-1	CUSTOMER NO.	2311629S
CUSTOMER	SOUTHCORP		
MOTOR RATING	VOLTS	240	Hz 50 Ph 1 Duty S1
	RPM.	1400	4.6 AMPS
	NOM. OUTPUT	750 WATTS	
ROTATION	CLOCK WISE AT SHAFT END		
CAPACITOR	START	—	μF/V RUN 20/400 μF/V
ENCLOSURE	DRIP PROOF		
MOTOR TYPE	CSR	INSULATION CLASS	F155
THERMAL PROTECTION	AUTO RESET OVERLOAD		
APPLICATION	EVAP. COOLER		
BEARING D.E.	6204 ZZ	LUBRICATION	LONG LIFE, WIDE RANGE
BEARING N.D.E.	6203 ZZ		
SUPPLY LEAD	FLEX 1100±30 GREY		
EARTH PROVISION	VIA SUPPLY LEAD		
BASIC BUILD SPECIFICATION	470-053-07	PAINT/ COLOUR	GREY
PERFORMANCE SPECIFICATION	SP94131-01		
CONNECTION DIAGRAM	305-682-05	RATING LABEL	SSTDAUTO.FMT



MIC No. 009904  
 By: MUNTANA  
 Date: 31/05/06  
 Note: CHANGE DIMPLE FROM SHAFT TO BE FLAT

**FASCO** DESIGNED AND MANUFACTURED TO AUSTRALIAN STANDARDS & SPECIFICATIONS

N693 2311629S ddm my xxx

MODEL	809455QVB-B13S		
VOLTS	240	R.P.M.	1400
WATTS	750	TYPE	CSR
AMPS	4.6	DUTY	S1
		CLASS	F155
		μF/V	NIL
		μF/V R	20/400
		Hz	50
		Ph	1
		PROT.	AUTO

**WARNING** MOTOR FITTED WITH INTERNAL AUTO RESET OVERLOAD AND MAY RESTART WITHOUT WARNING

**SPECIAL REQUIREMENTS:**

- CRADLE TO BE 2.5 mm THICK MATERIAL
- ENSURE RED SLEEVING IS FITTED TO ORANGE LEAD
- MOTORS TO BE PACKED IN INDIVIDUAL CARTONS WITH RATING LABEL PUT ON BOTH CARTON AND MOTOR

UNLESS OTHERWISE SPECIFIED : DIMENSIONS ARE IN MM TOLERANCES

DECIMALS	ANGULAR
.X ± 1.0	± 30'
.XX ± 0.5	

MOTOR WEIGHT: X.X kg.

DRAWN	SYDNEY	25/11/98
CHECKED	PIPAT	31/05/06
RELEASED	JITWAT	05/06/06
SCALE	N.T.S.	

**FASCO THAILAND**

297-8 MOO3, BANGKRUAY - SAI NOI RD., BANGKRUANG MUANG MONT HABURI DISTRICT, MONT HABURI 11000 THAILAND

FRAME	MOTOR
STATUS	R
SHEET	DWG. NO. 809455QVB-B13S
REVISION	F