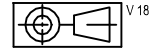


FASCO MOTORS MAY PROVIDE TECHNICAL ASSISTANCE TO OUR CUSTOMERS IN MANY AREAS. HOWEVER, SINCE FASCO MOTOR IS NOT AWARE OF ALL DATA CONCERNING THE USE AND APPLICATION OF THIS MOTOR, THE FITNESS OF THE MOTOR FOR THE APPLICATION MUST BE DETERMINED BY AND IS THE RESPONSIBILITY OF THE CUSTOMER.



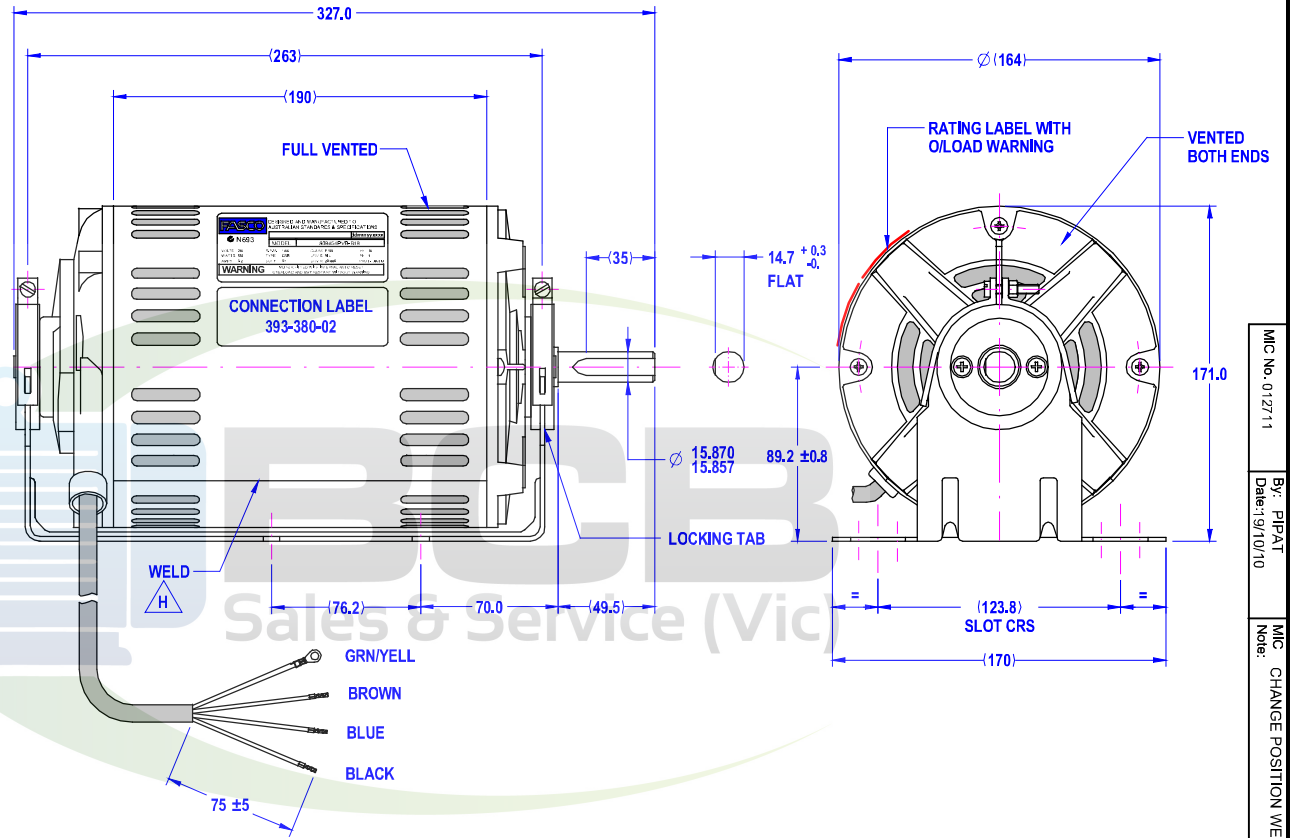
MOTOR SPECIFICATION

809454PVB-B19

Q.R. No.	-	CUSTOMER NO.	-
CUSTOMER	VARIOUS		
MOTOR RATING	VOLTS	240	Hz 50 Ph 1 Duty S1
	RPM.	1400	3.3 AMPS
NOM. OUTPUT	550 WATTS		
ROTATION	REVERSIBLE		
CAPACITOR	START	-----	μF/V RUN 20/440 μF/V
ENCLOSURE	FULLY VENTED		
MOTOR TYPE	CSR	INSULATION CLASS	F155
THERMAL PROTECTION	AUTO RESET OVERLOAD		
APPLICATION	EVAP.COOLER		
BEARING D.E.	6204 ZZ	LUBRICATION	LONG LIFE, WIDE RANGE
BEARING N.D.E.	6203 ZZ		
SUPPLY LEAD	FLEX 550±30 BOOTLACES & EYELET		
EARTH PROVISION	VIA SUPPLY LEAD		
BASIC BUILD SPECIFICATION	470-059-03	PAINT/ COLOUR	PC GREY PLAIN E/SHIELDS
PERFORMANCE SPECIFICATION	SP94017-01		
CONNECTION DIAGRAM	393-380-02	RATING LABEL	SSTDAUTO.FMT

FINAL INSPECTED MOTORS MUST COMPLY WITH ELECTRIC MOTOR VIBRATION SPECIFICATION (ES049)

THIRD ANGLE PROJECTION



FASCO DESIGNED AND MANUFACTURED TO AUSTRALIAN STANDARDS & SPECIFICATIONS

N693 MODEL 809454PVB-B19

VOLTS 240	R.P.M. 1400	CLASS F155	Hz 50
WATTS 550	TYPE CSR	μF/V S NIL	Ph 1
AMPS 3.3	DUTY S1	μF/V R 20/440	PROT. AUTO

WARNING MOTOR FITTED WITH INTERNAL AUTO RESET OVERLOAD AND MAY RESTART WITHOUT WARNING

SPECIAL REQUIREMENTS:

- 1) CAPACITOR TO BE SUPPLIED LOOSE
- 2) RATING LABEL TO BE PRINTED WITH OVERLOAD WARNING

UNLESS OTHERWISE SPECIFIED : DIMENSIONS ARE IN MM. TOLERANCES	MOTOR WEIGHT	14.3 kg.
DECIMALS .X ± 1.0 .XX ± 0.1	DRAWN	SYDNEY 27/09/97
ANGULAR ± 30°	CHECKED	PIPAT 19/10/10
THIS DRAWING REMAINS THE PROPERTY OF FASCO MOTORS AND MAY NOT BE USED, COPIED OR ISSUED WITHOUT WRITTEN PERMISSION FROM FASCO MOTORS	RELEASED	KANAPOTE 22/10/10
	SCALE	N.T.S.

FASCO THAILAND

29/7-8 MOO 3, BANGKRUAY - SAI NOI Rd., BANGKRANG, MUANG NONTABURI DISTRICT, NONTABURI 11 000 THAILAND

FRAME	MOTOR
STATUS	B017:9454V-550-KCD
R	DWG. NO.
SHEET	809454PVB-B19
A3	REVISION
	H

MIC No. 012711
 By: PIPAT
 Date: 9/10/10
 Note: CHANGE POSITION WELD