

FASCO MOTORS MAY PROVIDE TECHNICAL ASSISTANCE TO OUR CUSTOMERS IN MANY AREAS. HOWEVER, SINCE FASCO MOTOR IS NOT AWARE OF ALL DATA CONCERNING THE USE AND APPLICATION OF THIS MOTOR, THE FITNESS OF THE MOTOR FOR THE APPLICATION MUST BE DETERMINED BY AND IS THE RESPONSIBILITY OF THE CUSTOMER.



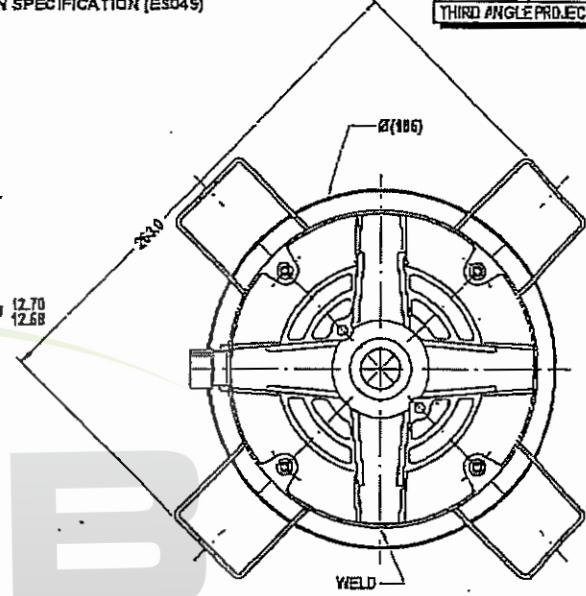
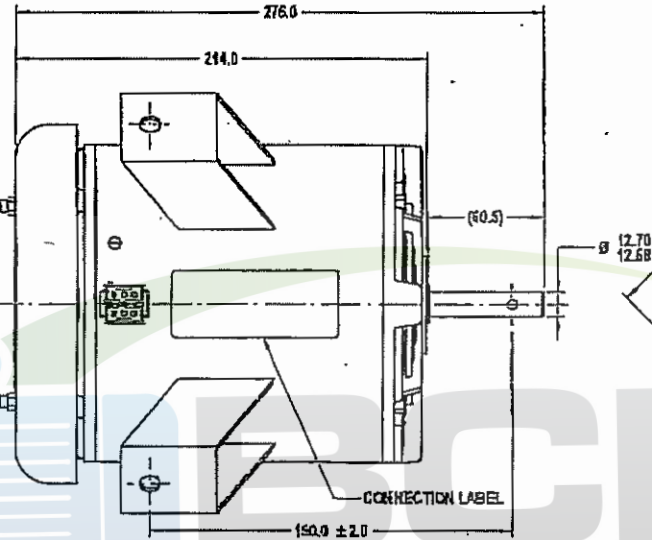
MOTOR SPECIFICATION

809454PVB-A16

Q.R. No.	7024	CUSTOMER NO.	6011603SP					
CUSTOMER	SOUTHCORP							
MOTOR RATING	VOLTS	240	Hz	50	Ph	1	Duty	AOM
	RPM.	1400		3.9		AMPS		
NOM. OUTPUT	600 WATTS							
ROTATION	CLOCK WISE AT SHAFT END							
CAPACITOR	START	—		µFV	RUN	20/400 µFV		
	ENCLOSURE							
MOTOR TYPE	CSR	INSULATION CLASS		B				
TERMAL PROTECTION	AUTO RESET OVERLOAD							
APPLICATION	EVAP. COOLER							
BEARING D.E.	6204 ZZ	LUBRICATION	LONG LIFE, WIDE RANGE					
BEARING N.D.E.	6203 ZZ							
SUPPLY LEAD	—							
EARTH PROVISION	VIA TERMINAL BOX							
BASIC BUILD SPECIFICATION	470-007-01	PAINT/ COLOUR	FLAME-RED RAL-3000					
PERFORMANCE SPECIFICATION	SP94055-01							
CONNECTION DIAGRAM	393-402-11	RATING LABEL	SEE 391-158-01					

FINAL INSPECTED MOTORS MUST COMPLY WITH ELECTRIC MOTOR VIBRATION SPECIFICATION (ES049)

THIRD ANGLE PROJECTION



RATING LABEL 600 W

FASCO DESIGNED AND MANUFACTURED TO AUSTRALIAN STANDARDS & SPECIFICATIONS

C N693

CUST. NO. 6011603SP

MODEL 809454PVB-A16

VOLTS 240	R.P.M. 1400	CLASS B30	Hz 50
WATTS 600	TYPE CSR	µFV 5 HIL	Ph 1
AMPS 2.50000	DUTY AOM	µFV R 10/400	PROT. AUTO

WARNING MOTOR FITTED WITH INTERNAL AUTO RESET OVERLOAD AND MAY RESTART WITHOUT WARNING

RATING LABEL 600 W

FASCO DESIGNED AND MANUFACTURED TO AUSTRALIAN STANDARDS & SPECIFICATIONS

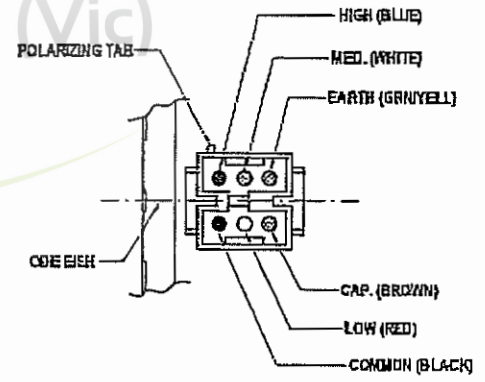
C N693

CUST. NO. 6001321

MODEL 809454PVB-A16

VOLTS 240	R.P.M. 1400	CLASS B30	Hz 50
WATTS 600	TYPE CSR	µFV 5 HIL	Ph 1
AMPS 2.50000	DUTY AOM	µFV R 10/400	PROT. AUTO

WARNING MOTOR FITTED WITH INTERNAL AUTO RESET OVERLOAD AND MAY RESTART WITHOUT WARNING



NOTE: RELATIVE POSITION OF POLARIZING TAB & ODE EISH MUST BE MAINTAINED

- SPECIAL REQUIREMENTS:** PTO
- LEADS TO BE TIED DOWN ON STATOR'S WINDING (AWAY FROM TIERCO) USING PLASTIC CABLETIE
 - CUSTOMERS PART No. 6011603SP TO BE PRINTED ON RATING LABEL AND ON PACKING CARTON.
 - SERVICE PACK 391-158-01 TO BE PACKED WITH EACH MOTOR IN CARTON.
 - PACKING IN SINGLE CARTON BUT DO NOT SEAL WITH TAPE
 - RATING LABEL DATA AS PER CUSTOMER REQUIREMENTS (REFER 305-731-09)
 - CUSTOMER SUPPLIED LEAD 381-984-01 TO FA

UNLESS OTHERWISE SPECIFIED: DIMENSIONS ARE IN MM. TOLERANCES

DECIMALS	ANGULAR
X ± 0.0	± 30'
XX ± 0.5	

DRAWN	SI
CHECKED	F
RELEASED	JITWAT
SCALE	H.T.S.

BCB SALES & SERVICE
 PH: 03 9546 3833
 FAX: 03 9546 3356

FRAME	MOTOR
STATUS	055:9454T-600-HAD:ILEC
R	
SHEET	DWG. NO.
A3	809454PVB-A16
	REVISED
	L

MIC No. 0100017 BY: MUNTANA Date: 13/08/00
 MIC CHANGE LEAD CONNECTION COLOUR OF TERMINALS HOUSING

"TYPE B CHANGE" REFER MIC AND NOTIFY PRODUCT DEVELOPMENT WHEN BUILDING.