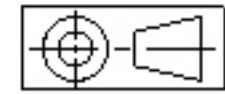


FASCO MOTORS MAY PROVIDE TECHNICAL ASSISTANCE TO OUR CUSTOMERS IN MANY AREAS. HOWEVER, SINCE FASCO MOTOR IS NOT AWARE OF ALL DATA CONCERNING THE USE AND APPLICATION OF THIS MOTOR, THE FITNESS OF THE MOTOR FOR THE APPLICATION MUST BE DETERMINED BY AND IS THE RESPONSIBILITY OF THE CUSTOMER.



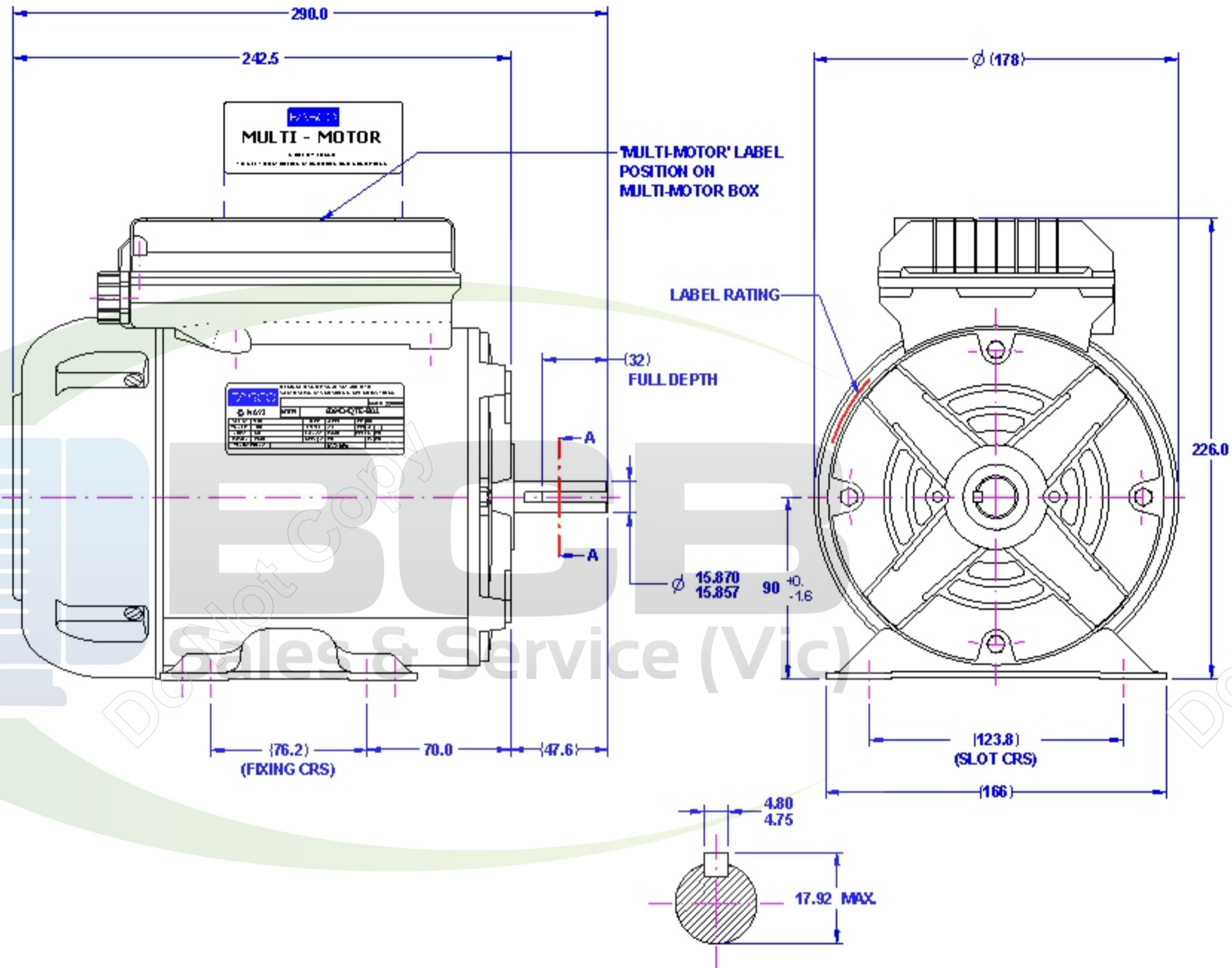
MOTOR SPECIFICATION

FINAL INSPECTED MOTORS MUST COMPLY WITH ELECTRIC MOTOR VIBRATION SPECIFICATION (ES049)

THIRD ANGLE PROJECTION

809434QTE-B01

Q.R. No.	7744	CUSTOMER NO.	-
CUSTOMER	VARIOUS		
MOTOR RATING	VOLTS	415	Hz 50 Ph 3 Duty S1
	RPM.	1410	1.8 AMPS
	NOM. OUTPUT	720 WATTS	
ROTATION	CLOCKWISE DRIVE END (PHASED ROTATION)		
CAPACITOR	START	NIL	RUN NIL
ENCLOSURE	T.E.F.C.		
MOTOR TYPE	3 PHASE	INSULATION CLASS	B130
THERMAL PROTECTION	NL		
APPLICATION	GENERAL PURPOSE		
BEARING D.E.	6204 ZZ	LUBRICATION	LONG LIFE, WIDE RANGE
BEARING N.D.E.	6203 ZZ		
SUPPLY LEAD	-		
EARTH PROVISION	VIA SUPPLY LEAD		
BASIC BUILD SPECIFICATION	470-067-05	P.AINT/ COLOUR	BLUE (RAL-5009)
PERFORMANCE SPECIFICATION	SP94105-01,02		
CONNECTION DIAGRAM	305-656-03	RATING LABEL	LABEL STD.FMT



"TYPE B CHANGE. REFER MIC AND NOTIFY PRODUCT DEVELOPMENT WHEN BUILDING."

DESIGNED AND MANUFACTURED TO AUSTRALIAN STANDARDS & SPECIFICATIONS

FASCO ddmmyyxxxx

N693 MODEL 809434QTE-B01

VOLTS	415	TYPE	3 PH	Hz	50
WATTS	720	DUTY	S1	PH	3
AMPS	1.8	CLASS	B130	PROT.	NIL
R.P.M.	1410	uF/V	S	R	NIL
WATTS IN MAX		MAX kPa			

87.0

SPECIAL REQUIREMENTS:

- 1)_ 'MULTI-MOTOR' LABEL 393-521-01 TO BE FITTED AS INDICATED, TO READ FROM LEAD END TO DRIVE END.
- 2)_ 'CONNECTION' LABEL 393-526-01 TO BE FITTED UNDER CAPACITOR BOX LID.

UNLESS OTHERWISE SPECIFIED : DIMENSIONS ARE IN MM TOLERANCES

DECIMALS	ANGULAR
.X ± 1.0	± 30'
.XX ± 0.5	

MOTOR WEIGHT X.X kg.

DRAWN	SYDNEY	14/02/96
CHECKED	PIPAT	27/08/09
RELEASED	PHROM	31/08/09

THIS DRAWING REMAINS THE PROPERTY OF FASCO MOTOR AND MAY NOT BE USED OR REPRODUCED WITHOUT WRITTEN PERMISSION FROM FASCO MOTORS

FASCO THAILAND

297-8 MOO3, BANGKRUAY - SAI NOI RD., BANGKRAK, MUANG NONG HAPU R DISTRICT, NONG HAPU R 11000 THAILAND

FRAME	MOTOR
STATUS	B 105:9434T-750-AAH
SHEET	DWG. NO. 809434QTE-B01
A3	REVISION G

MIC No. 012355 By: THEPTIWAN Date: 27/08/09 MIC REVISE DATA TEST.