

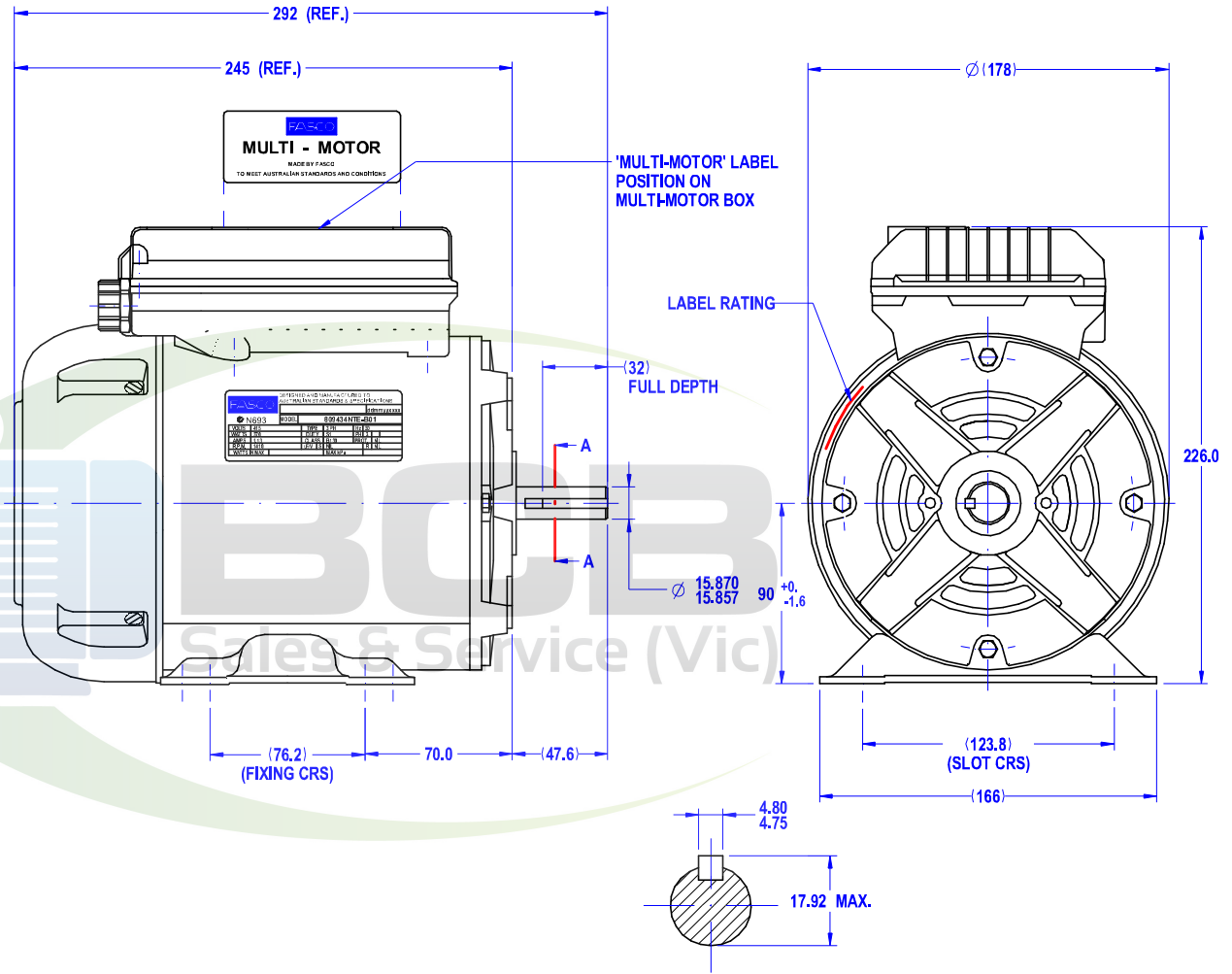
**MOTOR SPECIFICATION**

FINAL INSPECTED MOTORS MUST COMPLY WITH ELECTRIC MOTOR VIBRATION SPECIFICATION (ES049)

THIRD ANGLE PROJECTION

**809434NTE-B01**

Q.R. No.	7757	CUSTOMER NO.	-
CUSTOMER	VARIOUS		
MOTOR RATING	VOLTS	415	Hz 50 Ph 3 Duty S1
	MAX. INPUT	1410	1.13 AMPS
	NOM. OUTPUT	370 WATTS	
ROTATION	CLOCKWISE AT DRIVE END		
CAPACITOR	START	NIL	μF/V RUN NIL μF/V
ENCLOSURE	T.E.F.C.		
MOTOR TYPE	3 PHASE	INSULATION CLASS	B130
THERMAL PROTECTION	NIL		
APPLICATION	GENERAL PURPOSE		
BEARING D.E.	6204 ZZ	LUBRICATION	LONG LIFE, WIDE RANGE
BEARING N.D.E.	6203 ZZ		
SUPPLY LEAD	-----		
EARTH PROVISION	VIA SUPPLY LEAD		
BASIC BUILD SPECIFICATION	470-067-07	PAINT/ COLOUR	BLUE (RAL-5009)
PERFORMANCE SPECIFICATION	SP94014-02,03		
CONNECTION DIAGRAM	305-656-03	RATING LABEL	LABELSTD.FMT



DESIGNED AND MANUFACTURED TO AUSTRALIAN STANDARDS & SPECIFICATIONS

**FASCO**

MODEL: **809434NTE-B01**

VOLTS	415	TYPE	3 PH	Hz	50
WATTS	370	DUTY	S1	PH	3
AMPS	1.13	CLASS	B130	PROT.	NIL
R.P.M.	1410	uF/V	S	R	NIL
WATTS IN MAX		MAX kPa			

87.0

SPECIAL REQUIREMENTS:

- 1)\_'MULTI-MOTOR' LABEL 393-521-01 TO BE FITTED AS INDICATED, TO READ FROM LEAD END TO DRIVE END.
- 2)\_'CONNECTION' LABEL 393-526-01 TO BE FITTED UNDER CAPACITOR BOX LID.

UNLESS OTHERWISE SPECIFIED : DIMENSIONS ARE IN MM. TOLERANCES	MOTOR WEIGHT	X.X	kg.
DECIMALS .X ± 1.0	DRAWN	Muntana	10/06/2015
ANGULAR .XX ± 0.1	CHECKED	Pipat	10/06/2015
	RELEASED	Sutthipant	10/06/2015
	SCALE	N.T.S.	

**FASCO THAILAND**

297-8 MOO 3, BANGKRUAJAY - SAINOI Rd., BANGKRANG, MUANG NONGTHABURI DISTRICT, NONGTHABURI 11000 THAILAND

FRAME	MOTOR
STATUS	B014:9434T-370-AAH
SHEET	DWG. NO.
A3	809434NTE-B01
	REVISION
	I

MIC1412700  
By: Muntana  
Date: 1/06/2015  
MIC: Loancal process with Silicone Sealant L6301 (Black)  
Note: around CAP BOX Lid