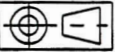


FASCO MOTORS MAY PROVIDE TECHNICAL ASSISTANCE TO OUR CUSTOMERS IN MANY AREAS. HOWEVER, SINCE FASCO MOTOR IS NOT AWARE OF ALL DATA CONCERNING THE USE AND APPLICATION OF THIS MOTOR, THE FITNESS OF THE MOTOR FOR THE APPLICATION MUST BE DETERMINED BY AND IS THE RESPONSIBILITY OF THE CUSTOMER.

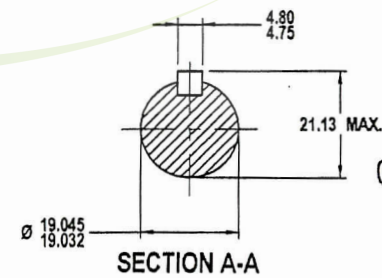
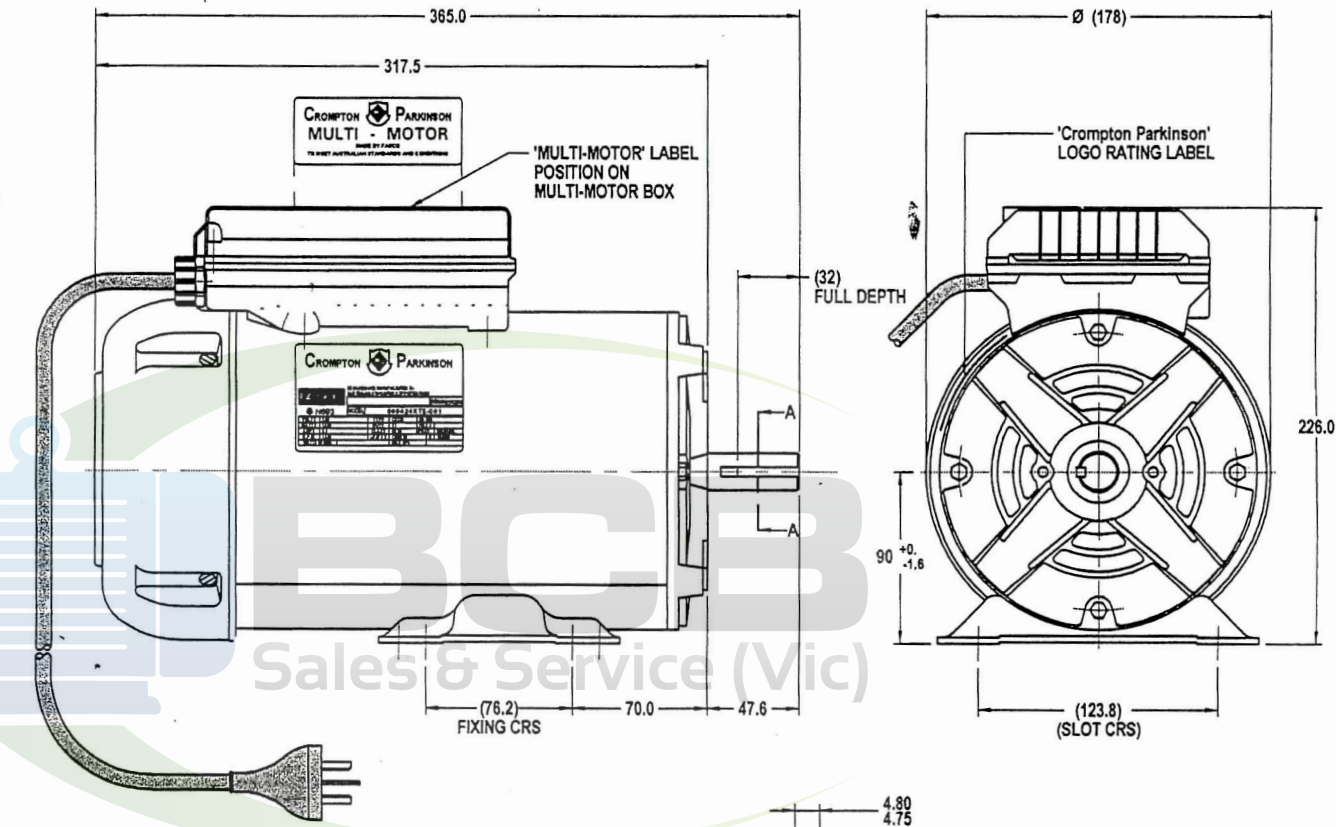


THIRD ANGLE PROJECTION

MOTOR SPECIFICATION

809424XTE-C01

Q.R. No.	7677	CUSTOMER NO.	-
CUSTOMER	VARIOUS		
MOTOR RATING	VOLTS	240	Hz 50 Ph 1 Duty S1
	RPM.	1440	8.6 AMPS
	NOM. OUTPUT	1500 WATTS	
ROTATION	CLOCK WISE AT SHAFT END		
CAPACITOR	START	120/230	μF/V RUN 30/400 μF/V
ENCLOSURE	T.E.F.C.		
MOTOR TYPE	CSCR	INSULATION CLASS	F 155
THERMAL PROTECTION	MANUAL OVERLOAD		
APPLICATION	GENERAL PURPOSE		
BEARING D.E.	6204 ZZ	LUBRICATION	LONG LIFE, WIDE RANGE
BEARING N.D.E.	6203 ZZ		
SUPPLY LEAD	FLEX 10A PLUG 2050±30 GREY		
EARTH PROVISION	VIA SUPPLY LEAD		
BASIC BUILD SPECIFICATION	470-068-01	PAINT/ COLOUR	STD.BLUE
PERFORMANCE SPECIFICATION	SP94099-01		
CONNECTION DIAGRAM	305-656-01	RATING LABEL	TCPLABEL.FMT



CONTROLLED COPY
AUG 2001

CROMPTON PARKINSON

DESIGNED AND MANUFACTURED TO AUSTRALIAN STANDARDS & SPECIFICATIONS

FASCO

MODEL: 809424XTE-C01

VOLTS	240	TYPE	CSCR	Hz	50
WATTS	1500	DUTY	S1	PH	1
AMPS	8.6	CLASS	F155	PROT.	MANUAL
R.P.M.	1440	μF/V	S 120/230	R	30/400
WATTS IN MAX		MAX kPa			

55.0

87.0

SPECIAL REQUIREMENTS:

- 1)_'MULTI-MOTOR' LABEL 393-521-01 TO BE FITTED AS INDICATED, TO READ FROM LEAD END TO DRIVE END.
- 2)_'REVERSING' LABEL 393-468-02 TO BE FITTED UNDER CAPACITOR BOX LID.

UNLESS OTHERWISE SPECIFIED : DIMENSIONS ARE IN MM. TOLERANCES

DECIMALS	ANGULAR
.X ± 1.0	± 30'
.XX ± 0.5	

THIS DRAWING REMAINS THE PROPERTY OF FASCO MOTORS AND MAY NOT BE USED, COPIED OR ISSUED WITHOUT WRITTEN PERMISSION FROM FASCO MOTORS

MOTOR WEIGHT 1

BCB SALES & SERVICE

PH: 03 9546 3833
FAX: 03 9546 3356

DRAWN	NITHA
CHECKED	PIPA
RELEASED	PIPAT
SCALE	N.T.S.

NONHABURI 11000 THAILAND

FRAME	MOTOR
STATUS	099:9424T-1500-AAD
SHEET	DWG. NO. 809424XTE-C01
A3	REVISION B

MIC No. 004212
By: NITHAD
Date: 24/07/01
MIC INSERT MOTOR WEIGHT 19.9 KG. INTO MASTER
Note: TEMPLATES