

FASCO MOTORS MAY PROVIDE TECHNICAL ASSISTANCE TO OUR CUSTOMERS IN MANY AREAS. HOWEVER, SINCE FASCO MOTOR IS NOT AWARE OF ALL DATA CONCERNING THE USE AND APPLICATION OF THIS MOTOR, THE FITNESS OF THE MOTOR FOR THE APPLICATION MUST BE DETERMINED BY AND IS THE RESPONSIBILITY OF THE CUSTOMER.

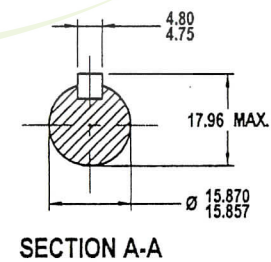
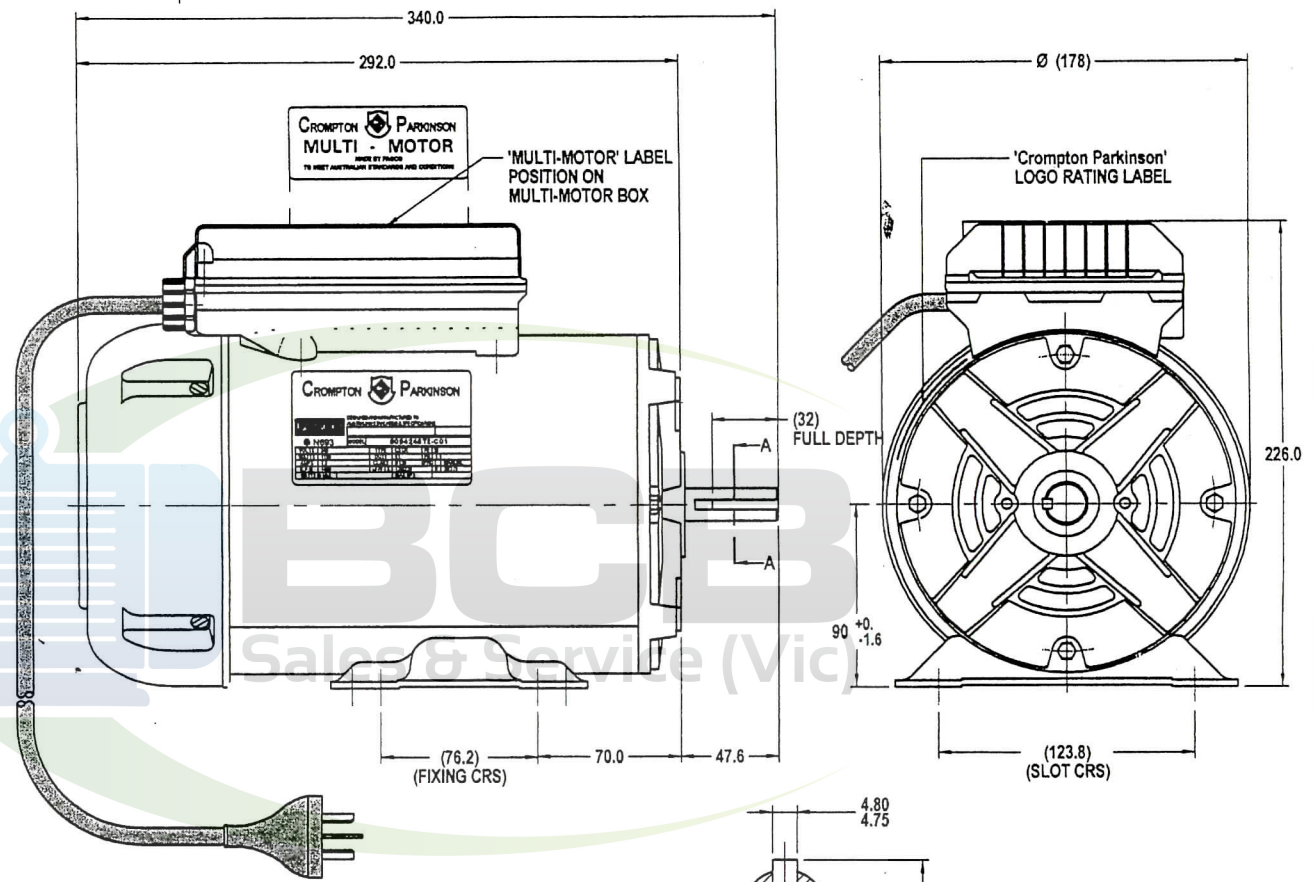


THIRD ANGLE PROJECTION

MOTOR SPECIFICATION

809424STE-C01

Q.R. No.	7675	CUSTOMER NO.	-
CUSTOMER	VARIOUS		
MOTOR RATING	VOLTS	240	Hz 50 Ph 1 Duty S1
	RPM.	1440	7.0 AMPS
	NOM. OUTPUT	1100 WATTS	
ROTATION	CLOCK WISE AT SHAFT END		
CAPACITOR	START	120/230 μ F/V	RUN 30/370 μ F/V
ENCLOSURE	T.E.F.C.		
MOTOR TYPE	CSCR	INSULATION CLASS	B
THERMAL PROTECTION	MANUAL OVERLOAD		
APPLICATION	GENERAL PURPOSE		
BEARING D.E.	6204 ZZ	LUBRICATION	LONG LIFE, WIDE RANGE
BEARING N.D.E.	6203 ZZ		
SUPPLY LEAD	FLEX 10A PLUG 2050 \pm 30 GREY W/GLAND NUT		
EARTH PROVISION	VIA SUPPLY LEAD		
BASIC BUILD SPECIFICATION	470-067-04	PAINT/ COLOUR	STD.BLUE
PERFORMANCE SPECIFICATION	SP94104-01,02		
CONNECTION DIAGRAM	305-656-01	RATING LABEL	TCPLABEL.FMT



CONTROLLED COPY

1 AUG 2001

MIC No: 004212
 By: NITHAD
 Date: 29/07/01
 MIC INSERT MOTOR WEIGHT 16.7 KG. INTO MASTER
 Note: TEMPLATES



DESIGNED AND MANUFACTURED TO AUSTRALIAN STANDARDS & SPECIFICATIONS

FASCO

C N693 MODEL 809424STE-C01

VOLTS	240	TYPE	CSCR	Hz	50
WATTS	1100	DUTY	S1	PH	1
AMPS	7.0	CLASS	B130	PROT.	MANUAL
R.P.M.	1440	μ F/V	120/230	R	30/370
WATTS IN MAX		MAX kPa			

SPECIAL REQUIREMENTS:

- 'MULTI-MOTOR' LABEL 393-521-01 TO BE FITTED AS INDICATED, TO READ FROM LEAD END TO DRIVE END.
- 'REVERSING' LABEL 393-468-02 TO BE FITTED UNDER CAPACITOR BOX LID.

UNLESS OTHERWISE SPECIFIED : DIMENSIONS ARE IN MM. TOLERANCES

DECIMALS	ANGULAR
.X \pm 1.0	\pm 30'
.XX \pm 0.5	

MOTOR WEIGHT 16.7

DRAWN	NITHAD	21
CHECKED	PIPAT	26/07/01
RELEASED	PIPAT	26/07/01
SCALE	N.T.S.	

THIS DRAWING REMAINS THE PROPERTY OF FASCO MOTORS AND MAY NOT BE USED, COPIED OR ISSUED WITHOUT WRITTEN PERMISSION FROM FASCO MOTORS

BCB SALES & SERVICE
 PH : 03 9546 3833
 FAX : 03 9546 3356

297-8 MOO 3, BANGKRUAY - SAINOI Rd.,
 BANGKRANG, MUANG NONGTHABURI DISTRICT,
 NONGTHABURI 11000 THAILAND

MOTOR		104:9424T-1100-AAD	
SHEET	DWG. NO.	REVISION	
A3	809424STE-C01	B	