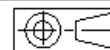


FASCO MOTORS MAY PROVIDE TECHNICAL ASSISTANCE TO OUR CUSTOMERS IN MANY AREAS. HOWEVER, SINCE FASCO MOTOR IS NOT AWARE OF ALL DATA CONCERNING THE USE AND APPLICATION OF THIS MOTOR, THE FITNESS OF THE MOTOR FOR THE APPLICATION MUST BE DETERMINED BY AND IS THE RESPONSIBILITY OF THE CUSTOMER.



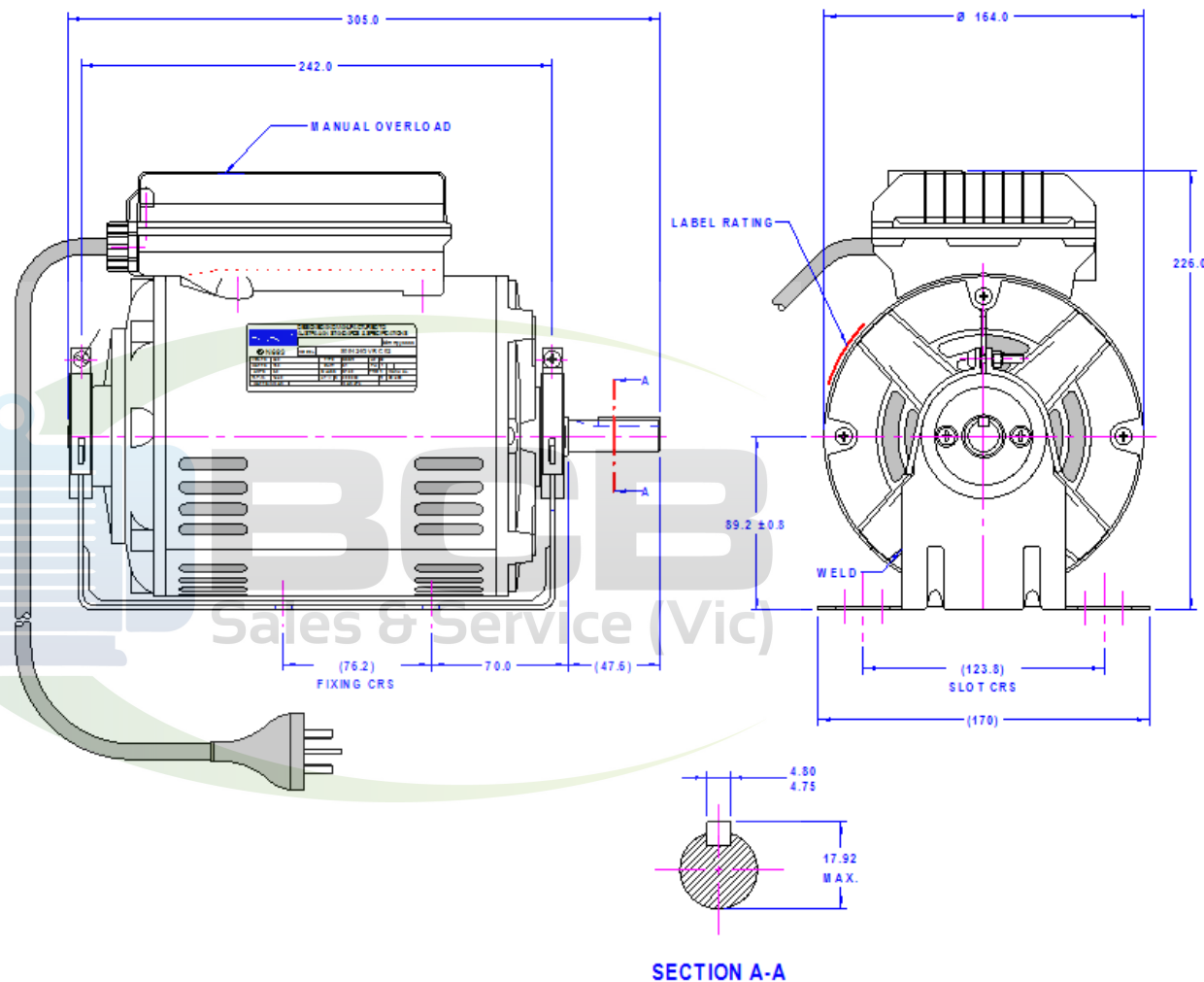
### MOTOR SPECIFICATION

## 809424QVB-C02

Q.R. No.	Y002692	CUSTOMER NO.	-					
CUSTOMER	VARIOUS (FA)							
MOTOR RATING	VOLTS	240	Hz	50	Ph	1	Duty	S1
	RPM.	1440		6.0		AMPS		
NOM. OUTPUT	750 WATTS							
ROTATION	CLOCKWISE AT DRIVE END							
CAPACITOR	START	200/250	µF/V	RUN	20/400	µF/V		
ENCLOSURE	VENTED							
MOTOR TYPE	CSCR	INSULATION CLASS	B					
THERMAL PROTECTION	MANUAL OVERLOAD							
APPLICATION	GENERAL PURPOSE - SHAFT HORIZONTAL							
BEARING D.E.	6204 ZZ	LUBRICATION	LONG LIFE, WIDE RANGE					
BEARING N.D.E.	6203 ZZ							
SUPPLY LEAD	FLEX 3 PIN PLUG 2100±30 GREY							
EARTH PROVISION	VIA SUPPLY LEAD							
BASIC BUILD SPECIFICATION	470-076-02	PAINT/ COLOUR	PC GREY CASE PLAIN E/SHIELD					
PERFORMANCE SPECIFICATION	SP94143-01							
CONNECTION DIAGRAM	305-656-01	RATING LABEL	LABELSTD.FMT					

FINAL INSPECTED MOTORS MUST COMPLY WITH ELECTRIC MOTOR VIBRATION SPECIFICATION (ES049)

THIRD ANGLE PROJECTION



DESIGNED AND MANUFACTURED TO AUSTRALIAN STANDARDS & SPECIFICATIONS

**FASCO** N693 MODEL 809424QVB-C02

VOLTS	240	TYPE	CSCR	Hz	50
WATTS	750	DUTY	S1	PH	1
AMPS	6.0	CLASS	B130	PROT.	MANUAL
R.P.M.	1440	uF/V	S 200/250	R	20/400
WATTS IN MAX		MAX kPa			

SPECIAL REQUIREMENTS:  
1)\_REVERSING LABEL 393-468-02 TO BE FITTED UNDER CAPACITOR BOX LID

UNLESS OTHERWISE SPECIFIED : DIMENSIONS ARE IN MM. TOLERANCES

DECIMALS	ANGULAR
X ± 1.0	± 30°
XX ± 0.5	

THIS DRAWING REMAINS THE PROPERTY OF FASCO MOTORS AND MAY NOT BE USED, COPIED OR ISSUED WITHOUT WRITTEN PERMISSION FROM FASCO MOTORS

MOTOR WEIGHT	13.5 kg.	
DRAWN	NITHAD	29/08/05
CHECKED	PIPAT	09/09/05
RELEASED	JITW AT	10/09/05
S SCALE	N.T.S.	



2917-8 1100 S, BANGKRUAY - BAINOI Rd., BANG KRANG, MUANG NO NT HABURI DISTRICT, NO NT HABURI 11000 THAILAND

FRAME	MOTOR	
STATUS	R	
SHEET	A3	
DWG. NO.	809424QVB-C02	
REVISION	A	

MIC No. 009399

BY: NITHAD

MIC NEW MODEL RELEASED