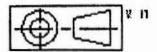


FASCO MOTORS MAY PROVIDE TECHNICAL ASSISTANCE TO OUR CUSTOMERS IN MANY AREAS. HOWEVER, SINCE FASCO MOTOR IS NOT AWARE OF ALL DATA CONCERNING THE USE AND APPLICATION OF THIS MOTOR, THE FITNESS OF THE MOTOR FOR THE APPLICATION MUST BE DETERMINED BY AND IS THE RESPONSIBILITY OF THE CUSTOMER.



**MOTOR SPECIFICATION**

**FINAL INSPECTED MOTORS MUST COMPLY WITH ELECTRIC MOTOR VIBRATION SPECIFICATION (ES049)**

**THIRD ANGLE PROJECTION**

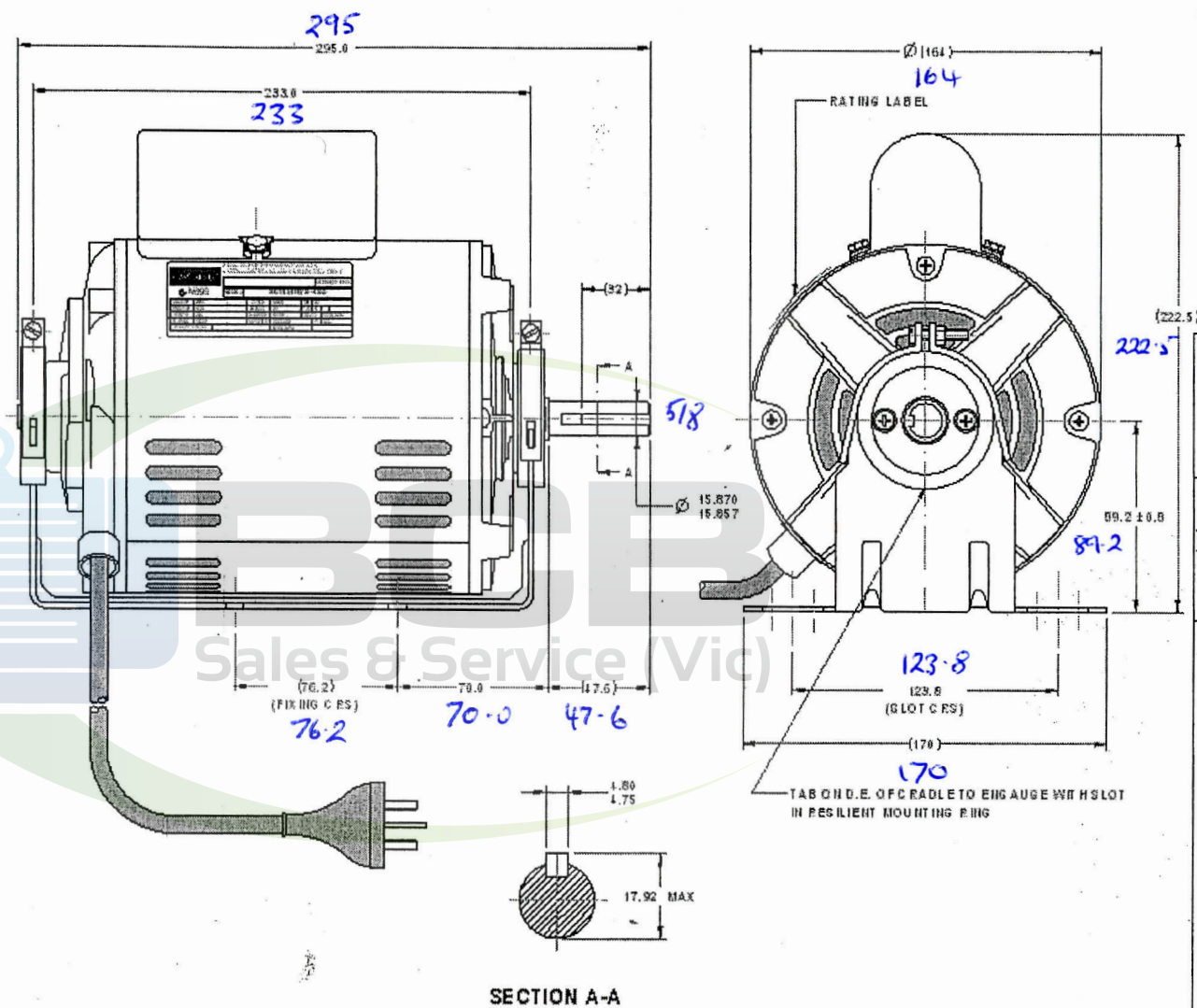
**809414NVB-C02**

C. R. No.	Y002923		CUSTOMER NO.			
CUSTOMER	FASCO AUSTRALIA					
MOTOR RATING	VOLTS	240	Hz	50	Ph	1 Duty S1
	RPM	1450		3.6 AMPS		
	NOM. OUTPUT	370 WATTS				
ROTATION	CLOCKWISE AT DRIVE END(REVERSIBLE)					
CAPACITOR	START	200/250	µF/V	RUN	NIL µF/V	
ENCLOSURE	DRIP PROOF					
MOTOR TYPE	CSIR	INSULATION CLASS		B		
THERMAL PROTECTION	MANUAL OVERLOAD					
APPLICATION	GENERAL PURPOSE - SHAFT HORIZONTAL					
BEARING D.E.	6204 ZZ		LUBRICATION	LONG LIFE, WIDE RANGE		
BEARING N.D.E.	6203 ZZ					
SUPPLY LEAD	FLEX 3 PIN PLUG 2100 ± 30					
EARTH PROVISION	VIA SUPPLY LEAD					
BASIC BUILD SPECIFICATION	470-076-01	PAINT/ COLOUR	PC GREY CASE PLAIN ESHIELDS			
PERFORMANCE SPECIFICATION	SP94141-01					
CONNECTION DIAGRAM	305-435-04	RATING LABEL	LABELSTD.FMT			



DESIGNED AND MANUFACTURED TO AUSTRALIAN STANDARDS & SPECIFICATIONS

MODEL		809414NVB-C02			
VOLTS	240	TYPE	CSIR	Hz	50
WATTS	370	DUTY	S1	PH	1
AMPS	3.6	CLASS	B130	PROT.	MANUAL
R.P.M.	1450	µF/V	200/250	R	NIL
WATTS MAX		MAX kPa			



SPECIAL REQUIREMENTS:

UNLESS OTHERWISE SPECIFIED DIMENSIONS ARE IN MM. TOLERANCES: DECIMALS ANGULAR .X ± 1.0 ± 30' .XX ± 0.1

**BCB SALES & SERVICE**  
**PH : 03 9546 3833**  
**FAX : 03 9546 3356**

FRAME	MOTOR	
STATUS	B 141:9414V-370-GBD	
R		
SHEET	DWG. NO.	REVISED
A3	809414NVB-C02	A

FILE NO. 0096/51  
 BY: NITHAD  
 DATE: 27/10/06  
 FILE: NEW MODEL RELEASED