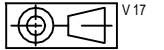


FASCO MOTORS MAY PROVIDE TECHNICAL ASSISTANCE TO OUR CUSTOMERS IN MANY AREAS. HOWEVER, SINCE FASCO MOTOR IS NOT AWARE OF ALL DATA CONCERNING THE USE AND APPLICATION OF THIS MOTOR, THE FITNESS OF THE MOTOR FOR THE APPLICATION MUST BE DETERMINED BY AND IS THE RESPONSIBILITY OF THE CUSTOMER.



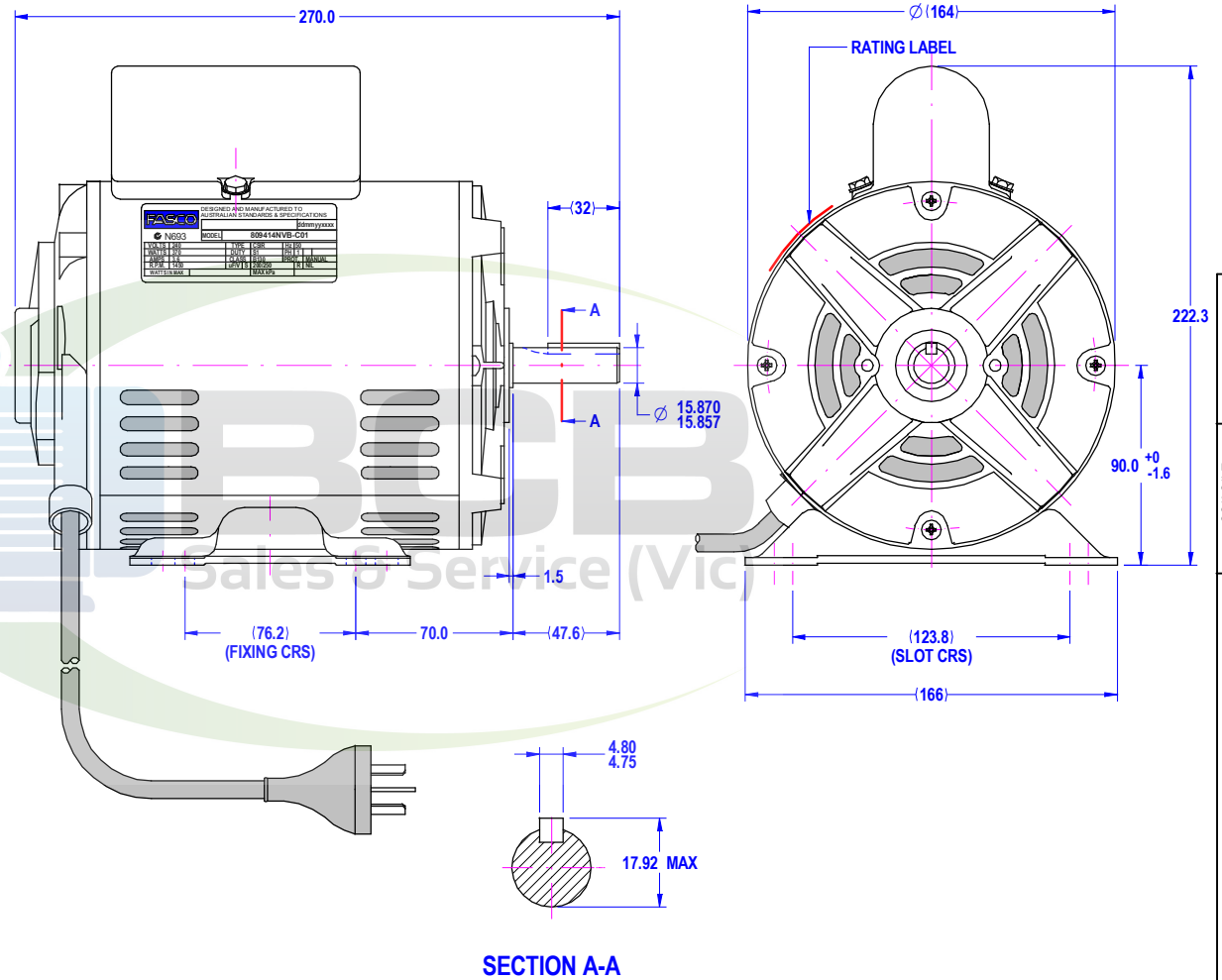
**MOTOR SPECIFICATION**

**809414NVB-C01**

Q.R. No.	Y002687	CUSTOMER NO.	-
CUSTOMER	VARIOUS (FA)		
MOTOR RATING	VOLTS	240	Hz 50 Ph 1 Duty S1
	RPM.	1450	3.6 AMPS
	NOM. OUTPUT	370 WATTS	
ROTATION	CLOCKWISE AT DRIVE END(REVERSIBLE)		
CAPACITOR	START	200/250	μF/V RUN NIL μF/V
ENCLOSURE	DRIP PROOF		
MOTOR TYPE	CSIR	INSULATION CLASS	B
THERMAL PROTECTION	MANUAL OVERLOAD		
APPLICATION	GENERAL PURPOSE - SHAFT HORIZONTAL		
BEARING D.E.	6204 ZZ	LUBRICATION	LONG LIFE, WIDE RANGE
BEARING N.D.E.	6203 ZZ		
SUPPLY LEAD	FLEX 3 PIN PLUG 2100 ± 30		
EARTH PROVISION	VIA SUPPLY LEAD		
BASIC BUILD SPECIFICATION	470-076-01	PAINT/ COLOUR	PC GREY CASE PLAIN E/S
PERFORMANCE SPECIFICATION	SP94141-01		
CONNECTION DIAGRAM	305-435-04	RATING LABEL	LABELSTD.FMT

FINAL INSPECTED MOTORS MUST COMPLY WITH ELECTRIC MOTOR VIBRATION SPECIFICATION (ES049)

THIRD ANGLE PROJECTION



**FASCO** DESIGNED AND MANUFACTURED TO AUSTRALIAN STANDARDS & SPECIFICATIONS

MODEL: **809414NVB-C01**

VOLTS	240	TYPE	CSIR	Hz	50
WATTS	370	DUTY	S1	PH	1
AMPS	3.6	CLASS	B130	PROT.	MANUAL
R.P.M.	1450	uF/V	S 200/250	R	NIL
WATTS IN MAX			MAX kPa		

SPECIAL REQUIREMENTS:

UNLESS OTHERWISE SPECIFIED : DIMENSIONS ARE IN MM. TOLERANCES

DECIMALS ± 1.0 ANGULAR ± 30'

.XX ± 0.1

THIS DRAWING REMAINS THE PROPERTY OF FASCO MOTORS AND MAY NOT BE USED, COPIED OR ISSUED WITHOUT WRITTEN PERMISSION FROM FASCO MOTORS

MOTOR WEIGHT	10.8 kg.	
DRAWN	NITHAD	24/01/06
CHECKED	PIPAT	30/01/06
RELEASED	JITWAT	01/02/06
SCALE	N.T.S.	

**FASCO THAILAND**

29/7-8 MOO 3, BANGKRUAY - SAINOI Rd., BANGKRANG, MIANG NONGTHABURI DISTRICT, NONGTHABURI 11000 THAILAND

FRAME	MOTOR	
STATUS	R	
SHEET	DWG. NO.	809414NVB-C01
A3	REVISION	A

MIC No. 009650  
By: NITHAD  
Date: 24/01/06  
MIC NEW MODEL RELEASED  
Note: