

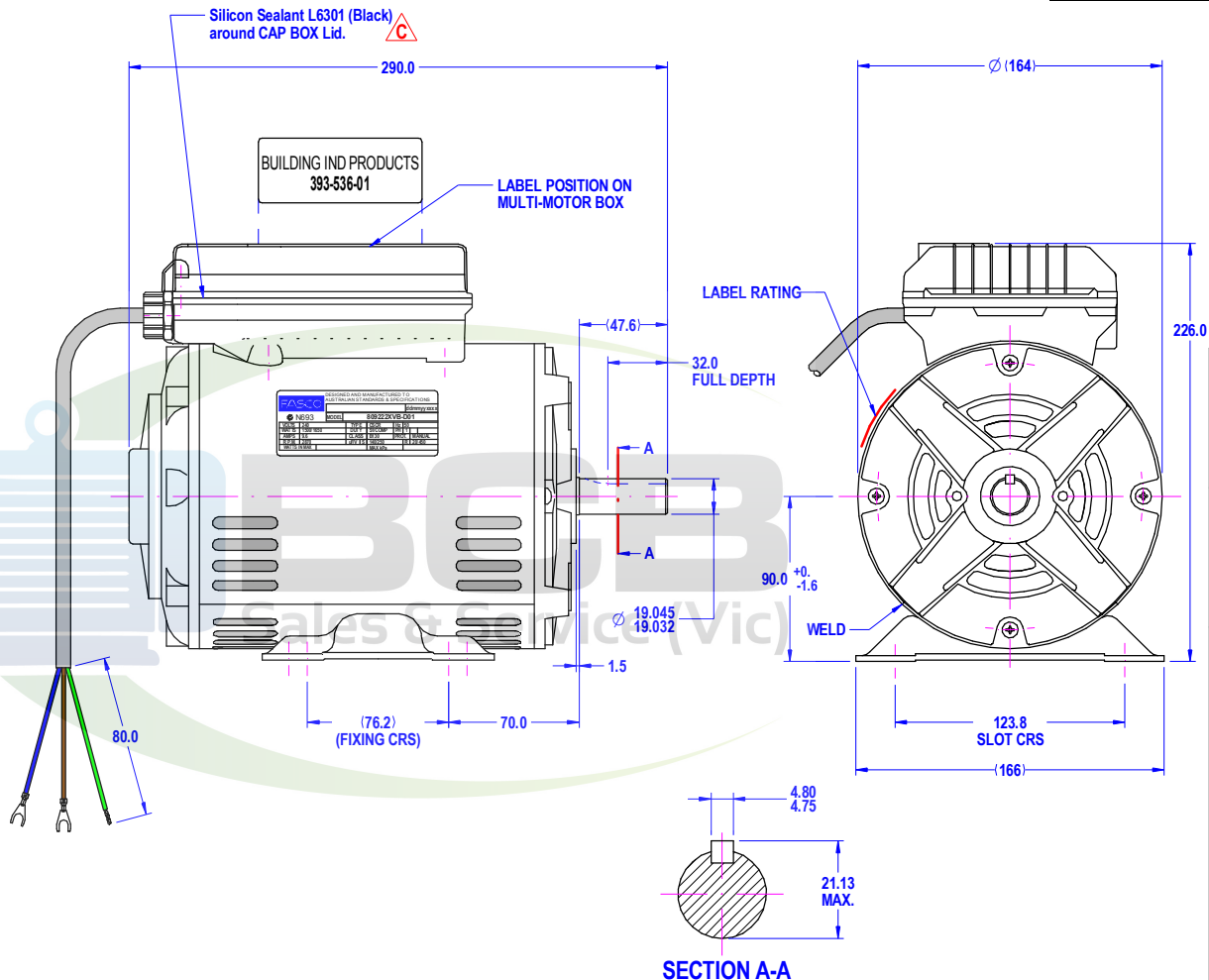
MOTOR SPECIFICATION

809222XVB-D01

Q.R. No.	QR1407064	CUSTOMER NO.	-						
CUSTOMER	GENERAL PURPOSE								
MOTOR RATING	VOLTS	240	Hz	50	Ph	1	Duty	S1/COMP	
	RPM.	2870		9.6		AMPS			
NOM. OUTPUT	1500/1650 WATTS								
ROTATION	ANTI CLOCKWISE AT DRIVE END								
CAPACITOR	START	200~250 /275		µF/V		RUN	20/450		µF/V
	ENCLOSURE DRIPPROOF								
MOTOR TYPE	CSCR	INSULATION CLASS		B					
THERMAL PROTECTION	MANUAL OVERLOAD								
APPLICATION	COMPRESSOR								
BEARING D.E.	6204 ZZ		LUBRICATION	LONG LIFE, WIDE RANGE					
BEARING N.D.E.	6203 ZZ								
SUPPLY LEAD	FLEX 750±30 GREY W/GLAND NUT								
EARTH PROVISION	VIA SUPPLY LEAD								
BASIC BUILD SPECIFICATION	470-072-01		PAINT/ COLOUR	JET BLACK (RAL-9005)					
PERFORMANCE SPECIFICATION	SP92076-01								
CONNECTION DIAGRAM	305-656-10		RATING LABEL	LABELSTD.FMT					

FINAL INSPECTED MOTORS MUST COMPLY WITH ELECTRIC MOTOR VIBRATION SPECIFICATION (ES049)

THIRD ANGLE PROJECTION



DESIGNED AND MANUFACTURED TO AUSTRALIAN STANDARDS & SPECIFICATIONS

FASCO

MODEL: **809222XVB-D01**

VOLTS	240	TYPE	CSCR	Hz	50
WATTS	1500/1650	DUTY	S1/COMP	PH	1
AMPS	9.6	CLASS	B130	PROT.	MANUAL
R.P.M.	2870	uF/V S	200~250/275	R	20/450
WATTS IN MAX		MAX kPa			

SPECIAL REQUIREMENTS:

- 1)_LEAD 381-854-03 TO BE SUPPLIED AND PACKED LOOSE
- 2)_REVERSING LABEL 393-468-02 TO BE FITTED UNDER CAPACITOR BOX LID

UNLESS OTHERWISE SPECIFIED : DIMENSIONS ARE IN MM. TOLERANCES	MOTOR WEIGHT	13.2 kg.
DECIMALS ± 1.0	DRAWN	Muntana 06/08/2014
ANGULAR ± 30'	CHECKED	Pipat 23/02/2015
THIS DRAWING REMAINS THE PROPERTY OF FASCO MOTORS AND MAY NOT BE USED, COPIED OR ISSUED WITHOUT WRITTEN PERMISSION FROM FASCO MOTORS	RELEASED	Sutthipant 23/02/2015
	SCALE	N.T.S.

FASCO THAILAND

29/7-8 MOO 3, BANGKRUAJAY - SAINOI Rd., BANGKRANG, MUANG NONTHABURI DISTRICT, NONTHABURI 11000 THAILAND

FRAME	MOTOR	
STATUS	B074:9222V1500-ABD	
SHEET	DWG. NO.	809222XVB-D01
A3		REVISION
		C

M/C:1412700
 By: Muntana
 Date: 16/02/2015
 M/C: C-Add process with Silicone Sealant L6301 (Black)
 Note: around CAP BOX Lid