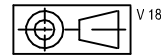


FASCO MOTORS MAY PROVIDE TECHNICAL ASSISTANCE TO OUR CUSTOMERS IN MANY AREAS. HOWEVER, SINCE FASCO MOTOR IS NOT AWARE OF ALL DATA CONCERNING THE USE AND APPLICATION OF THIS MOTOR, THE FITNESS OF THE MOTOR FOR THE APPLICATION MUST BE DETERMINED BY AND IS THE RESPONSIBILITY OF THE CUSTOMER.



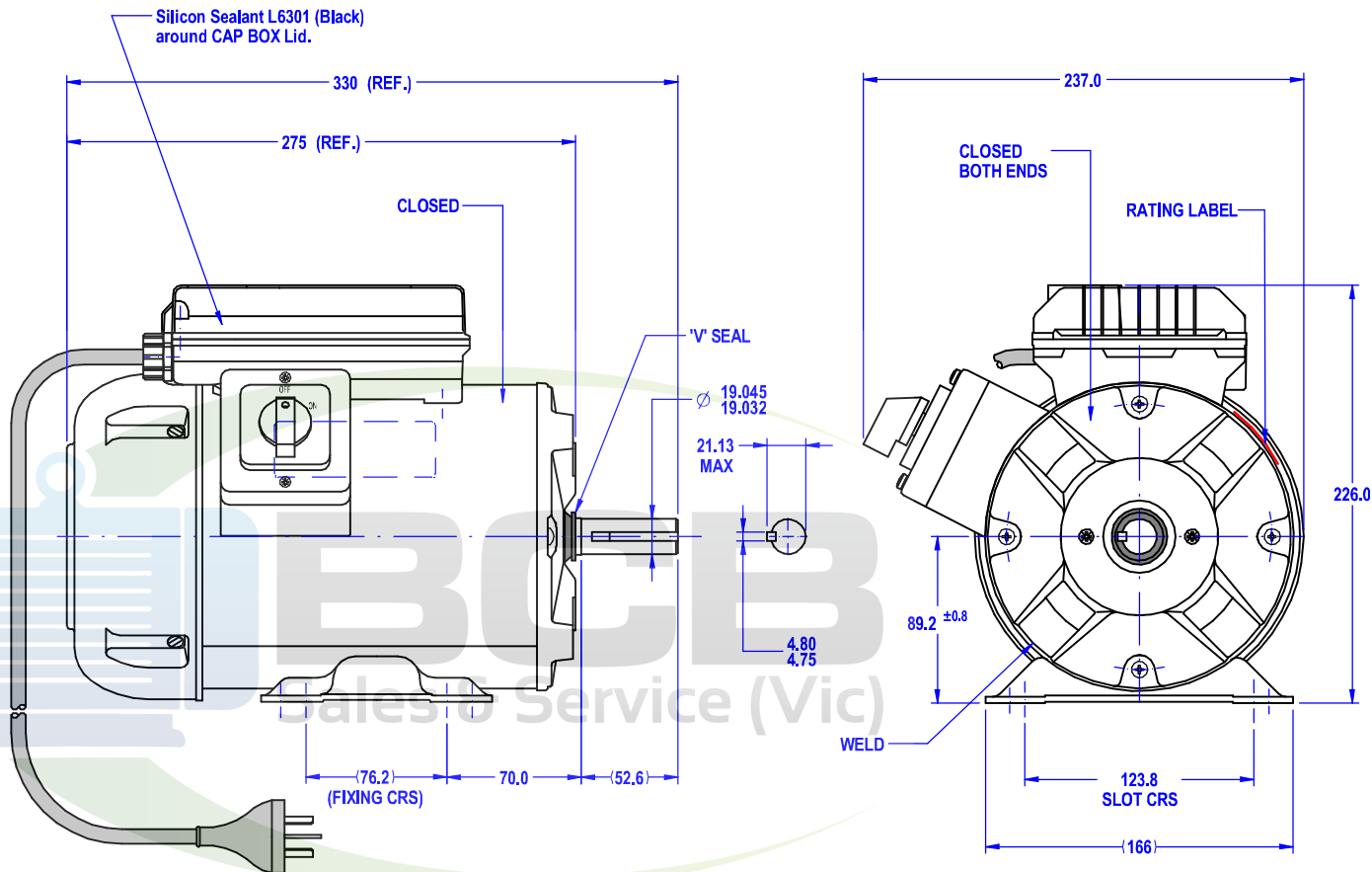
MOTOR SPECIFICATION

809222XTE-C12

Q.R. No.	Y000562		CUSTOMER NO.	-	
CUSTOMER	BT ENGINEERING				
MOTOR RATING	VOLTS	240	Hz	50	Ph 1 Duty S1 A.O.M.
	MAX. INPUT	2900		9.5 AMPS	
	NOM. OUTPUT	1650 WATTS			
ROTATION	ANTI CLOCK WISE AT DRIVE END				
CAPACITOR	START	240	µF/V	RUN	35/450 µF/V
ENCLOSURE	TOTALLY ENCLOSED FAN COOLED				
MOTOR TYPE	CSCR	INSULATION CLASS		B	
THERMAL PROTECTION	MANUAL OVERLOAD				
APPLICATION	BRICKSAW				
BEARING D.E.	6204 ZZ		LUBRICATION	LONG LIFE, WIDE RANGE	
BEARING N.D.E.	6203 ZZ				
SUPPLY LEAD	FLEX 10A PLUG 2000±30 GREY W / GLAND NUT				
EARTH PROVISION	VIA SUPPLY LEAD				
BASIC BUILD SPECIFICATION	470-069-05		PAINT/ COLOUR	STD BLUE	
PERFORMANCE SPECIFICATION	SP92078-01				
CONNECTION DIAGRAM	305-656-05		RATING LABEL	LABELSTD.FMT	

FINAL INSPECTED MOTORS MUST COMPLY WITH ELECTRIC MOTOR VIBRATION SPECIFICATION (ES049)

THIRD ANGLE PROJECTION



DESIGNED AND MANUFACTURED TO AUSTRALIAN STANDARDS & SPECIFICATIONS

ddmmyyxxxx

N693

MODEL 809222XTE-C12

VOLTS	240	TYPE	CSCR	Hz	50
WATTS	1650	DUTY	S1	PH	1
AMPS	9.5	CLASS	B130	PROT.	MANUAL
R.P.M.	2900	uF/V S	240	R	35/450
WATTS IN MAX		MAX kPa			

87.0

SPECIAL REQUIREMENTS:

- 1) REVERSING LABEL 393-468-02 TO BE FITTED UNDER CAPCITOR BOX LID.
- 2) FIT 'V' SEAL TO SHAFT AT DRIVE END.
- 3) CAPACITOR FITTED TO MOTOR.

UNLESS OTHERWISE SPECIFIED : DIMENSIONS ARE IN MM. TOLERANCES

DECIMALS	ANGULAR
.X ± 1.0	± 30'
.XX ± 0.1	

THIS DRAWING REMAINS THE PROPERTY OF FASCO MOTORS AND MAY NOT BE USED, COPIED OR ISSUED WITHOUT WRITTEN PERMISSION FROM FASCO MOTORS

MOTOR WEIGHT

19.0

kg.

DRAWN	Nithad	05/03/2001
CHECKED	Pipat	16/06/2015
RELEASED	Sutthipant	16/06/2015
SCALE	N.T.S.	



29/7-8 MOO 3, BANGKRUAY - SAINOI Rd., BANGKRANG, MUANG NONHABURI DISTRICT, NONHABURI 11000 THAILAND

FRAME

MOTOR

STATUS

B078:9222T-1650-ABD:BTENG

R

SHEET

DWG. NO.

809222XTE-C12

A3

REVISION

I