

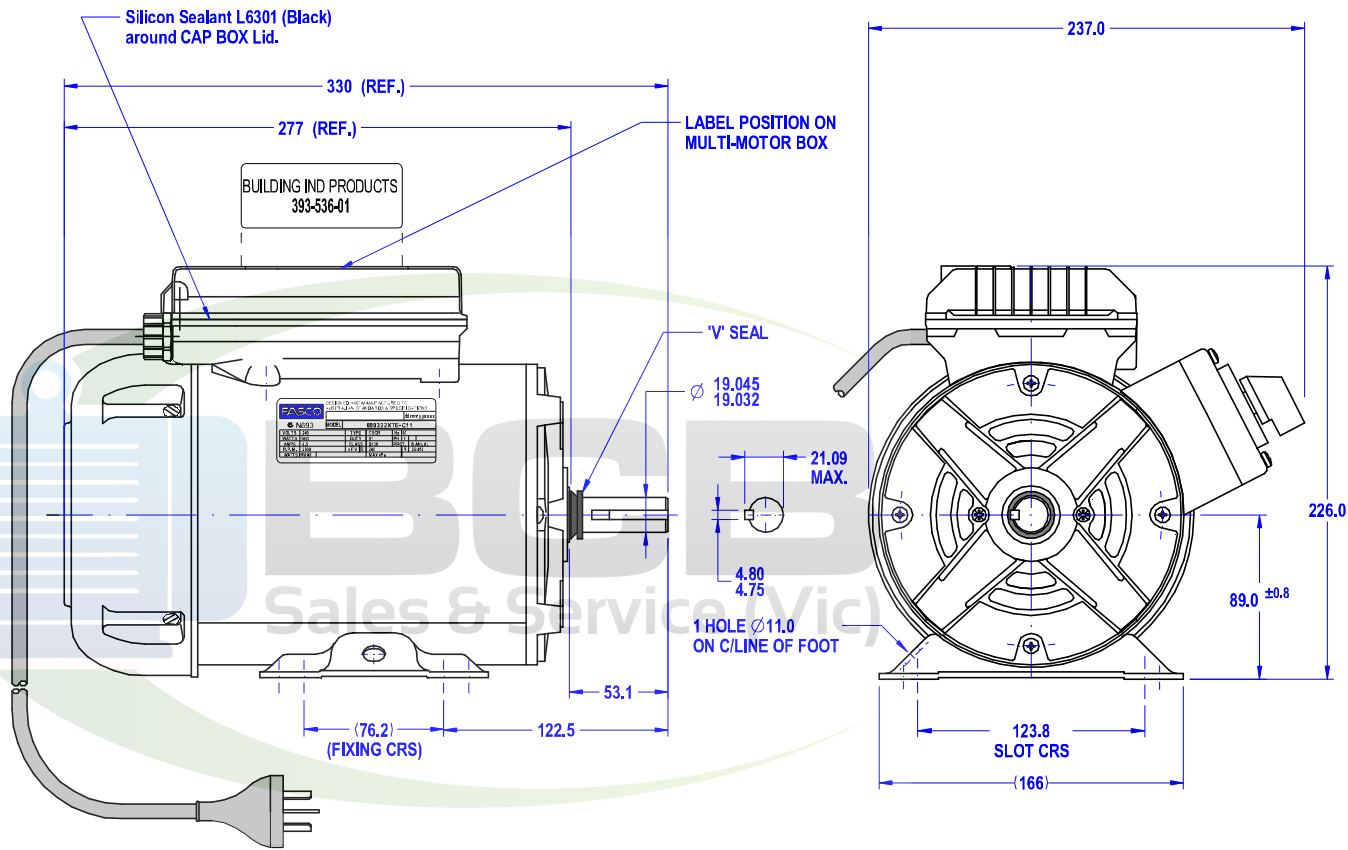
MOTOR SPECIFICATION

FINAL INSPECTED MOTORS MUST COMPLY WITH ELECTRIC MOTOR VIBRATION SPECIFICATION (ES049)

THIRD ANGLE PROJECTION.

809222XTE-C11

Q.R. No.	7747	CUSTOMER NO.	-
CUSTOMER	VARIOUS		
MOTOR RATING	VOLTS	240	Hz 50 Ph 1 Duty S1 A.O.M.
	MAX. INPUT	2900	9.5 AMPS
	NOM. OUTPUT	1650 WATTS	
ROTATION	CLOCKWISE AT DRIVE END		
⚠ CAPACITOR	START	135 ~ 250/250 μF/V	RUN 35/450 μF/V
ENCLOSURE	TOTALLY ENCLOSED FAN COOLED		
MOTOR TYPE	CSCR	INSULATION CLASS	B
THERMAL PROTECTION	MANUAL OVERLOAD		
APPLICATION	BRICKSAW		
BEARING D.E.	6204 ZZ	LUBRICATION	LONG LIFE, WIDE RANGE
BEARING N.D.E.	6203 ZZ		
SUPPLY LEAD	FLEX 10A PLUG 2000±30 GREY W / GLAND NUT		
EARTH PROVISION	VIA SUPPLY LEAD		
BASIC BUILD SPECIFICATION	470-069-05	PAINT/ COLOUR	BLUE RAL-5009
PERFORMANCE SPECIFICATION	SP92078-01 ⚠		
CONNECTION DIAGRAM	305-656-05	RATING LABEL	LABELSTD.FMT



DESIGNED AND MANUFACTURED TO AUSTRALIAN STANDARDS & SPECIFICATIONS

FASCO ddmmyyxxxx

C N693 MODEL **809222XTE-C11**

VOLTS	240	TYPE	CSCR	Hz	50
WATTS	1650	DUTY	S1	PH	1
AMPS	9.5	CLASS	B130	PROT.	MANUAL
R.P.M.	2900	uF/V	240	R	35/450
WATTS IN MAX			MAX kPa		

87.0

- SPECIAL REQUIREMENTS:
- 1)_REVERSING LABEL 393-468-02 TO BE FITTED UNDER CAPACITOR BOX LID.
 - 2)_FIT 'V' SEAL TO SHAFT AT DRIVE END.
 - 3)_CAPACITOR FITTED TO MOTOR.

UNLESS OTHERWISE SPECIFIED : DIMENSIONS ARE IN MM. TOLERANCES		MOTOR WEIGHT	
DECIMALS	ANGULAR	X.X kg.	
.X ± 1.0	± 30'	DRAWN	Nithad 19/02/2001
.XX ± 0.1		CHECKED	Pipat 10/07/2015
THIS DRAWING REMAINS THE PROPERTY OF FASCO MOTORS AND MAY NOT BE USED, COPIED OR ISSUED WITHOUT WRITTEN PERMISSION FROM FASCO MOTORS		RELEASED	Sutthipant 10/07/2015
		SCALE	N.T.S.

FASCO THAILAND

297-8 MOO 3, BANGKRUAJAY - SAINOI Rd., BANGKRANG, MUANG NONTHABURI DISTRICT, NONTHABURI 11000 THAILAND

FRAME	MOTOR	
STATUS	B058:9222T1650-AAD	
SHEET	DWG. NO.	REVISION
A3	809222XTE-C11	H

MIC1607334
By: Muntana
Date: 10/07/2015
MIC H-REVISE SP NUMBER WAS SP92058-01 TO BE
Date: 10/07/2015
SP92078-01