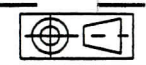


FASCO MOTORS MAY PROVIDE TECHNICAL ASSISTANCE TO OUR CUSTOMERS IN MANY AREAS. HOWEVER, SINCE FASCO MOTOR IS NOT AWARE OF ALL DATA CONCERNING THE USE AND APPLICATION OF THIS MOTOR, THE FITNESS OF THE MOTOR FOR THE APPLICATION MUST BE DETERMINED BY AND IS THE RESPONSIBILITY OF THE CUSTOMER.

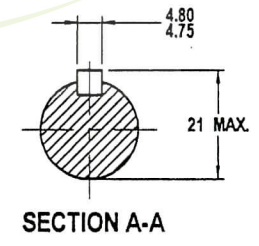
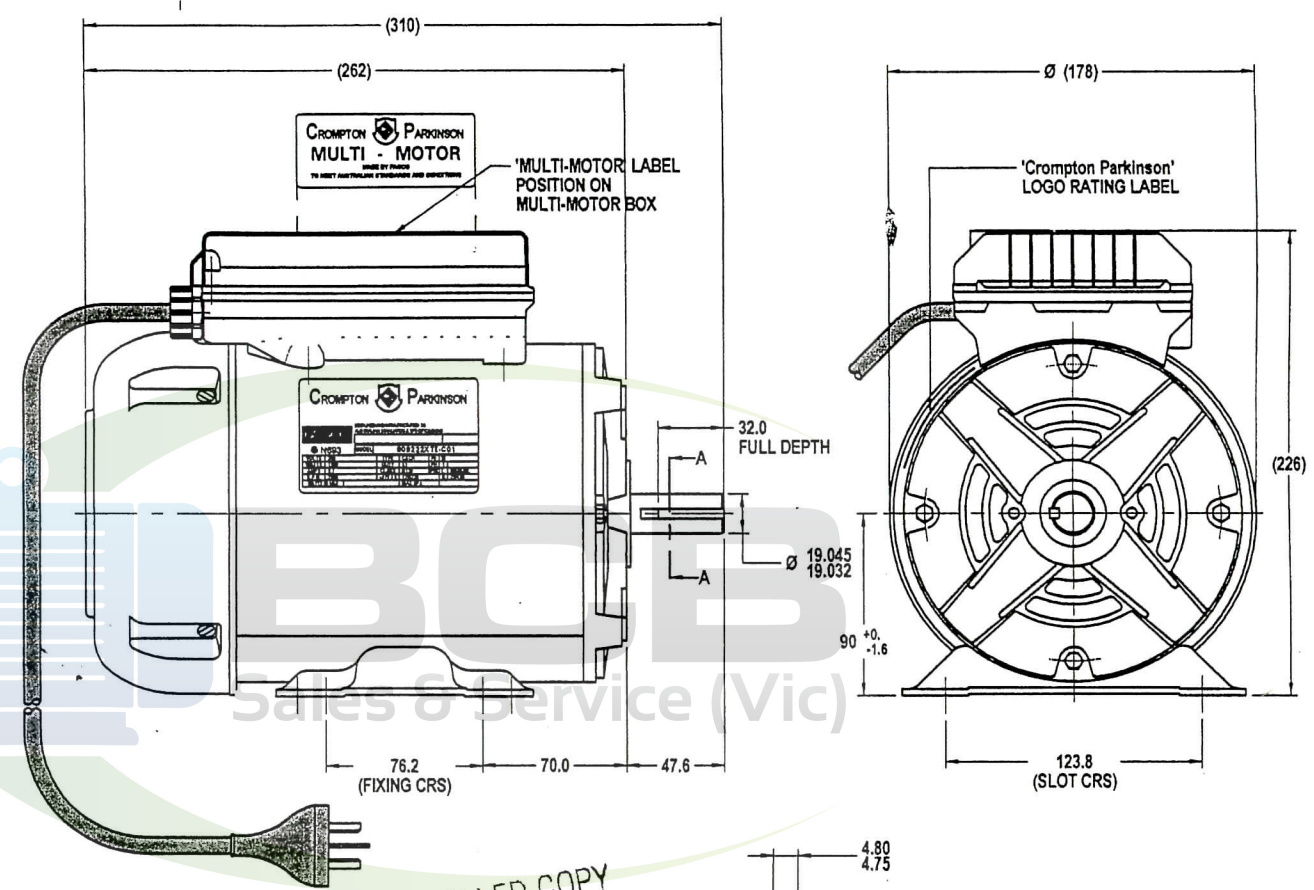


THIRD ANGLE PROJECTION

MOTOR SPECIFICATION

809222XTE-C01

Q.R. No.	7676	CUSTOMER NO.						
CUSTOMER	VARIOUS							
MOTOR RATING	VOLTS	240	Hz	50	Ph	1	Duty	S1
	RPM.	2890		8.7		AMPS		
	NOM. OUTPUT	1500 WATTS						
ROTATION	CLOCK WISE AT SHAFT END							
CAPACITOR	START	120/230	μF/V	RUN	25/400	μF/V		
ENCLOSURE	T.E.F.C.							
MOTOR TYPE	CSCR	INSULATION CLASS	B					
THERMAL PROTECTION	MANUAL OVERLOAD							
APPLICATION	GENERAL PURPOSE							
BEARING D.E.	6204 ZZ		LUBRICATION	LONG LIFE, WIDE RANGE				
BEARING N.D.E.	6203 ZZ							
SUPPLY LEAD	FLEX 10A PLUG 2050±30 GREY W/GLAND NUT							
EARTH PROVISION	VIA SUPPLY LEAD							
BASIC BUILD SPECIFICATION	470-069-03	PAINT/ COLOUR	STD.BLUE					
PERFORMANCE SPECIFICATION	SP92056-01							
CONNECTION DIAGRAM	305-656-01	RATING LABEL	TCPLABEL.FMT					



MIC No. 003764
 BY: NITTHAD
 Date: 05/02/01
 MIC: MODIFIED FROM 809222XTE-B01



DESIGNED AND MANUFACTURED TO AUSTRALIAN STANDARDS & SPECIFICATIONS

FASCO		MODEL		809222XTE-C01		
C N693	VOLTS	240	TYPE	CSCR	Hz	50
	WATTS	1500	DUTY	S1	PH	1
	AMPS	8.7	CLASS	B130	PROT.	MANUAL
	R.P.M.	2890	μF/V S	120/230	R	25/400
	WATTS IN MAX		MAX kPa			

CONTROLLED COPY
16 AUG 2001

UNLESS OTHERWISE SPECIFIED :
DIMENSIONS ARE IN MM.
TOLERANCES

DECIMALS	ANGULAR
.X ± 1.0	± 30'
.XX ± 0.5	

MATL & FINISH		
DRAWN	NITTHAD	03/0
CHECKED	KITTI	05/0
RELEASED	KITTI	05/02/01
SCALE		

THIS DRAWING REMAINS THE PROPERTY OF FASCO MOTORS AND MAY NOT BE USED, COPIED OR ISSUED WITHOUT WRITTEN PERMISSION FROM FASCO MOTORS

297-8 MUJ 3, BANGKRUAY - SAINOI Rd.,
BANGKRANG, MUANG NONGHABURI DISTRICT,
NONGHABURI 11000 THAILAND

SPECIAL REQUIREMENTS:
 1)_'MULTI-MOTOR' LABEL 393-521-01 TO BE FITTED AS INDICATED, TO READ FROM LEAD END TO DRIVE END.
 2)_'REVERSING' LABEL 393-468-02 TO BE FITTED UNDER CAPACITOR BOX LID. REFER 346-439 FOR PACKING DETAILS

MOTOR		REVISION
056:9222T-1500-AAD:GP		
SHEET	DWG. NO.	REVISION
A3	809222XTE-C01	A