

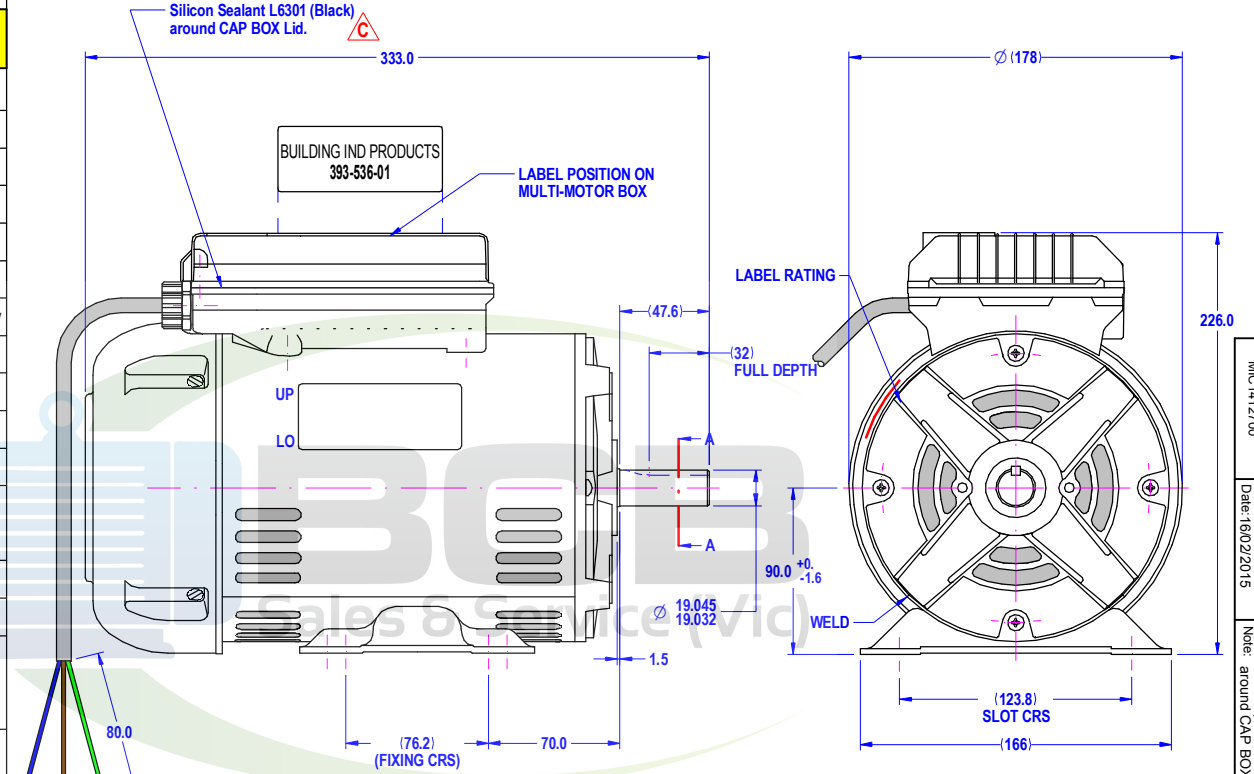
MOTOR SPECIFICATION

FINAL INSPECTED MOTORS MUST COMPLY WITH ELECTRIC MOTOR VIBRATION SPECIFICATION (ES049)

THIRD ANGLE PROJECTION

809222VVB-D01

Q.R. No.	1407062	CUSTOMER NO.	-						
CUSTOMER	VARIOUS								
MOTOR RATING	VOLTS	240	Hz	50	Ph	1	Duty	S1/COMP	
	RPM.	2877		11.3		AMPS			
NOM. OUTPUT	2200 WATTS								
ROTATION	ANTI CLOCKWISE AT DRIVE END								
CAPACITOR	START	200-250/275		µF/V		RUN	35/450		µF/V
	ENCLOSURE								
D.P.F.C.									
MOTOR TYPE	CSCR	INSULATION CLASS			B				
THERMAL PROTECTION	MANUAL OVERLOAD								
APPLICATION	COMPRESSOR								
BEARING D.E.	6204 ZZ		LUBRICATION	LONG LIFE, WIDE RANGE					
BEARING N.D.E.	6203 ZZ								
SUPPLY LEAD	FLEX 10A FLEX 750±30 GREY W/GLAND NUT								
EARTH PROVISION	VIA SUPPLY LEAD								
BASIC BUILD SPECIFICATION	470-073-03		PAINT/ COLOUR	JET BLACK (RAL-9005)					
	PERFORMANCE SPECIFICATION			SP92074-01					
CONNECTION DIAGRAM	305-656-10		RATING LABEL	LABELSTD.FMT					



DESIGNED AND MANUFACTURED TO AUSTRALIAN STANDARDS & SPECIFICATIONS

FASCO ddmmyyxxxx

N693 MODEL **809222VVB-D01**

VOLTS	240	TYPE	CSCR	Hz	50
WATTS	2200	DUTY	S1/COMP	PH	1
AMPS	11.3	CLASS	B130	PROT.	MANUAL
R.P.M.	2877	µF/V S	200-250/275	R	35/450
WATTS IN MAX	MAX kPa				

35.0 (height) 87.0 (width)

- SPECIAL REQUIREMENTS:
- 1)_LEAD 381-853-03 TO BE SUPPLIED AND PACKED LOOSE
 - 2)_REVERSING LABEL 393-468-02 TO BE FITTED UNDER CAPACITOR BOX LID

UNLESS OTHERWISE SPECIFIED : DIMENSIONS ARE IN MM. TOLERANCES

DECIMALS	ANGULAR
.X ± 1.0	± 30'
.XX ± 0.1	

THIS DRAWING REMAINS THE PROPERTY OF FASCO MOTORS AND MAY NOT BE USED, COPIED OR ISSUED WITHOUT WRITTEN PERMISSION FROM FASCO MOTORS

MOTOR WEIGHT		X.X kg.	
DRAWN	Pongpun	21/08/2014	
CHECKED	Pipat	23/02/2015	
RELEASED	Sutthipant	23/02/2015	
SCALE	N.T.S.		

FASCO THAILAND

29/7-8 MOO 3, BANGKRUAY - SAINOI Rd., BANGKRAK, MUANG NONTHABURI DISTRICT, NONTHABURI 11000 THAILAND

FRAME	MOTOR	
STATUS	B074:9222V2200-ABD	
SHEET	DWG. NO.	REVISION
A3	809222VVB-D01	C

M/C:1412700
 By: Mantana
 Date: 16/02/2015
 M/C: C-Add process with Silicone Sealant L6301 (Black)
 Note: around CAP BOX Lid