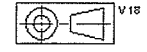


FASCO Australia Proprietary Information
 FASCO MOTORS MAY PROVIDE TECHNICAL ASSISTANCE TO OUR CUSTOMERS IN MANY AREAS, HOWEVER, SINCE FASCO MOTOR IS NOT AWARE OF ALL DATA CONCERNING THE USE AND APPLICATION OF THIS MOTOR, THE FITNESS OF THE MOTOR FOR THE APPLICATION MUST BE DETERMINED BY AND IS THE RESPONSIBILITY OF THE CUSTOMER.

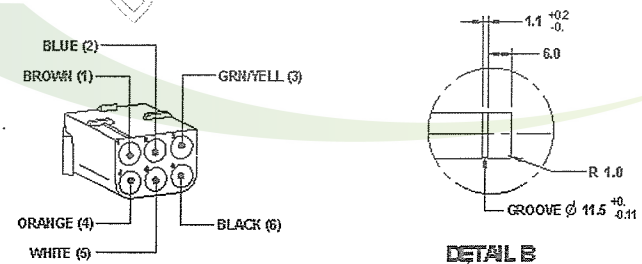
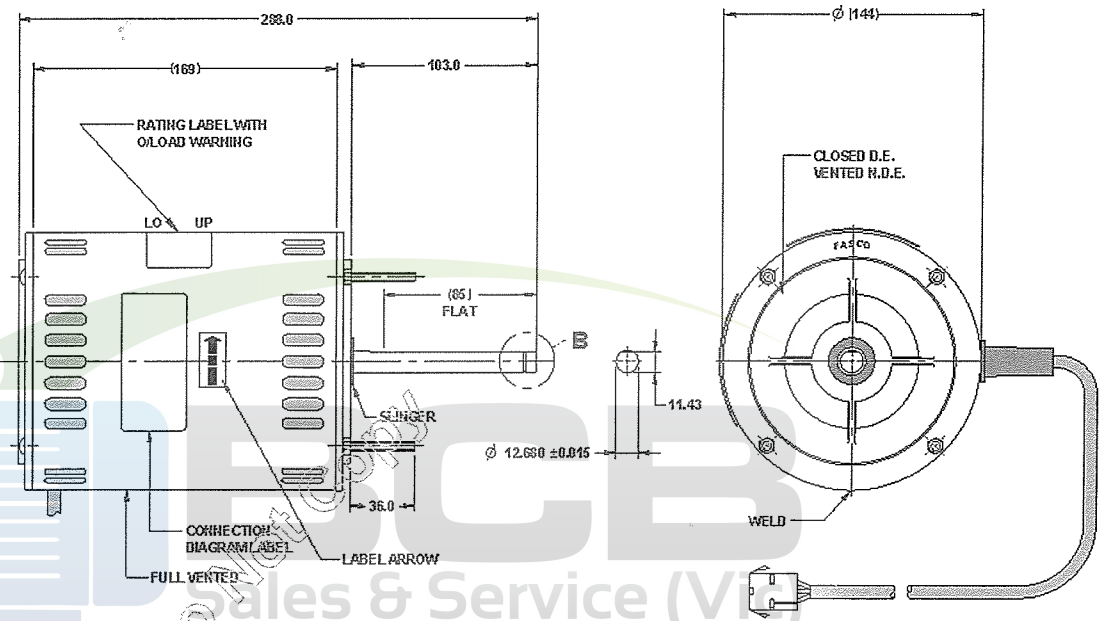


MOTOR SPECIFICATION

80855BRVA-A18	
Q.R.No.	Y004091
CUSTOMER	OMEGA CLIMATE SYSTEM
MOTOR RATING	VOLTS 240 Hz 50 Ph 1 Duty S1 ACM
	RPM. 1390(VAR) 7.34 AMPS
NOM. OUTPUT	1000 WATTS
ROTATION	CLOCKWISE AT DRIVE END (REVERSIBLE)
CAPACITOR	START — μF/V RUN 30/400 μF/V
ENCLOSURE	VENTED
MOTOR TYPE	CSR INSULATION CLASS B130
THERMAL PROTECTION	AUTO RESET OVERLOAD
APPLICATION	EVAPORATIVE COOLER - SHAFT VERT. UP
BEARING D.E.	6202 CONTACT SEAL
BEARING N.D.E.	6202 CONTACT SEAL
SUPPLY LEAD	FLEX 750±30 GREY W/TERMINAL
EARTH PROVISION	VIA SUPPLY LEAD
BASIC BUILD SPECIFICATION	305-570-99
PERFORMANCE SPECIFICATION	SP65445-01
CONNECTION DIAGRAM	393-333-01
	PAIN/ COLOUR PC GREY CASE PLAIN B'SHIELDS
	RATING LABEL SSTDAUTO.FMT

FINAL INSPECTED MOTORS MUST COMPLY WITH ELECTRIC MOTOR VIBRATION SPECIFICATION (E5049)

THIRD ANGLE PROJECTION



FASCO DESIGNED AND MANUFACTURED TO AUSTRALIAN STANDARDS & SPECIFICATIONS

C N693 MODEL 80855BRVA-A18

VOLTS 240	R.P.M. 1390(VAR)	CLASS B130	Hz 50
WATTS 1000	TYPE CSR	μF/V S NL	Ph 1
AMPS 7.34	DUTY S1ACM	μF/V R 30/400	PROT. AUTO

WARNING MOTOR FITTED WITH INTERNAL AUTO RESET OVERLOAD AND MAY RESTART WITHOUT WARNING

"TYPE A CHANGE. NOTIFY PRODUCT DEVELOPMENT WHEN BUILDING FIRST OFF."

SPECIAL REQUIREMENTS:
 1) LEAD 391-824-01 TO BE SUPPLIED LOOSE.
 2) SLINGER TO BE FITTED TO SHAFT.
 3) CAPACITOR TYPE P2, NUT AND WASHER SPRING M8 SUPPLIED LOOSE.

UNLESS OTHERWISE SPECIFIED: DIMENSIONS ARE IN MM TOLERANCES	MOTOR WEIGHT	12.5 kg.
DECIMALS ± 1.0	DRAWN	PONGPUN 14/01/10
ANGULAR ± 30'	CHECKED	PIPAT 15/01/10
SCALE N.T.S.	RELEASED	KANAPOTE 16/01/10

FASCO THAILAND
 214-4 MOO 1, BAIGRIAY-1A101 RA, BAIGRIAY, MI AIG IOTIABRI DISTRICT, IOTIABRIHITI THAILAND

FRAME	MOTOR
STATUS	R
SHEET	A3
DWG. NO.	80855BRVA-A18
REVISION	A

MIC No. 0125-49
 Date: 14/01/10
 By: PONGPUN
 New Model Released