

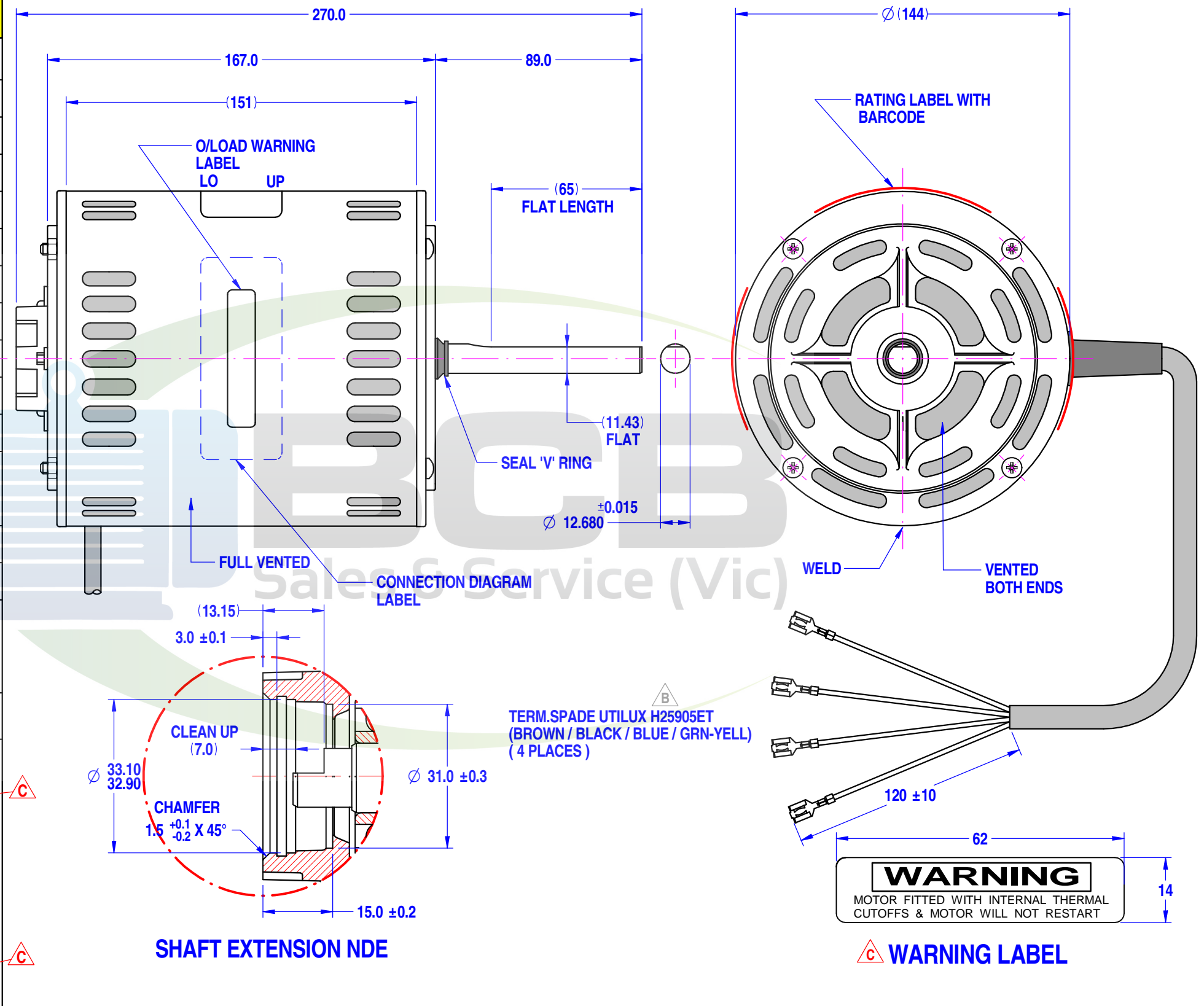
MOTOR SPECIFICATION

FINAL INSPECTED MOTORS MUST COMPLY WITH ELECTRIC MOTOR VIBRATION SPECIFICATION (ES049)

THIRD ANGLE PROJECTION

80855BRVA-A15

Q.R. No.	Y001837	CUSTOMER NO.	B016840
CUSTOMER	RINNAI		
MOTOR RATING	VOLTS	240	Hz 50 Ph 1 Duty S1 AOM.
	RPM.	1290(VAR)	6.8 AMPS
	NOM. OUTPUT	950 WATTS	
ROTATION	ANTI CLOCKWISE DRIVE END		
CAPACITOR	START	-----	μF/V RUN 25/400 μF/V
ENCLOSURE	FULLY VENTED		
MOTOR TYPE	CSR	INSULATION CLASS	B130
THERMAL PROTECTION	THERMAL FUSE CUT-OFF 152 °C		
APPLICATION	EVAPORATIVE COOLER - SHAFT VERT.UP		
BEARING D.E.	6202 DDU	LUBRICATION	LONG LIFE, WIDE RANGE
BEARING N.D.E.	6202 DDU		
SUPPLY LEAD	FLEX 1100 ± 30 GREY		
EARTH PROVISION	VIA SUPPLY LEAD		
BASIC BUILD SPECIFICATION	305-570-16	PAINT/ COLOUR	PC GREY CASE PLAIN E/SHIELDS
PERFORMANCE SPECIFICATION	SP85198-01		
CONNECTION DIAGRAM	393-531-01	RATING LABEL	AS SHOWN



950W COOLER B016840

FASCO MODEL 80855BRVA-A15

FASCO S/N ddmmyyxxxx

VOLTS 240	R.P.M. 1290(VAR)	CLASS B130	Hz 50
WATTS 950	TYPE CSR	μF/V S NIL	Ph 1
AMPS 6.8	DUTY S1/AOM	μF/V R 25/400	PROT. FUSE

87.0

SPECIAL REQUIREMENTS:

- 1)_CAPACITOR SUPPLIED BY CUSTOMER.
- 2)_MOTOR TO BE MOUNTED SHAFT UP WITH ABUTMENT WASHER IN THE LEAD END.

UNLESS OTHERWISE SPECIFIED : DIMENSIONS ARE IN MM. TOLERANCES		MOTOR WEIGHT	10.8 kg.
DECIMALS	ANGULAR	DRAWN	Nithad 09/10/2003
.X ± 1.0	± 30'	CHECKED	Pipat 11/05/2018
.XX ± 0.1		RELEASED	Suksakorn 11/05/2018
THIS DRAWING REMAINS THE PROPERTY OF FASCO MOTORS AND MAY NOT BE USED, COPIED OR ISSUED WITHOUT WRITTEN PERMISSION FROM FASCO MOTORS		SCALE	N.T.S.

FASCO THAILAND

29/7-8 MOO 3, BANGKRUAY - SAINOI Rd., BANGKRANG, MUANG NONGHABURI DISTRICT, NONGHABURI 11000 THAILAND

FRAME	MOTOR
STATUS	B198:855BV-950-XBD:BRIVS
SHEET	DWG. NO. 80855BRVA-A15
A3	REVISION C

MIC1802049 By: Veeranut Date: 11/05/2018 MIC C: CHANGE OVERLOAD TO THERMAL FUSE AND CHANGE WARNING LABEL AND REMOVE C-TICK LABEL