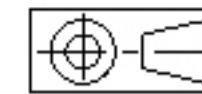


FASCO MOTORS MAY PROVIDE TECHNICAL ASSISTANCE TO OUR CUSTOMERS IN MANY AREAS. HOWEVER, SINCE FASCO MOTOR IS NOT AWARE OF ALL DATA CONCERNING THE USE AND APPLICATION OF THIS MOTOR, THE FITNESS OF THE MOTOR FOR THE APPLICATION MUST BE DETERMINED BY AND IS THE RESPONSIBILITY OF THE CUSTOMER.



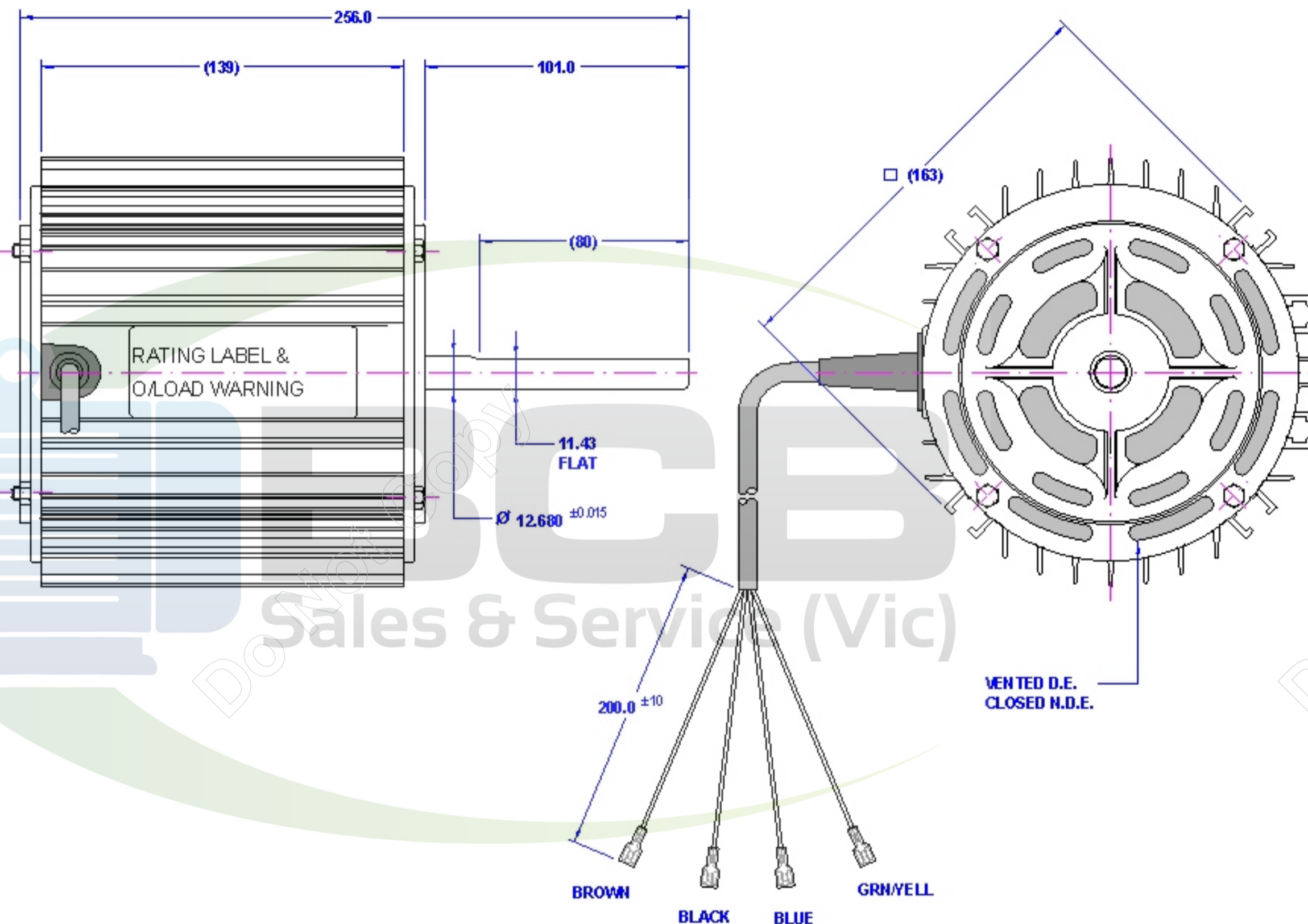
THIRD ANGLE PROJECTION

MOTOR SPECIFICATION

**80855BQVC-A11**

Q.R. No.	8006	CUSTOMER NO.	-
CUSTOMER	BRAEMAR		
MOTOR RATING	VOLTS	240	Hz 50 Ph 1 Duty AOM
	RPM.	1280	5.4 AMPS
	NOM. OUTPUT	750 WATTS	
ROTATION	CLOCKWISE DRIVE END		
CAPACITOR	START	—	μF/V RUN 20/400 μF/V
ENCLOSURE	VENTED		
MOTOR TYPE	CSR	INSULATION CLASS	B130
THERMAL PROTECTION	AUTO RESET THERMAL OVERLOAD		
APPLICATION	FAN - SHAFT HORIZONTAL		
BEARING D.E.	6202 DDU	LIBRICATION	LONG LIFE WIDE RANGE
BEARING N.D.E.	6202 DDU		
SUPPLY LEAD	FLEX 1050±30 GREY		
EARTH PROVISION	VIA SUPPLY LEAD		
BASIC BUILD SPECIFICATION	305-698-01	PAINT/ COLOUR	PC GREY PLAIN E/SHIELDS
PERFORMANCE SPECIFICATION	SP85178-04		
CONNECTION DIAGRAM	393-402-06	RATING LABEL	SSTDAUTO.FMT

FINAL INSPECTED MOTORS MUST COMPLY WITH ELECTRIC MOTOR VIBRATION SPECIFICATION (E5049)



**FASCO** DESIGNED AND MANUFACTURED TO AUSTRALIAN STANDARDS & SPECIFICATIONS

N693

MODEL 80855BQVC-A11

VOLTS 240	R.P.M. 1280	CLASS B130	Hz 50
WATTS 750	TYPE CSR	μF/A S NIL	Ph 1
AMPS 5.4	DUTY AOM	μF/A R 20/400	PROT. AUTO

**WARNING** MOTOR FITTED WITH INTERNAL AUTO RESET OVERLOAD AND MAY RESTART WITHOUT WARNING

87.0

MIC No. 003933  
 By: NITHAD  
 Date: 03/09/02  
 Note: MIC CHANGE SPECIAL REQUIREMENTS ITEM 1

SPECIAL REQUIREMENTS:

- 1) CAPACITOR SUPPLIED BY CUSTOMER.
- 2) CONNECTION LABEL SUPPLIED LOOSE
- 3) FIT INSULATORS ON ALL TERMINALS.

UNLESS OTHERWISE SPECIFIED : DIMENSIONS ARE IN MM TOLERANCES	MOTOR WEIGHT	9.6 kg.
DECIMALS .X ± 1.0 .XX ± 0.5	ANGULAR ± 30'	
DRAWN SYDNEY 03/10/97		
CHECKED PIPAT 03/09/02		
RELEASED PIPAT 03/09/02		
SCALE N.T.S.		

**FASCO THAILAND**

297-8 MOO 3, BANGKRUAY - SAI NOI RD.,  
 BANGKRUANG, MUANG NONG HABURI DISTRICT,  
 NONG HABURI 11000 THAILAND

FRAME	MOTOR
STATUS	R
SHEET	DWG. NO. 80855BQVC-A11
REVISION	J