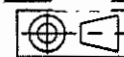


FASCO MOTORS MAY PROVIDE TECHNICAL ASSISTANCE TO OUR CUSTOMERS IN MANY AREAS. HOWEVER, SINCE FASCO MOTOR IS THE PROPERTY OF ALL DATA CONCERNING THE USE AND APPLICATION OF THIS MOTOR, THE FITNESS OF THE MOTOR FOR THE APPLICATION MUST BE DETERMINED BY AND IS THE RESPONSIBILITY OF THE CUSTOMER.

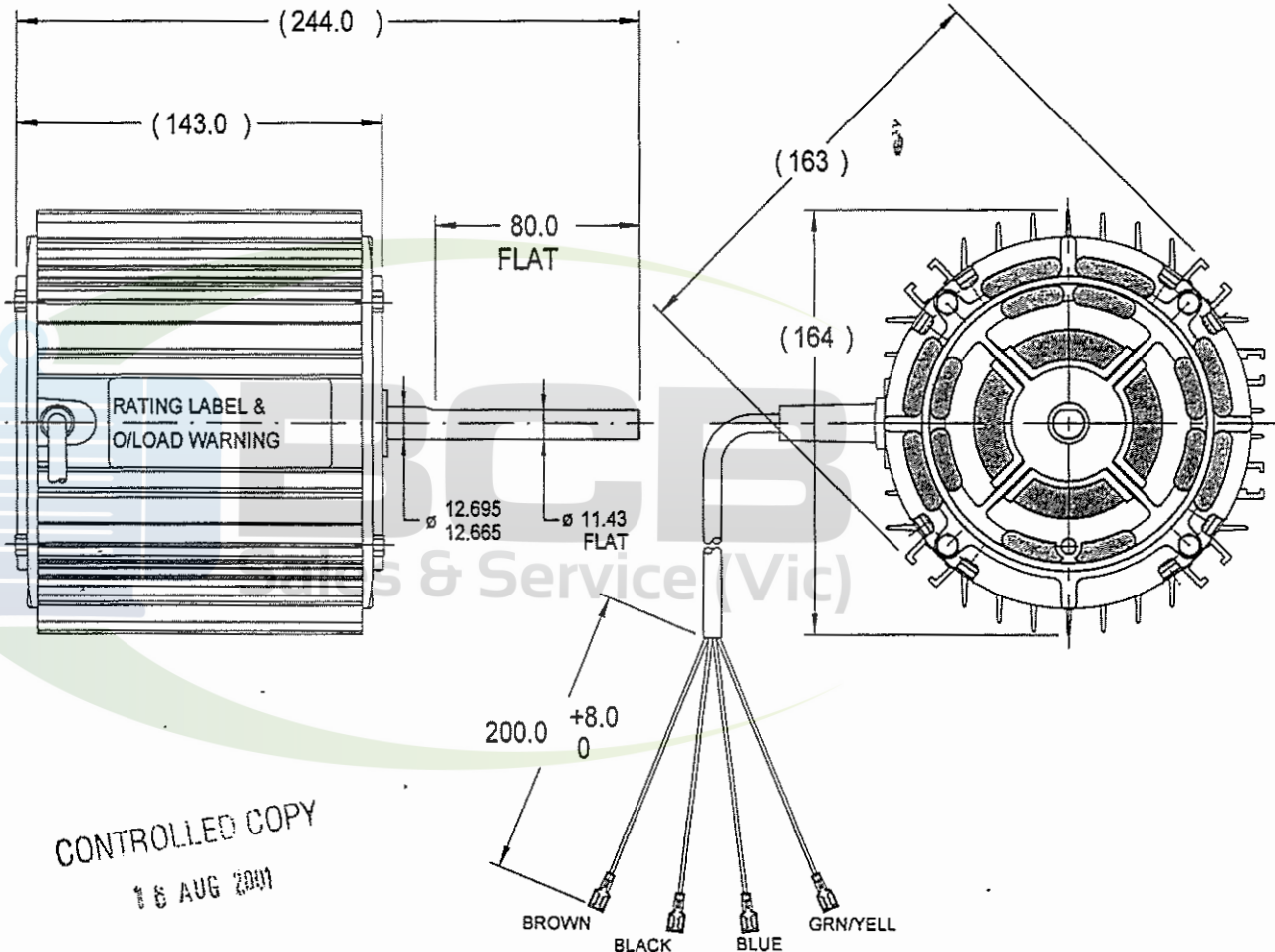


THIRD ANGLE PROJECTION

**MOTOR SPECIFICATION**

**80855BPVC-A11**

Q.R. No.	8007	CUSTOMER NO.						
CUSTOMER	BRAEMAR							
MOTOR RATING	VOLTS	240	Hz	50	Ph	1	Duty	AOM
	RPM	1260			4.3 AMPS			
	NOM. OUTPUT	600 WATTS						
ROTATION	CLOCKWISE DRIVE END							
CAPACITOR	START	.....	μF/V	RUN	15/440 μF/V			
ENCLOSURE	VENTED D/E E/SHIELD							
MOTOR TYPE	CSR	INSULATION CLASS	B130					
THERMAL PROTECTION	AUTO RESET OVERLOAD							
APPLICATION	FAN							
BEARING D.E.	6202 DDU C3 EA2	LUBRICATION	LONG LIFE WIDE RANGE					
BEARING N.D.E.	6202 DDU C3 EA2							
SUPPLY LEAD	FLEX 1050 ±30 W/ GROMMET							
EARTH PROVISION	VIA SUPPLY LEAD							
BASIC BUILD SPECIFICATION	305-698-02	PAINT/ COLOUR	NIL					
PERFORMANCE SPECIFICATION	SP85190-03							
CONNECTION DIAGRAM	393-402-01	RATING LABEL	SSTDAUTO.FMT					



CONTROLLED COPY  
16 AUG 2001



DESIGNED AND MANUFACTURED TO AUSTRALIAN STANDARDS & SPECIFICATIONS

N693

MODEL 80855BPVC-A11

VOLTS 240	R.P.M. 1260	CLASS B130	Hz 50
WATTS 600	TYPE CSR	μF/V S NIL	Ph 1
AMPS 4.3	DUTY AOM	μF/V R 15/440	PROT. AUTO

**WARNING**

MOTOR FITTED WITH INTERNAL AUTO RESET OVERLOAD AND MAY RESTART WITHOUT WARNING

**SPECIAL REQUIREMENTS:**

- 1) CAPACITOR SUPPLIED LOOSE
- 2) CONNECTION LABEL SUPPLIED LOOSE
- 3) FIT SLINGER TO SHAFT
- 4) FIT INSULATORS ON ALL TERMINALS
- 5) MOTOR SUPPLIED WITH 15mF / 440V CAP.

UNLESS OTHERWISE SPECIFIED : DIMENSIONS ARE IN MM. TOLERANCES

DECIMALS	ANGULAR
.X ± 1.0	± 30'
.XX ± 0.5	

THIS DRAWING REMAINS THE PROPERTY OF FASCO MOTORS AND MAY NOT BE USED, COPIED OR ISSUED WITHOUT WRITTEN PERMISSION FROM FASCO MOTORS

MAT'L & FINISH	
DRAWN	SYDN
CHECKED	KITTI
RELEASED	KITTI
SCALE	

**BCB SALES & SERVICE**  
PH : 03 9546 3833  
FAX : 03 9546 3356

BANGKRANG, MUANG NONGTHABURI DISTRICT, NONGTHABURI 11000 THAILAND

FRAME	MOTOR		
STATUS	R		
SHEET	DWG. NO.	80855BPVC-A11	
A3	REVISION	E	

MIC No. 003766  
BY: NUTAPONG  
Date: 25/01/01  
MIC ADD NAME PLATE