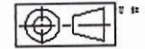


FASCO MOTORS MAY PROVIDE TECHNICAL ASSISTANCE TO OUR CUSTOMERS IN MANY AREAS. HOWEVER, SINCE FASCO MOTOR IS NOT AWARE OF ALL DATA CONCERNING THE USE AND APPLICATION OF THIS MOTOR, THE FITNESS OF THE MOTOR FOR THE APPLICATION MUST BE DETERMINED BY AND IS THE RESPONSIBILITY OF THE CUSTOMER.



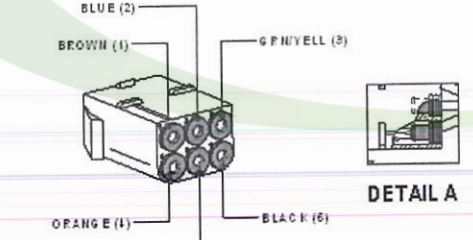
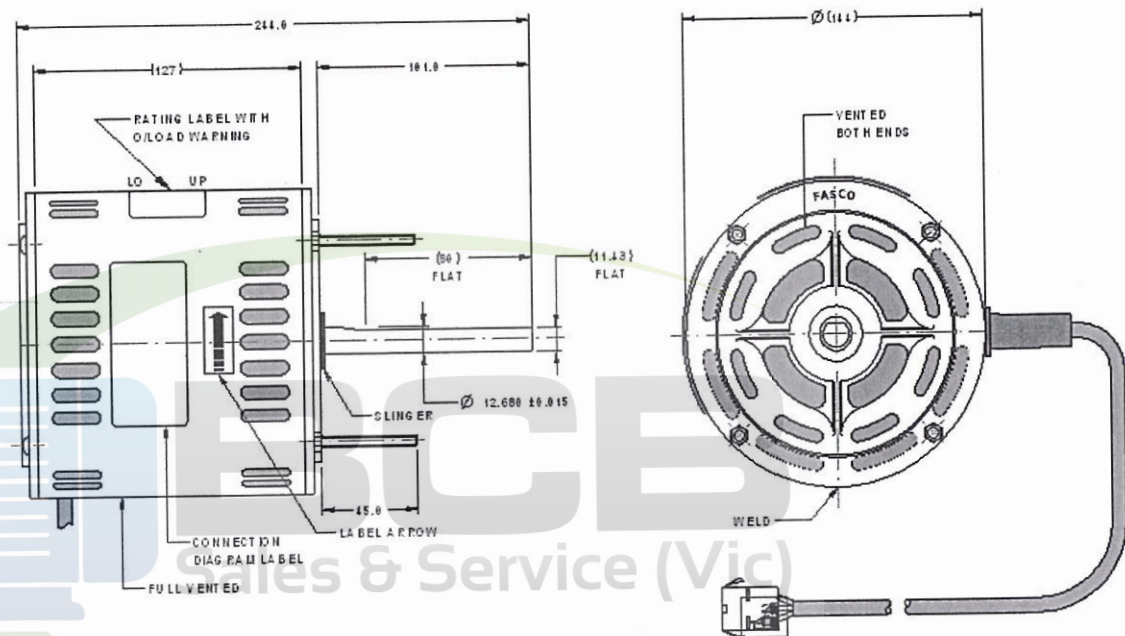
THIRD ANGLE PROJECT ION

MOTOR SPECIFICATION

80855B PVA-A17

D.R. No.	Y004089		CUSTOMER NO.		-	
CUSTOMER	OMEGA CLIMATE SYSTEM					
MOTOR RATING	VOLTS	240	Hz	50	Ph	1 Duty S1 A.O.M.
	R.P.M.	1300 (VAR)		3.80 AMPS		
NOM. OUTPUT	600 WATTS					
ROTATION	CLOCKWISE AT DRIVE END (REVERSIBLE)					
CAPACITOR	START	-----	μF/V	RUN	15/400 μF/V	
	ENCLOSURE					
VENTED						
MOTOR TYPE	CSR	INSULATION CLASS		B130		
HERMAL PROTECTION	AUTO RESET OVERLOAD					
APPLICATION	EVAPORATIVE COOLER - SHAFT VERT. UP					
BEARING D.E.	6202 CONTACT SEAL		LUBRICATION	LONG LIFE, WIDE RANGE		
BEARING N.D.E.	6202 CONTACT SEAL					
SUPPLY LEAD	FLEX 750 ±30 GREY W / TERMINAL					
EARTH PROVISION	VIA SUPPLY LEAD					
BASIC BUILD SPECIFICATION	305-570-31		PAINT/ COLOUR	PC GREY CASE PLAIN E/SHIELDS		
PERFORMANCE SPECIFICATION	SP 85042-01					
CONNECTION DIAGRAM	393-333-01		RATING LABEL	SSTD AUTO.FMT		

FINAL INSPECTED MOTORS MUST COMPLY WITH ELECTRIC MOTOR VIBRATION SPECIFICATION (E5049)



FASCO DESIGNED AND MANUFACTURED TO AUSTRALIAN STANDARDS & SPECIFICATIONS

C N693

MODEL: 80855BPVA-A17

VOLTS	240	R.P.M.	1300(VAR)	CLASS	B130	Hz	50
WATTS	600	TYPE	CSR	μF/V S	NL	Ph	1
AMPS	3.8	DUTY	AOM	μF/V R	15/400	PROT.	AUTO

WARNING MOTOR FITTED WITH INTERNAL AUTO RESET OVERLOAD AND MAY RESTART WITHOUT WARNING

- SPECIAL REQUIREMENTS:**
- 1) LEAD 381-825-01 TO BE SUPPLIED LOOSE.
 - 2) SLINGER TO BE FITTED TO SHAFT.
 - 3) CAPACITOR TYPE P2, NUT AND WASHER SPRING M8 SUPPLIED LOOSE.

UNLESS OTHERWISE SPECIFIED: DIMENSIONS ARE IN MM. TOLERANCES

DECIMALS	ANGULAR
.X ± 1.0	± 30'
.XX ± 0.1	

THIS DRAWING IS THE PROPERTY OF FASCO MOTORS AND IS NOT TO BE USED, COPIED OR REPRODUCED WITHOUT WRITTEN PERMISSION FROM FASCO MOTORS

BCB SALES & SERVICE

PH : 03 9546 3833
FAX : 03 9546 3356

DRAWN	PJP
CHECKED	PJP
RELEASED	KANAI
SCALE	N.T.S.

NAME	MOTOR	
STATUS	R	
REF	B042:855BV-600-MAD:OMEGA	
DWG. NO.	80855BPVA-A17	
REV	A	

H/C No. 012687
 BY: P/PAT
 Date: 2/10/5/10
 H/C RELEASED