

FASCO MOTORS MAY PROVIDE TECHNICAL ASSISTANCE TO OUR CUSTOMERS IN MANY AREAS. HOWEVER, SINCE FASCO MOTOR IS NOT AWARE OF ALL DATA CONCERNING THE USE AND APPLICATION OF THIS MOTOR, THE FITNESS OF THE MOTOR FOR THE APPLICATION MUST BE DETERMINED BY AND IS THE RESPONSIBILITY OF THE CUSTOMER.



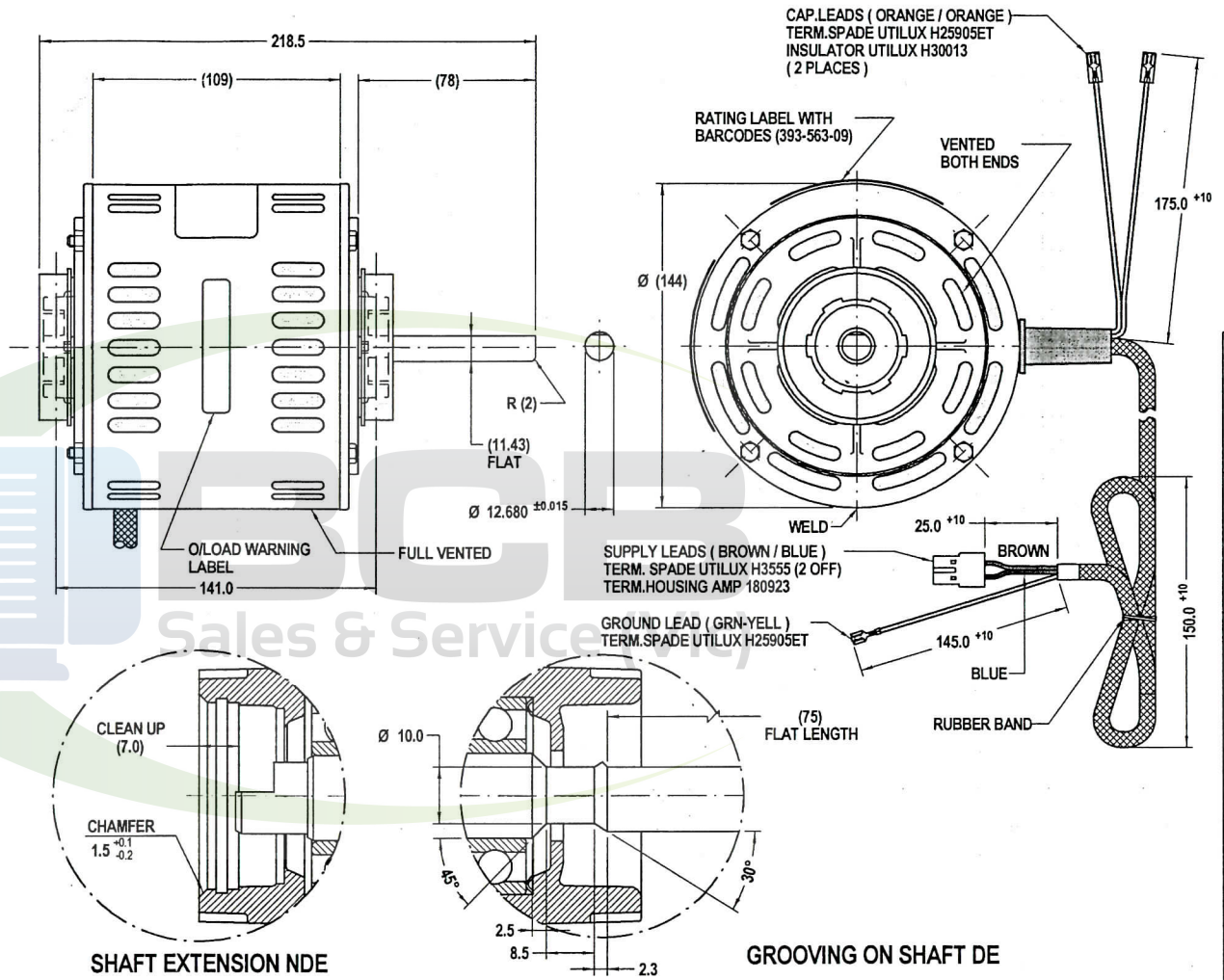
MOTOR SPECIFICATION

80855BNVA-A20

Q.R. No.	Y001074	CUSTOMER NO.	-
CUSTOMER	BRIVIS AUST		
MOTOR RATING	VOLTS	240	Hz 50 Ph 1 Duty S1 AOM
	RPM.	1240	4.2 AMPS
NOM. OUTPUT 315 WATTS			
ROTATION CLOCKWISE AT DRIVE END			
CAPACITOR	START	-----	µF/V RUN 15/440 µF/V
ENCLOSURE VENTED			
MOTOR TYPE	CSR	INSULATION CLASS	B130
THERMAL PROTECTION AUTO RESET OVERLOAD			
APPLICATION FAN - SHAFT HORIZONTAL			
BEARING D.E.	6202 DDU	LUBRICATION	LONG LIFE, WIDE RANGE
BEARING N.D.E.	6202 DDU		
SUPPLY LEAD SINGLE CORE 800 ±30 BRAIDED SLEEVING			
EARTH PROVISION VIA SUPPLIED LEAD			
BASIC BUILD SPECIFICATION	305-570-02	PAINT/ COLOUR	PC GREY CASE PLAIN E/SHIELDS
PERFORMANCE SPECIFICATION	SP85179-01		
CONNECTION DIAGRAM	393-402-04	RATING LABEL	563-09.FMT

FINAL INSPECTED MOTORS MUST COMPLY WITH ELECTRIC MOTOR VIBRATION SPECIFICATION (ES049)

THIRD ANGLE PROJECTION



315W HEATER 15246

MODEL 80855BNVA-A20

FASCO

VOLTS 240 WATTS 315 AMPS 4.2

R.P.M. 1240 TYPE CSR DUTY S1/AOM

CLASS B130 µF/V S NIL µF/V R 15/440

Hz 50 Ph 1 PROT. AUTO

N693

FASCO S/N

35.0

87.0

BCB SALES & SERVICE

PH : 03 9546 3833

FAX : 03 9546 3356

48

88. mt

Instr. Class B Serial No. 1009110121

UNLESS OTHERWISE SPECIFIED : DIMENSIONS ARE IN MM. TOLERANCES	MOTOR WEIGHT	6.5 kg.
DECIMALS .X ± 1.0 .XX ± 0.5	DRAWN	ORAN 28/06/01
ANGULAR ± 30°	CHECKED	PIPAT 18/12/02
	RELEASED	PIPAT 18/12/02
	SCALE	N.T.S.

FASCO THAILAND

297-8 MOO 3, BANGKRUAY - SAI NOI Rd., BANGKRANG, MUANG NONGTHABURI DISTRICT, NONGTHABURI 11000 THAILAND

FRAME	MOTOR	
STATUS	B179:855BV-315-KAD:BRIVIS	
SHEET	DWG. NO.	80855BNVA-A20
A3		E

MIC No. 006881
 By: NITTHAD
 Date: 18/1/2002
 MIC LEAD LENGTH WAS 375.0. THE LOOM LEAD WITH
 Note: TERM. HOUSING AMP.