

FASCO MOTORS MAY PROVIDE TECHNICAL ASSISTANCE TO OUR CUSTOMERS IN MANY AREAS. HOWEVER, SINCE FASCO MOTOR IS NOT AWARE OF ALL DATA CONCERNING THE USE AND APPLICATION OF THIS MOTOR, THE FITNESS OF THE MOTOR FOR THE APPLICATION MUST BE DETERMINED BY AND IS THE RESPONSIBILITY OF THE CUSTOMER.

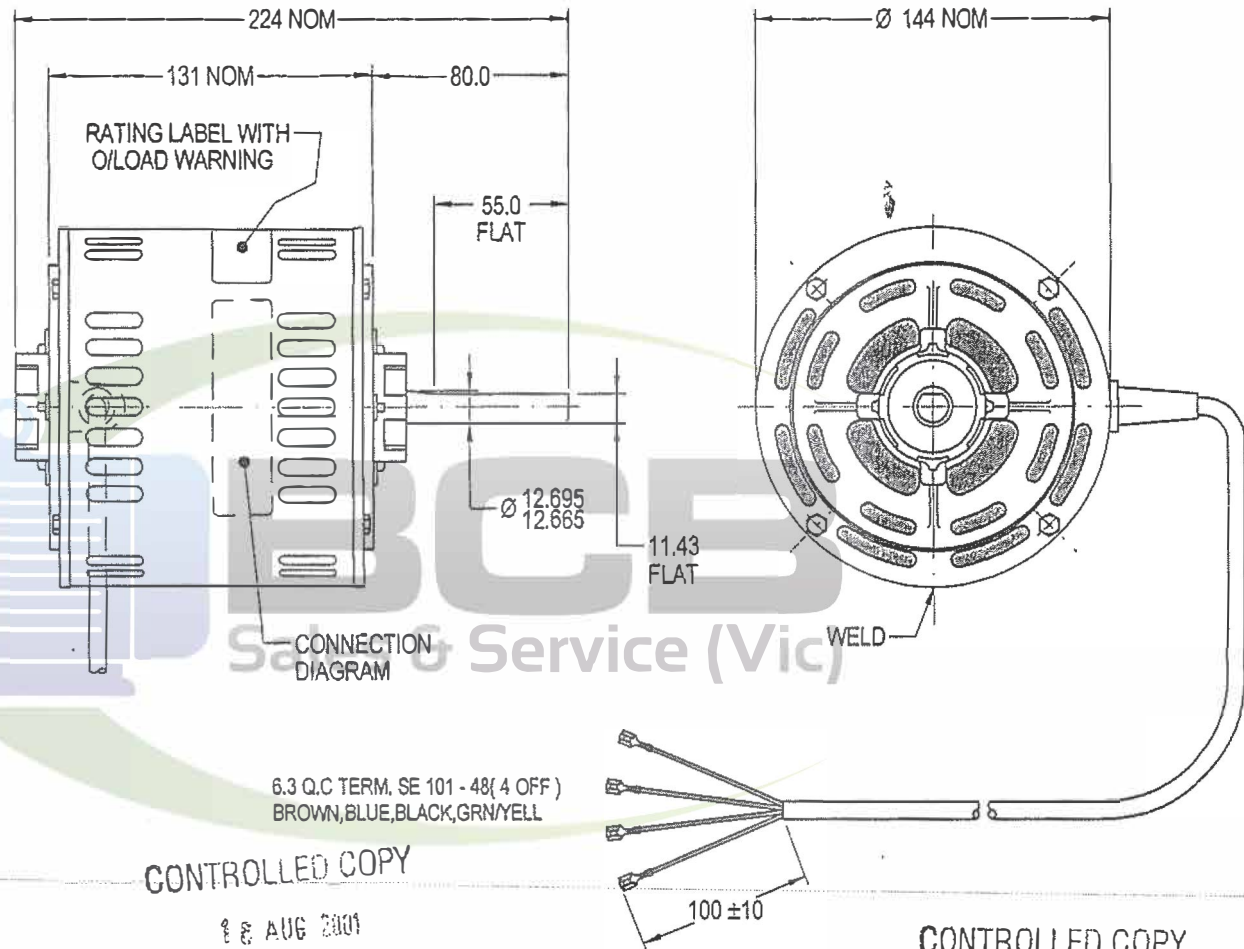


THIRD ANGLE PROJECTION

**MOTOR SPECIFICATION**

**80855BNVA-A15S**

Q.R. No.	Y000985	CUSTOMER NO.						
CUSTOMER	CELAIR							
MOTOR RATING	VOLTS	240	Hz	50	Ph	1	Duty	S1 AOM
	RPM	1270			2.9		AMPS	
	NOM. OUTPUT	425 WATTS						
ROTATION	CLOCKWISE DRIVE END							
CAPACITOR	START	-----	μF/V	RUN	10/440		μF/V	
ENCLOSURE	FULLY VENTED							
MOTOR TYPE	CSR	INSULATION CLASS	B130					
THERMAL PROTECTION	AUTO RESET OVERLOAD							
APPLICATION	FAN-EVAP COOLER							
BEARING D.E.	6202 DDU C3 EA2		LUBRICATION	LONG LIFE, WIDE RANGE				
BEARING N.D.E.	6202 DDU C3 EA2							
SUPPLY LEAD	FLEX 850 ±30 GREY							
EARTH PROMISION	VIA SUPPLIED LEAD							
BASIC BUILD SPECIFICATION	305-570-13		PAINT/ COLOUR	PC GREY CASE PLAIN E/SHIELDS				
PERFORMANCE SPECIFICATION	SP85189-01							
CONNECTION DIAGRAM	393-402-06		RATING LABEL	SSTDAUTO.FMT				



CONTROLLED COPY  
18 AUG 2001

CONTROLLED COPY  
18 AUG 2001

**FASCO** DESIGNED AND MANUFACTURED TO AUSTRALIAN STANDARDS & SPECIFICATIONS

**N693**

MODEL	80855BNVA-A15S		
VOLTS	240	R.P.M.	1270
WATTS	425	TYPE	CSR
AMPS	2.9	DUTY	S1AOM
		CLASS	B130
		Hz	50
		μF/V S NIL	Ph 1
		μF/V R	15/440
		PROT.	AUTO

**WARNING** MOTOR FITTED WITH INTERNAL AUTO RESET OVERLOAD AND MAY RESTART WITHOUT WARNING

**SPECIAL REQUIREMENTS:**  
1) CUSTOMER TO SUPPLY OWN CAPACITOR.  
2) MOTOR MUST BE LOAD TESTED.

UNLESS OTHERWISE SPECIFIED : DIMENSIONS ARE IN MM. TOLERANCES		MAT'L & FINISH	
DECIMALS	ANGULAR	DRAWN	EKACI
.X ± 0.3	± 30'	CHECKED	PIPA
.XX ± 0.1		RELEASED	KITTI
THIS DRAWING REMAINS THE PROPERTY OF FASCO MOTORS AND MAY NOT BE USED, COPIED OR ISSUED WITHOUT WRITTEN PERMISSION FROM FASCO MOTORS		SCALE	

**BCB SALES & SERVICE**  
PH : 03 9546 3833  
FAX : 03 9546 3356

BANGKANG, MUANG NONGNABURI UNIVERSITY,  
NONGNABURI 11000 THAILAND

FRAME	MOTOR	
STATUS	189:855BV-425-XAD:CELI	
SHEET	DWG. NO.	REVISION
A3	80855BNVA-A15S	A

MIC No. 003857  
By: EKACHAI  
Date: 23/03/01  
MIC: NEW MODEL RELEASE