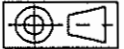


FASCO MOTORS MAY PROVIDE TECHNICAL ASSISTANCE TO OUR CUSTOMERS IN MANY AREAS. HOWEVER, SINCE FASCO MOTOR IS NOT RESPONSIBLE FOR THE APPLICATION OF ALL DATA CONCERNING THE USE AND APPLICATION OF THIS MOTOR, THE FITNESS OF THE MOTOR FOR THE APPLICATION MUST BE DETERMINED BY AND IS THE RESPONSIBILITY OF THE CUSTOMER.

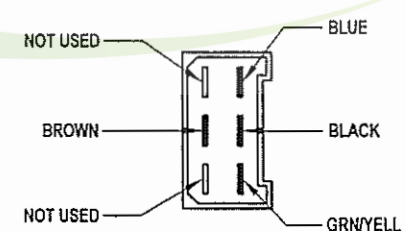
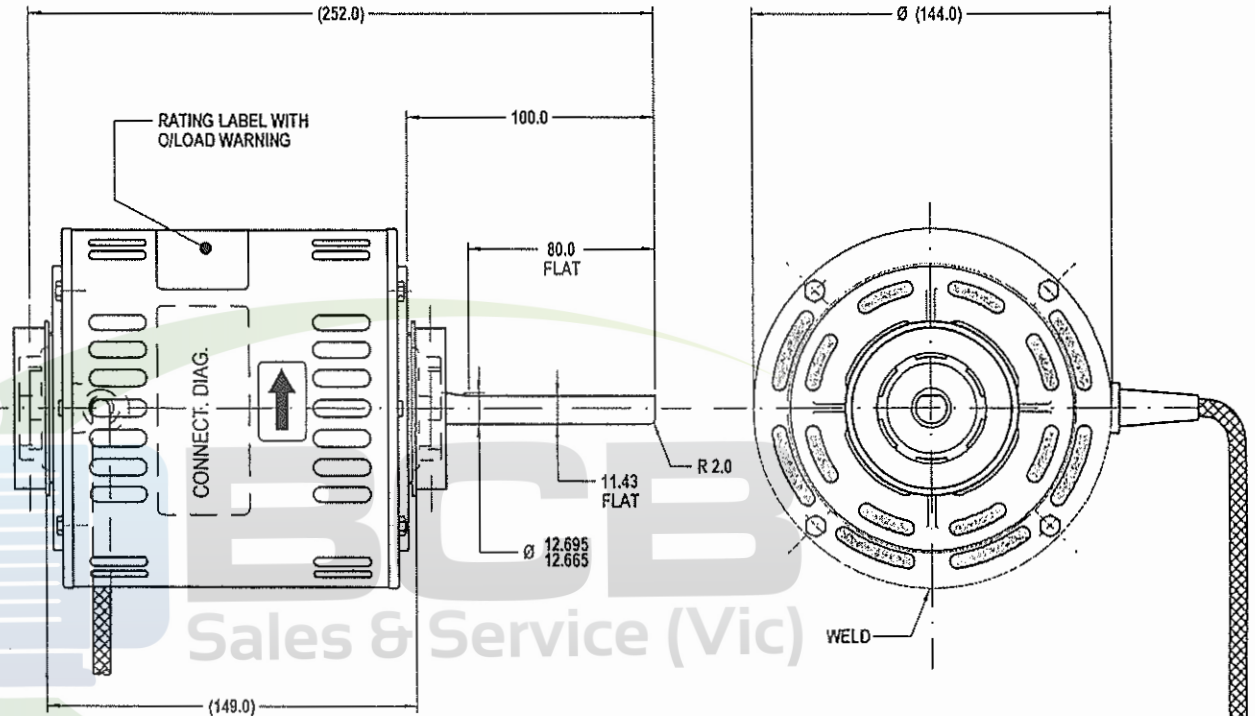


THIRD ANGLE PROJECTION

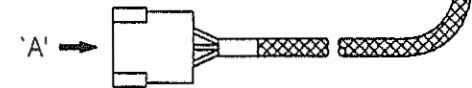
MOTOR SPECIFICATION

808554QVA-A11

| | | | | | | | | | |
|---------------------------|--------------------------------------|------------------|----------------|-----------------------------|----------|---|------|-----|------|
| Q.R. No. | 7606 | CUSTOMER NO. | F40P5114-750SA | | | | | | |
| CUSTOMER | TORIN AUSTRALIA | | | | | | | | |
| MOTOR RATING | VOLTS | 240 | Hz | 50 | Ph | 1 | Duty | AOM | |
| | RPM. | 1360 | | | 5.7 AMPS | | | | |
| | NOM. OUTPUT | 750 WATTS | | | | | | | |
| ROTATION | CLOCK WISE AT DRIVE END | | | | | | | | |
| CAPACITOR | START | ----- | µF/V | RUN | 15/440 | | | | µF/V |
| ENCLOSURE | FULLY VENTED | | | | | | | | |
| MOTOR TYPE | CSR | INSULATION CLASS | B130 | | | | | | |
| THERMAL PROTECTION | AUTO RESET OVERLOAD | | | | | | | | |
| APPLICATION | FAN | | | | | | | | |
| BEARING D.E. | 6202 ZZ | | LUBRICATION | LONG LIFE, WIDE RANGE | | | | | |
| BEARING N.D.E. | 6202 ZZ | | | | | | | | |
| SUPPLY LEAD | SINGLE CORE 460 ±30 BRAIDED SLEEVING | | | | | | | | |
| EARTH PROVISION | VIA SUPPLY LEAD | | | | | | | | |
| BASIC BUILD SPECIFICATION | 305-570-03 | | PAINT/ COLOUR | PC GREY CASE PLAIN E/SHIELD | | | | | |
| PERFORMANCE SPECIFICATION | SP85034-01 | | | | | | | | |
| CONNECTION DIAGRAM | 393-402-06 | | RATING LABEL | SSTDAUTO.FMT | | | | | |



ENLARGED VIEW IN DIRECTION OF ARROW 'A'



FASCO DESIGNED AND MANUFACTURED TO AUSTRALIAN STANDARDS & SPECIFICATIONS

C N693

| | |
|----------------|---------------|
| F40P5114-750SA | ddmmyyxxxx |
| MODEL | 808554QVA-A11 |

| | | | |
|-----------|-------------|--------------|-----------|
| VOLTS 240 | R.P.M. 1360 | CLASS B130 | Hz 50 |
| WATTS 750 | TYPE CSR | µFV S NIL | Ph 1 |
| AMPS 5.7 | DUTY AOM | µFV R 15/440 | PROT.AUTO |

WARNING MOTOR FITTED WITH INTERNAL AUTO RESET OVERLOAD AND MAY RESTART WITHOUT WARNING

87.0

SPECIAL REQUIREMENTS:
1.) CAPACITOR SUPPLIED BY CUSTOMER

UNLESS OTHERWISE SPECIFIED : DIMENSIONS ARE IN MM. TOLERANCES

| | |
|-----------|---------|
| DECIMALS | ANGULAR |
| .X ± 1.0 | ± 30' |
| .XX ± 0.5 | |

THIS DRAWING REMAINS THE PROPERTY OF FASCO MOTORS AND MAY NOT BE USED, COPIED OR ISSUED WITHOUT WRITTEN PERMISSION FROM FASCO MOTORS

| | |
|---------------|--------|
| MATL & FINISH | |
| DRAWN | NITHAD |
| CHECKED | PIPAT |
| RELEASED | KITTI |
| SCALE | |

BCB SALES & SERVICE
PH : 03 9546 3833
FAX : 03 9546 3356

| | |
|--------|----|
| FRAME | |
| STATUS | R |
| SHEET | A3 |

| | |
|-------------------------|---------------|
| MOTOR | |
| 034:8554V-750-KAD:TORIN | |
| DWG. NO. | 808554QVA-A11 |
| REVISION | B |

MIC No: 003766
By: ORAN
Date: 24/04/01
MIC ADD NAME PLATE AND UPDATE E/SHIELDS.

CONTROLLED COPY
8 AUG 2001