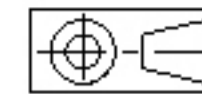


FASCO MOTORS MAY PROVIDE TECHNICAL ASSISTANCE TO OUR CUSTOMERS IN MANY AREAS. HOWEVER, SINCE FASCO MOTOR IS NOT AWARE OF ALL DATA CONCERNING THE USE AND APPLICATION OF THIS MOTOR, THE FITNESS OF THE MOTOR FOR THE APPLICATION MUST BE DETERMINED BY AND IS THE RESPONSIBILITY OF THE CUSTOMER.



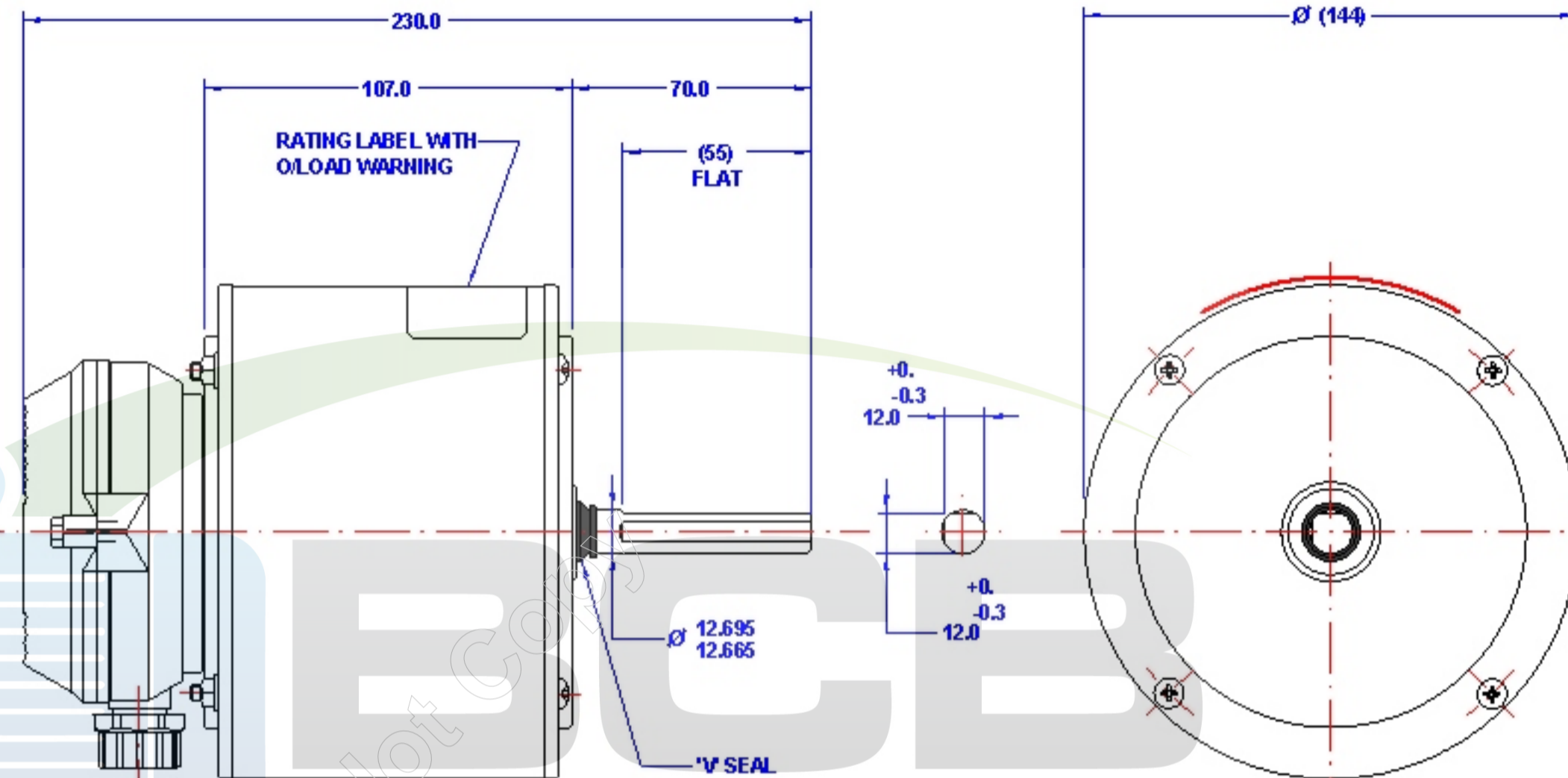
THIRD ANGLE PROJECTION

MOTOR SPECIFICATION

808554LTB-A80

Q.R. No.	Y001038	CUSTOMER NO.	-
CUSTOMER	VARIOUS		
MOTOR RATING	VOLTS	240	Hz 50 Ph 1 Duty ACM
	RPM.	1380	1.25 AMPS
	NOM. OUTPUT	180 WATTS	
ROTATION	CLOCKWISE DRIVE END (REVERSIBLE)		
CAPACITOR	START	—	μF/V RUN 4/440 μF/V
ENCLOSURE	TOTALLY ENCLOSED		
MOTOR TYPE	CSR	INSULATION CLASS	B130
THERMAL PROTECTION	AUTO RESET OVERLOAD		
APPLICATION	FAN - SHAFT HORIZONTAL		
BEARING D.E.	6202 ZZ	LUBRICATION	LONG LIFE, WIDE RANGE
BEARING N.D.E.	6202 ZZ		
SUPPLY LEAD	—		
EARTH PROVISION	ON NDE ENDSHIELD		
BASIC BUILD SPECIFICATION	305-570-05	PAINT/ COLOUR	PC GREY CASE PLAIN E/SHIELDS
PERFORMANCE SPECIFICATION	SP85072-01		
CONNECTION DIAGRAM	393-333-03	RATING LABEL	SSTDAUTO.FMT

FINAL INSPECTED MOTORS MUST COMPLY WITH ELECTRIC MOTOR VIBRATION SPECIFICATION (ES049)



MIC No. 010228

By: MUNTANA Date: 15/08/06

MIC ADD NOTE AT SPECIAL REQUIREMENTS PART COVER Note: CONNECTION LABEL ON THE INSIDE OF CAPACITOR COVER



DESIGNED AND MANUFACTURED TO AUSTRALIAN STANDARDS & SPECIFICATIONS

N693		dmmypxxx	
MODEL	808554LTB-A80		
VOLTS 240	R.P.M. 1380	CLASS B130	Hz 50
WATTS 180	TYPE CSR	μF/V S NIL	Ph 1
AMPS 1.25	DUTY ACM	μF/V R 4/440	PROT. AUTO

WARNING MOTOR FITTED WITH INTERNAL AUTO RESET OVERLOAD AND MAY RESTART WITHOUT WARNING

- SPECIAL REQUIREMENTS:
- 1)_WEATHERPROOF MOTORS TO ES050
 - 2)_FIT CONNECTION LABEL ON THE INSIDE OF CAPACITOR COVER

UNLESS OTHERWISE SPECIFIED : DIMENSIONS ARE IN MM TOLERANCES		MOTOR WEIGHT	6.4 kg.
DECIMALS	ANGULAR		
.X ± 1.0	± 30'		
.XX ± 0.5			
THIS DRAWING REMAINS THE PROPERTY OF FASCO MOTORS AND MAY NOT BE USED OR REPRODUCED WITHOUT WRITTEN PERMISSION FROM FASCO MOTORS		DRAWN	NITHAD 28/03/01
		CHECKED	PIPAT 15/08/06
		RELEASED	JITWAT 16/08/06
		SCALE	N.T.S.



297-8 MOO 3, BANGKRUAY - SAI NOI RD., BANGKRANG, MUANG NONG HABURI DISTRICT, NONG HABURI 11000 THAILAND

FRAME	MOTOR
STATUS	B072:8554T-180-XCD
SHEET	DWG. NO. 808554LTB-A80
A3	REVISION E