

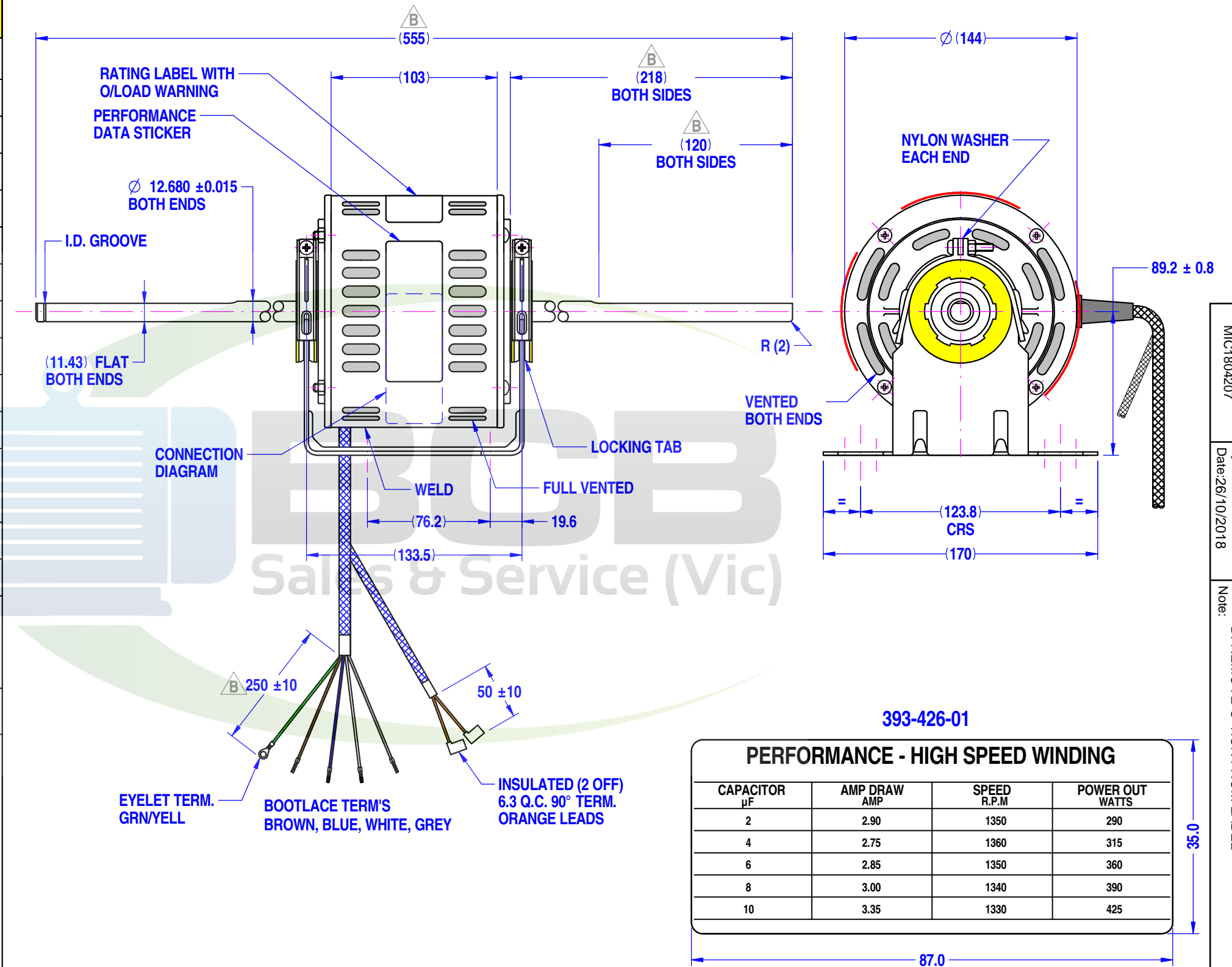
MOTOR SPECIFICATION

8061S109-01S

Q.R. No.	-	CUSTOMER NO.	-
CUSTOMER	Fasco Australia		
MOTOR RATING	VOLTS	240	Hz 50 Ph 1 Duty AOM
	RPM.	1330	3.35 AMPS
	NOM. OUTPUT	425 WATTS	
ROTATION	ANTI CLOCKWISE AT LEAD END		
CAPACITOR	START	-----	μF/V RUN 10/440 μF/V
ENCLOSURE	FULLY VENTED		
MOTOR TYPE	CSR	INSULATION CLASS	B130
THERMAL PROTECTION	AUTO RESET OVERLOAD		
APPLICATION	FAN CENTRIF - SHAFT HORIZONTAL		
BEARING D.E.	6202ZZ	LUBRICATION	LONG LIFE WIDE RANGE
BEARING N.D.E.	6202ZZ		
SUPPLY LEAD	SINGLE CORE 1300±30 W/ BRAIDED SLEEVING		
EARTH PROVISION	VIA SUPPLY LEAD		
BASIC BUILD SPECIFICATION	305-570-02	PAINT/ COLOUR	PC GREY PLAIN E/SHIELDS
PERFORMANCE SPECIFICATION	SP85038-02		
CONNECTION DIAGRAM	393-425-03	RATING LABEL	SSTDAUTO.FMT

FINAL INSPECTED MOTORS MUST COMPLY WITH ELECTRIC MOTOR VIBRATION SPECIFICATION (ES049)

THIRD ANGLE PROJECTION.



CAPACITOR μF	AMP DRAW AMP	SPEED R.P.M	POWER OUT WATTS
2	2.90	1350	290
4	2.75	1360	315
6	2.85	1350	360
8	3.00	1340	390
10	3.35	1330	425

FASCO DESIGNED AND MANUFACTURED TO AUSTRALIAN STANDARDS & SPECIFICATIONS

MODEL 8061S109-01S

VOLTS 240 R.P.M. 1330 CLASS B130 Hz 50
 WATTS 425 TYPE CSR μF/V S NIL Ph 1
 AMPS 3.35 DUTY AOM μF/V R 10/440 PROT. AUTO

WARNING MOTOR FITTED WITH INTERNAL AUTO RESET OVERLOAD AND MAY RESTART WITHOUT WARNING

- SPECIAL REQUIREMENTS:**
- 1)_INSULATORS SE101-15 TO BE FITTED TO BOTH FLAG TERMINALS.
 - 2)_MOTOR TO BE IN SINGLE CARTON.
 - 3)_CAPACITOR SUPPLIED BY CUSTOMER.

UNLESS OTHERWISE SPECIFIED : DIMENSIONS ARE IN MM. TOLERANCES		
DECIMALS	ANGULAR	
.X ± 1.0	± 30'	
.XX ± 0.1		
THIS DRAWING REMAINS THE PROPERTY OF FASCO MOTORS AND MAY NOT BE USED, COPIED OR ISSUED WITHOUT WRITTEN PERMISSION FROM FASCO MOTORS		
MOTOR WEIGHT	7.1 kg.	
DRAWN	muntana	12/07/2006
CHECKED	Pipat	27/10/2018
RELEASED	Kanapote	01/11/2018
SCALE	N.T.S.	

FASCO THAILAND

29/7-8 MOO 3, BANGKRUAY - SAINOI Rd., BANGKRANG, MUANG NONTABURI DISTRICT, NONTABURI 11000 THAILAND

FRAME	MOTOR	
STATUS	R	
SHEET	DWG. NO.	REVISION
A3	8061S109-01S	D

MIC1804207
 By: Veeranut Date:26/10/2018
 MIC D: REMOVE C-TICK FROM LABEL