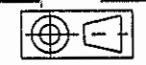


FASCO MOTORS MAY PROVIDE TECHNICAL ASSISTANCE TO OUR CUSTOMERS IN MANY AREAS. HOWEVER, SINCE FASCO MOTOR IS NOT AWARE OF ALL DATA CONCERNING THE USE AND APPLICATION OF THIS MOTOR, THE FITNESS OF THE MOTOR FOR THE APPLICATION MUST BE DETERMINED BY AND IS THE RESPONSIBILITY OF THE CUSTOMER.

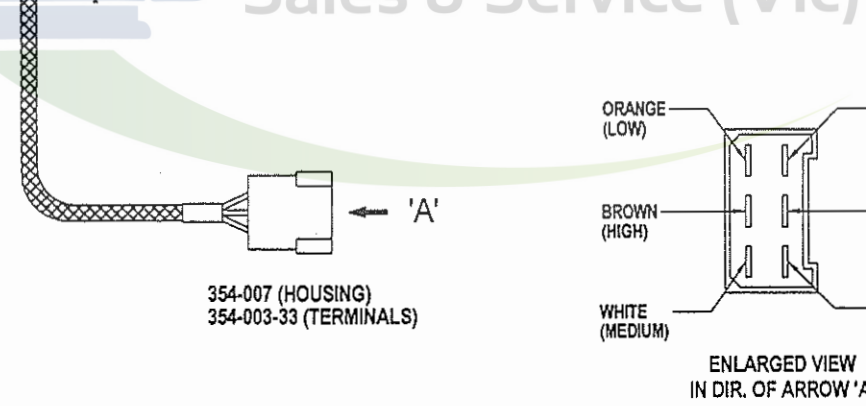
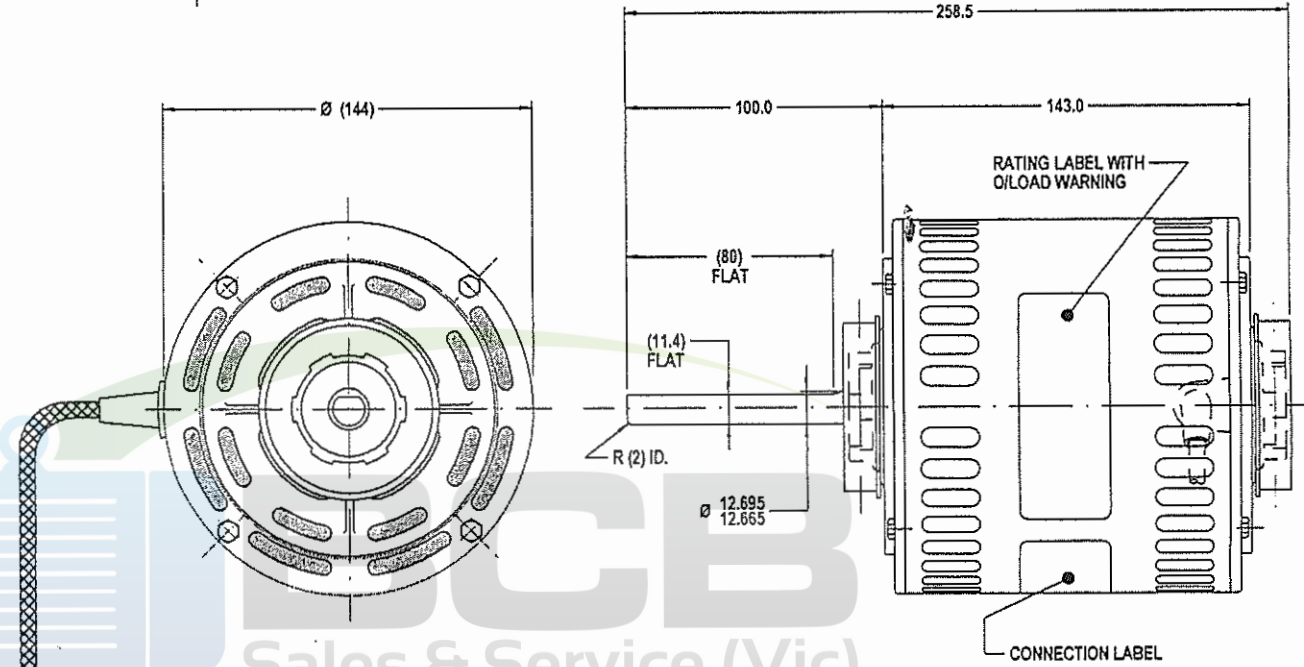


THIRD ANGLE PROJECTION

MOTOR SPECIFICATION

8061S082-18

Q.R. No.	6307	CUSTOMER NO.	90434
CUSTOMER	VULCAN		
MOTOR RATING	VOLTS	240	Hz 50 Ph 1 Duty AOM
	RPM	1200	4.4 AMPS
	NOM. OUTPUT	600 WATTS	
ROTATION	CLOCK WISE AT DRIVE END		
CAPACITOR	START	-----	μF/V RUN 15/440 μF/V
ENCLOSURE	FULLY VENTED		
MOTOR TYPE	CSR	INSULATION CLASS	B130
THERMAL PROTECTION	AUTO RESET OVERLOAD		
APPLICATION	FAN MOTOR		
BEARING D.E.	6202 ZZ	LUBRICATION	LONG LIFE, WIDE RANGE
BEARING N.D.E.	6202 ZZ		
SUPPLY LEAD	SINGLE CORE 350 ±30 BRAIDED SLEEVING		
EARTH PROVISION	VIA SUPPLY LEAD		
BASIC BUILD SPECIFICATION	305-570-12	PAINT/ COLOUR	PC BLACK CASE PLAIN E/SHIELDS
PERFORMANCE SPECIFICATION	SP85026-04		
CONNECTION DIAGRAM	393-081	RATING LABEL	SSTDAUTO.FMT



354-007 (HOUSING)
354-003-33 (TERMINALS)

CONTROLLED COPY
18 AUG 2001

FASCO DESIGNED AND MANUFACTURED TO AUSTRALIAN STANDARDS & SPECIFICATIONS

C N693

90434	ddmmyyxxxx
MODEL	8061S082-18

VOLTS 240 R.P.M. 1300 CLASS B130 Hz 50
WATTS 550 TYPE CSR μF/V S NL Ph 1
AMPS 3.8 DUTY AOM μF/V R 15/440 PROT.AUTO

WARNING MOTOR FITTED WITH INTERNAL AUTO RESET OVERLOAD AND MAY RESTART WITHOUT WARNING

SPECIAL REQUIREMENTS:
1) SOUTH CORP PART NUMBER 90434 TO BE SHOWN ON THE RATING LABEL AND THE DELIVERY DOCKET
2) RATING LABEL DATA AS PER CUSTOMER REQUIREMENTS (REFER 305-731-00)

UNLESS OTHERWISE SPECIFIED: DIMENSIONS ARE IN MM. TOLERANCES

DECIMALS	ANGULAR
X ± 1.0	± 30'
XX ± 0.5	

MOTOR WEIGHT X.X kg.

DRAWN	SYDNEY	10/11/94
CHECKED	KITTI	25/07/01
RELEASED	KITTI	25/07/01
SCALE	N.T.S.	

THIS DRAWING REMAINS THE PROPERTY OF FASCO MOTORS AND MAY NOT BE USED, COPIED OR REPRODUCED WITHOUT WRITTEN PERMISSION FROM FASCO MOTORS

FASCO THAILAND
297-8 MOO 3, BANGKRUAY - SAI NOI RD.,
BANGKRAENG, MUANG NONTHABURI DISTRICT,
NONTHABURI 11000 THAILAND

FRAME	MOTOR	
STATUS	026:8555V-600-KAD:ILEC	
SHEET	DWG. NO.	REVISION
A3	8061S082-18	L

MIC No. 003766
BY: ORAN
Date: 25/07/01
MIC ADD NAME PLATE AND UP DATE E/SHIELDS