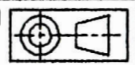


NOTE : BROOK CROMPTON BETTS IS HAPPY TO PROVIDE TECHNICAL ASSISTANCE TO OUR CUSTOMERS IN MANY AREAS. HOWEVER, SINCE BROOK CROMPTON BETTS IS NOT AWARE OF ALL DATA CONCERNING THE USE AND APPLICATION OF THIS MOTOR, THE STABILITY OF THE MOTOR FOR THE APPLICATION MUST BE DETERMINED BY AND IS THE RESPONSIBILITY OF THE CUSTOMER.

DWG 500543-03A

REV D MIC No SAB001

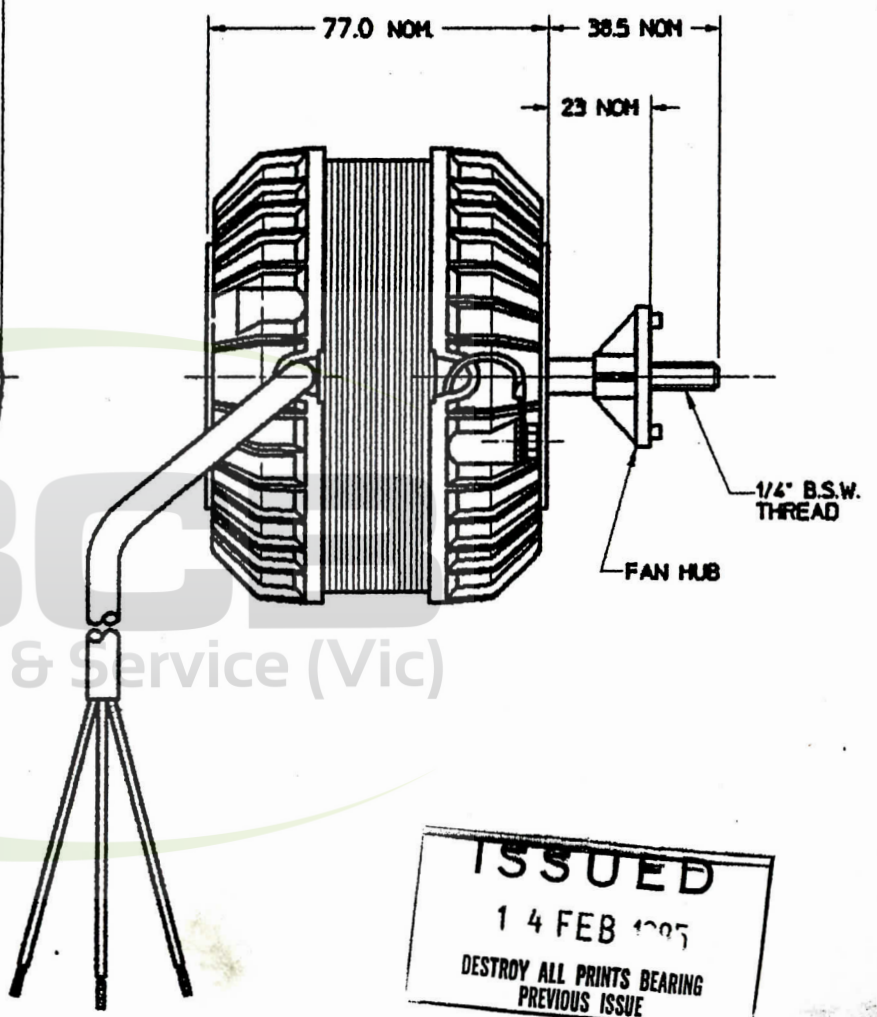
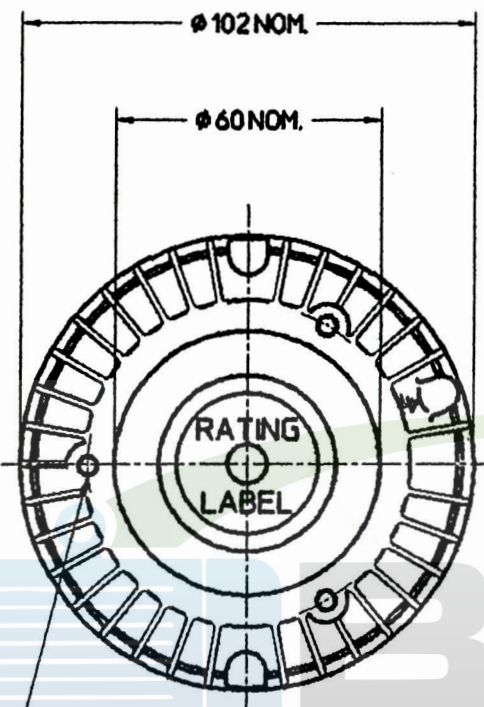
BY DATE db 09.02.95



3RD ANGLE PROJECTION

# MOTOR SPECIFICATION

MOTOR No.	BCB No.	500543-03A	
	CUSTOMER	KIRBY	
Q.R. No.	CAPACITOR	uf/V	
POWER OUTPUT	35 Watts	START	NIL
MOTOR TYPE	SH/POLE	RUN	NIL
SUPPLY	VOLTS	HERTZ	PHASE
	240	50	SINGLE
ENCLOSURE	TOTALLY ENCLOSED		
PEED (RPM)	1300	WINDING TYPE	
ROTATION	ANTICLOCKWISE (DRIVE END)		
INSULATION CLASS	E 120	DUTY	AOM.
THERMAL PROTECTION	AUTO RESET		
SUPPLY CURRENT	0.63	AMPS AT RATED OUTPUT	
APPLICATION	FAN DRIVE		
MOUNTING BEARING & LUBRICATION	TAPPED HOLES IN ENDSHIELD BALL/WIDE TEMP. RANGE		
SUPPLY LEAD	COLOUR	GREY	
	<input checked="" type="checkbox"/> FLEX	LENGTH	900 (45 STRIPPED)
	<input type="checkbox"/> SINGLE CORE	TERMINATION	BOOTLACES
		FIXING	NIL
EARTH PROVISION	VIA SUPPLY LEAD.		
BASIC BUILD SPECIFICATION	_____		
PERFORMANCE SPECIFICATION	SP54012-01		
MOUNTING SPECIFICATION	_____		
CONNECTION DIAGRAM	NIL	PAINT SPEC.	NIL



3 HOLES 3/16 BSW  
EQUISPACED ON 71.42 PCD.

**ISSUED**  
14 FEB 1995  
DESTROY ALL PRINTS BEARING  
PREVIOUS ISSUE

**CONTROLLED COPY**



- SPECIAL REQUIREMENTS**
- SCREWS 3/16" BSW X 8.0mm PAN POSI HD. & SHAKEPROOF EXTERNAL WASHERS SUPPLIED LOOSE (3 OFF EACH)
  - MAX. SCREW PENETRATION 6.0mm

UNLESS OTHERWISE SPECIFIED  
DIMENSIONS IN MILLIMETRES  
GENERAL TOLERANCES  
1) PLACE OF DECIMALS ± 0.3  
2) PLACE OF DECIMALS ± 0.1  
ANGLES ± 30 MINUTES  
SURFACE FINISHES SPECIFIED IN  
MICRO METRES MAX 3.0  
SYMBOLS -A.3.T00  
THIS DRAWING REMAINS THE PROPERTY OF  
BROOK CROMPTON BETTS PTY. LIMITED  
MAY NOT BE USED, COPIED OR ISSUED  
WITHOUT WRITTEN PERMISSION

	BY	
DRAWN	AB	10.
CHECKED	SW	14.
RELEASED	SW	14.
SCALE		

BCB SALES & SERVICE  
PH : 03 9546 3833  
FAX : 03 9546 3356

FRAME	MOTOR
DRG. No.	500543-03A
REVISION	D

DO NOT SCALE DRAWING ACN 000 010 944